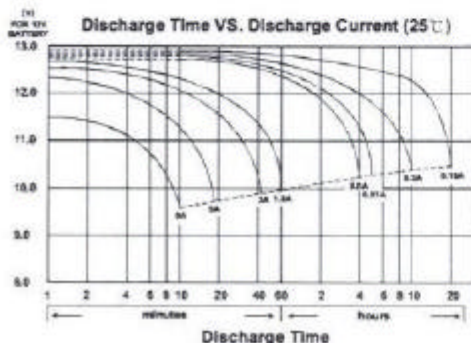
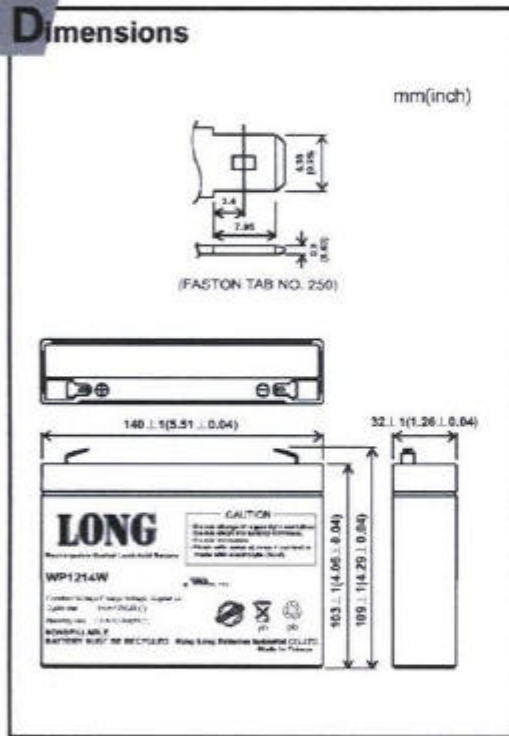


BP-5L

DC Output : 24V / 3.5A
 Dimension : 241 x 146 x 39 mm
 Indicators: 3 LED's (green, yellow, red)
 Weight : 3.6 Kg
 Color : Ivory



Dimensions



Specifications

Nominal Voltage (V) 12V

Nominal Capacity
 20hour rate (0.15A to 10.50V) 3Ah
 10hour rate (0.3A to 10.50V) 3Ah
 5hour rate (0.51A to 10.20V) 2.55Ah
 1C (3.0A to 9.60V) 1.35Ah
 3C (9.0A to 9.60V) 1.08Ah

Weight 1.35kg(2.98Lbs.)

Internal Resistance (at 1KHz) 22 mΩ

Maximum Discharge Current with Standard Terminals : 60A

Maximum Short-Duration Discharge Current : 120A

Operating Temperature Range
 Charge 0°C(32°F) to 40°C (104°F)
 Discharge -15°C(5°F) to 50°C (122°F)
 Storage -15°C(5°F) to 40°C (104°F)

Charge Retention (shelf life) at 20°C (68°F)
 1 month 92%
 3 month 90%
 6 month 80%

Charging Methods at 25°C(77°F)

Cycle use:

Charging Voltage 14.4 to 15.0V
 Maximum Charging Current : 0.9A

Standby use :

Float Charging Voltage 13.50 to 13.80V
 No current limit required

Life expectancy :

Cycle Use :

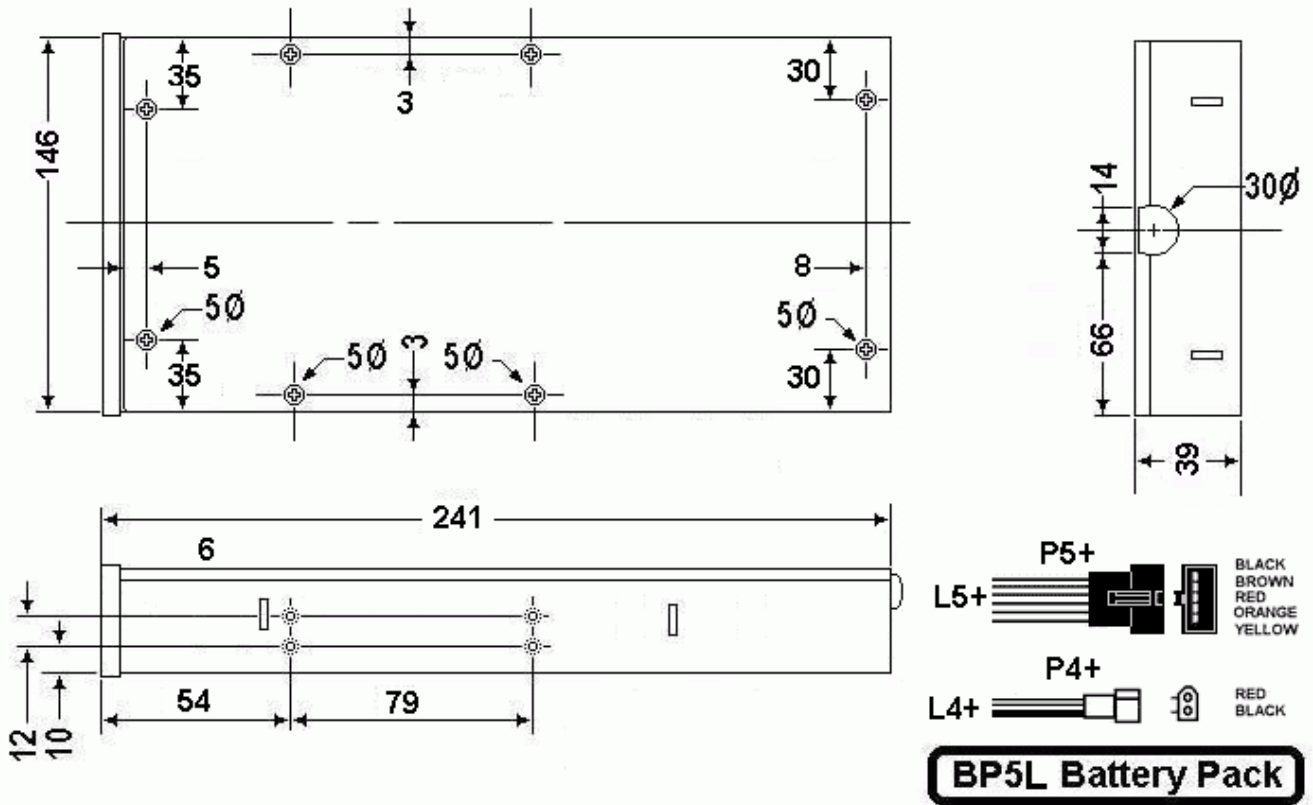
100% depth of discharge 250 cycles
 80% depth of discharge 350 cycles
 50% depth of discharge 550 cycles

Standby Use : 3~5years

Case Material ABS

(94-HB & 94V-0 flame retardant case)

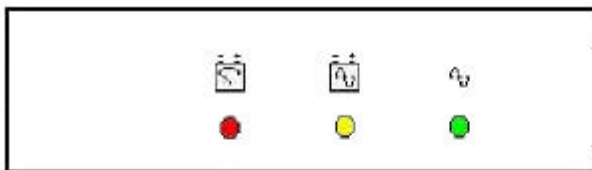
Terminal F2



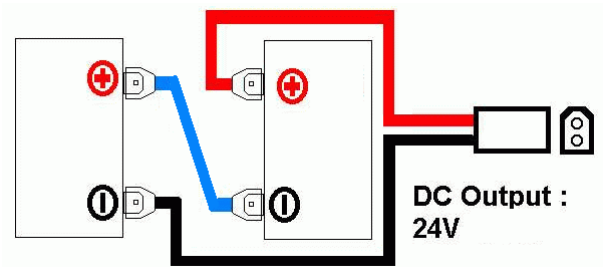
All measurements in millimeters [mm]

Dimension : 241mm x 146mm x 39mm (5.25" Disc Drive)

Panel



Connection



LED Indication and Alarm Table

Utility States	LED Indicator state	Buzzer state
Normal		
Blackout, UPS On (24~21.5V)		Beep.. Beep.. Beep.. (3 seconds Interval)
Battery Low (21.5~18.5V)		Beep..... (sounds quickly and short)
AC Normal / Battery Fail		