

LAD 12PFL

Desktop

96~120W

Country of Origin : China
Operating Temperature : 0 ~ 40° C
Dimension : 167 x 65 x 35 mm
Approvals / Marks : c-UL, TÜV, CE



Features:

Wide range 100~240VAC / 47~63Hz

Inlet: standard: IEC320-C14

Output connector: standard Mini Din 4-Pin or customer requirement

Overload & short circuit protection

100% burn-in tested for LCD monitor, consumer

1 years warranty

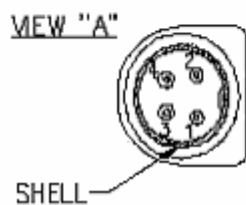
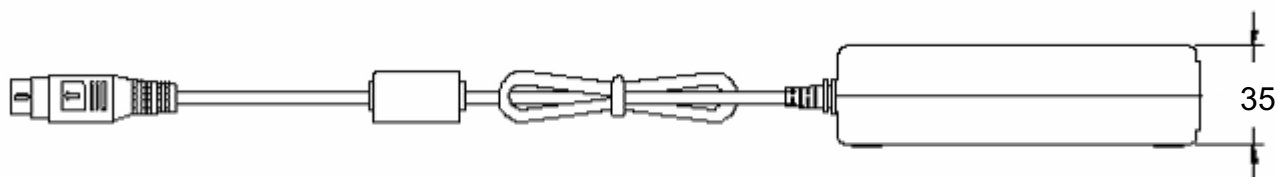
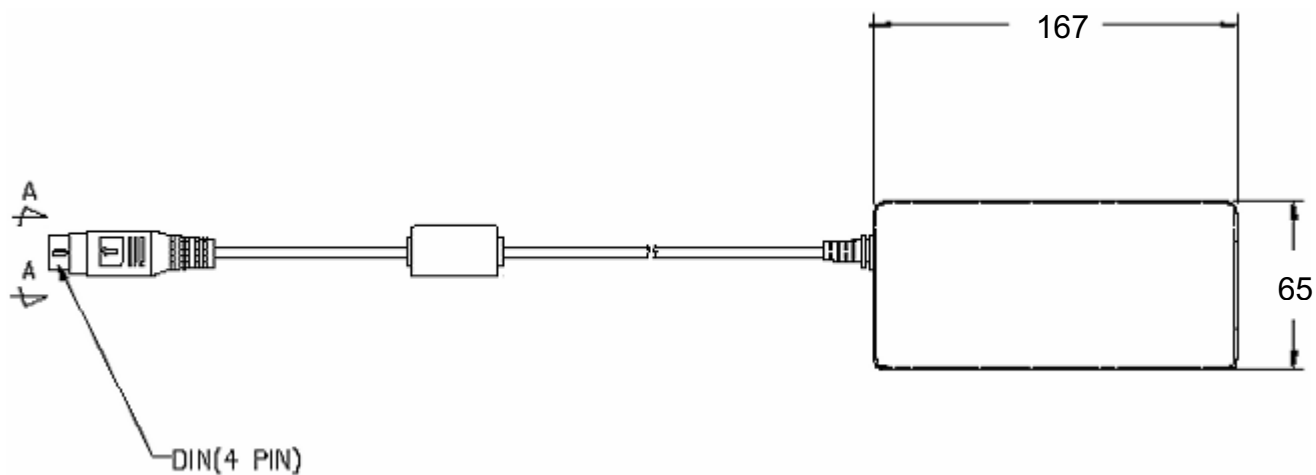
Specification:

		OUTPUT						
Model	MODEL	Voltage	min. Load	max. Load	Tolerance	R & Noise (max)	Efficiency (min)	Max. Power
	LAD12-PFLB8	12V	0A	8A	±5%	120 mV	80%	96W
	LAD12-PFLC0	15V	0A	6.5A	±5%	150 mV	80%	97.5W
	LAD12-PFLK6	19V	0A	6.3A	±5%	190 mV	80%	120W
	LAD12-PFLE5	24V	0A	5A	±5%	240 mV	80%	120W
INPUT	Voltage	90 ~ 264VAC						
	Frequency	47 ~ 63Hz						
	Current	< 2A @ 90VAC						
	Inrush Current	< 50A peak @ 220VAC						
	Leakage Current	< 0.75mA						
	P.F.C.	> 0.9 @ 110VAC						
PROTECTION	Overload	Shutdown						
	Over Voltage	< 16.5V zener diode on output terminal						
	Short Circuit	Shutdown						
	Short Circuit	2A fuse						
OTHERS	Setup time	< 3s						
	Holdup time	<50ms						
	Holdup time	5ms @ full load, nominal line						
	Isolation Resistance (min)	10M Ohm / 500VDC						
Environment	Temperature	Operating: 0 ~ 40°C / Storage: 0 ~ 60°C						
	Humidity	Operating: 20 ~ 90% / Storage: 20 ~ 90%						
Connection	Input	standard: IEC320-C14 (3pin)						
	Output	standard Mini Din 4-Pin or customer requirement						
MTBF		100.000 hrs / min. 5000yOn/Off without fail						
SAFETY		UL / c-UL / TÜV EN60950						
EMI		FCC Class B / CISPR Class B						
WEIGHT		N.W.: 0.7 kg						

LAD 12PFL

Desktop

Drawing: all dimensiones in mm



Cable Spec : UL/CSA 1571 14AWG 80°C 30V