

SYS1196


Plug-in


5~6 W

Country of Origin: China

Operating Temperature: 0 °C to 40° C

Dimension: 55 x 28 x 42 mm

Efficiency Level: 

Approvals / Marks: 

GREEN MODE



Features:

Available with different plug types: EU, GB, US, AU

Wide input range AC 90 V to 264 V / 47 Hz to 63 Hz

Standard DC output plug: 5.5 x 2.1 x 11mm or customer requirement

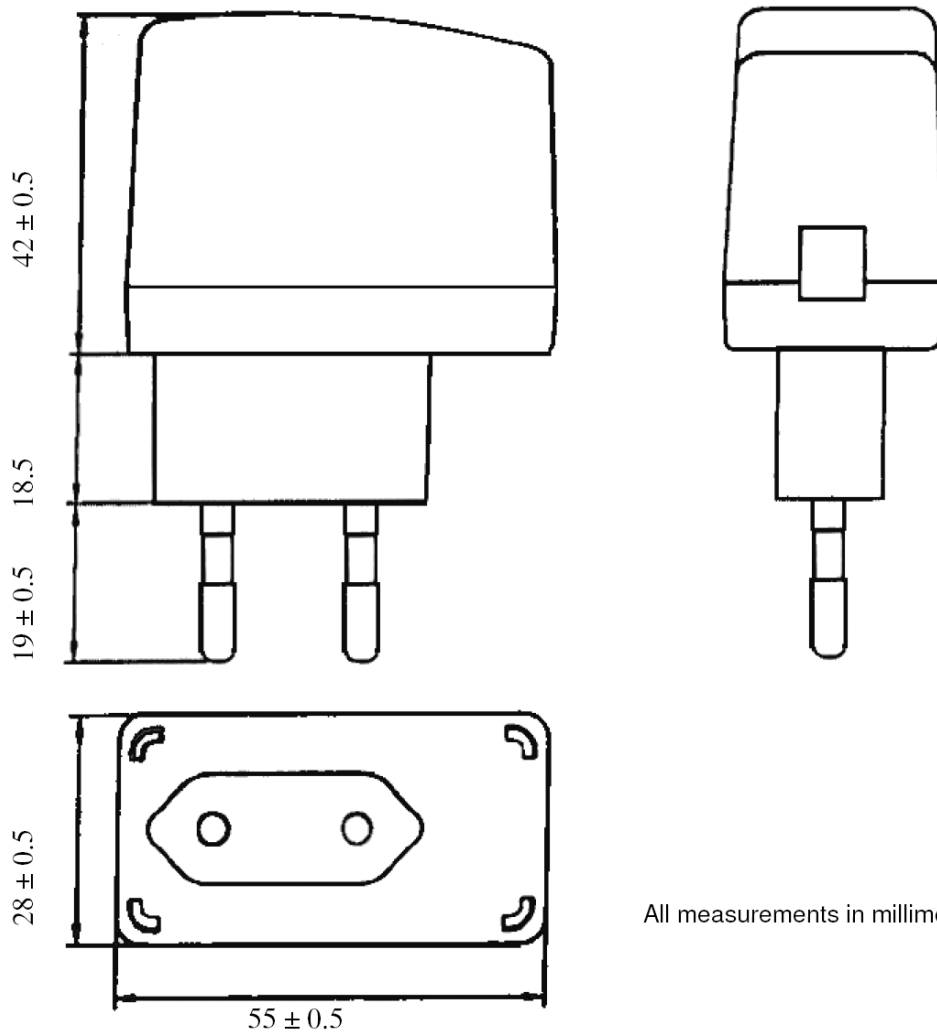
Overload, Overvoltage & Short Circuit protection

1 year warranty

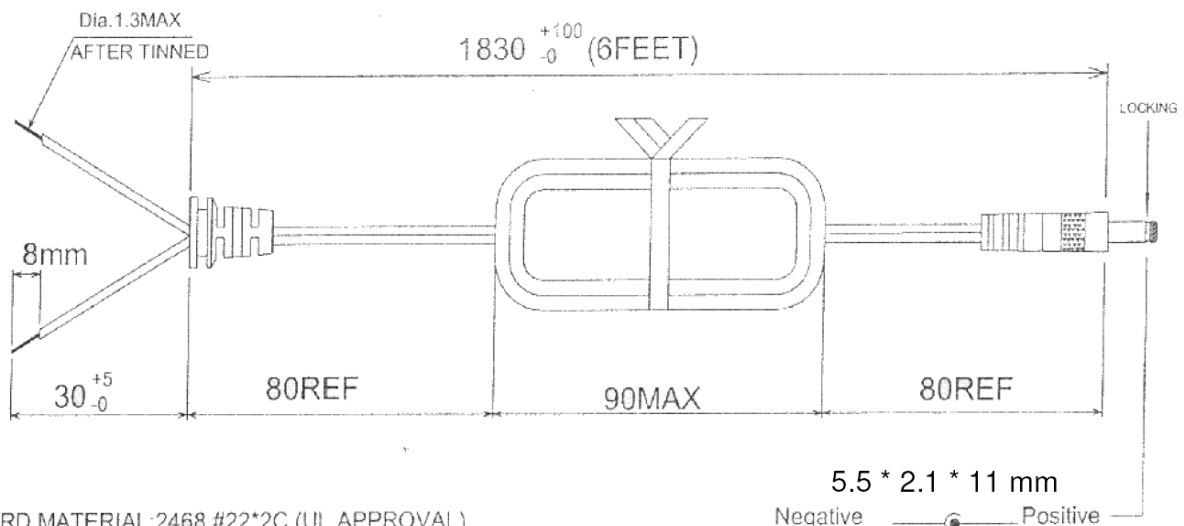
Specification:

OUTPUT	MODEL	Voltage	Min. Load	Max. Load	Tolerance	Ripple & Noise	Efficiency Level	Max. Power
	SYS 1196-0504	4 V	0 A	1.25 A	± 5 %	V · 1 % p-p	IV	5 W
	SYS 1196-0505	5 V	0 A	1 A	± 5 %	V · 1 % p-p	IV	5 W
	SYS 1196-0605	5 V	0 A	1.2 A	± 5 %	V · 1 % p-p	IV	6 W
	SYS 1196-0612	12 V	0 A	0.5 A	± 5 %	V · 1 % p-p	IV	6 W
INPUT	Voltage	AC 90 V to 264 V						
	Frequency	47 Hz to 63 Hz						
	Current	0.3 A @ AC 230 V						
	Leakage Current	< 0.25 mA						
	Inrush Current	Max. 30 A @ AC 240 V input and 25 °C ambient temperature						
PROTECTION	Overload OCP	150 % to 200 % fold back						
	Over Voltage OVP	120 % to 140 % voltage limiting						
	Short Circuit	Yes, Output to Ground, Auto recovery when fault has been removed						
	No Load Operation	Yes, to protect the power supply and system from damage						
OTHERS	Setup time	3 s max. @ AC low line Input and Output full load						
	Holdup time	10 ms @ AC nominal Input and Output full load						
	Cooling	Free air convection						
	Withstand Voltage	HI-POT B / I/P-O/P (FG): AC 3 kV / 10 mA / 1 minute						
	Power Consumption	Max. 1 W @ AC nominal Input and Output min. load						
Environment	Temperature	Operating: 0 °C to 40 °C / Storage: -20 °C to 85 °C						
	Humidity	Operating: 8 % to 90 % RH / Storage: 5 % to 95 % RH						
Connection	Input	Standard plug: CEE7/16 (Europlug) / US, GB, AU plug types upon request						
	Output	Standard DC plug: 5.5x2.1x11mm (spring loaded center '+') or customer requirement / Cable: 180 cm						
MTBF	> 50k hours							
SAFETY	CB (IEC 60950-1:2001) / CE / UL							
EMC	EMI	FCC Part 15 Subpart B CLASS B EN 55022:2006 Class B EN 61000-3-2:2006 CLASS A EN 61000-3-3:1995+A1:2001+A2:2005						
	EMS	EN 55024:1998+A1:2001+A2:2003 EN 61000-4-2, -3, -4, -5, -6, -8, -11						
WEIGHT	N.W.: 0.11 kg							

Specifications subject to change without notice



All measurements in millimeters [mm]



1. CORD MATERIAL: 2468 #22*2C. (UL APPROVAL).
2. OUT JACKET: PVC, COLOR: BLACK.
3. TEMPERATURE: 80 °C.
4. PLUG TYPE: P073. (堅應用p228號模)
5. SR TYPE: SR18. (軟材質P60)