

The Professional Power Supply Designer and Manufacturer!

Wall Mount Power Supplies

SYS1052-W2E series	3-6W
SYS1001-W2E	3.3W
SYS1121-Wxx series	6W
SYS1638-W2E series	6W
SYS1561-Wxx series	10.5-12W
SYS1121-Wxx series	9-12W
SYS1381N-W2E series	12W
SYS1529-Wxx	12W
SYS1181-W2E series (on request)	15-18W
SYS1181-Wxx series (on request)	15-18W
SYS1541-Wxx series	15-24W
SYS1308N-W2E series	15-24W
SYS1308N special	24W
SYS1588-W2E series	20.4-30W
SYS1588-Wxx series	20.4-30W
SYS1588-W2E series (on request)	25-40W
SYS1588-Wxx series	25-40W

Desktop Power Supplies

SYS1001-T2 series	5-6W
SYS1001-T2 series	7.26-12W
SYS1181-T2 series (on request)	15-18W
SYS1181-M3 series (on request)	15-18W
SYS1544-T2 series	15-24W
SYS1544-T3 series	15-24W
SYS1588-T2 series	20.4-30W
SYS1588-T3 series	20.4-30W
SYS1546-T2 series	36W
SYS1546-T3 series	36W
SYS1588-T2 series	30-40W
SYS1588-T3 series	30-40W
SYS1548-T2 series	50-65W
SYS1548-T3 series	50-65W
SYS1649-T3 series	65W
SYS1575-M3 series	90W
STD-120W series	108-120W
SYS1576-M3 series	120-130W
SYS1680-T3 series	140 W
ATS-160W series	150-160W
ATS-200W series	192-200W

USB-C Power Supplies

SYS1621-TYPE C 20 W2E	20W
SYS1621-TYPE C 20 W2F	20W
SYS1100-TYPE C 30 W2E 1A+1C	30W
SYS1621-Wxx series	30-60W
SYS1621-TYPE C 60 W2F	60W
SYS1102-TYPE C 65 W2E 1A+2C	65W
SYS1102-TYPE C 65 W2F 1A+2C	65W
SYS1101-TYPE C 100 W2E 1A+2C	100W
SYS1101-TYPE C 100 W2F 1A+2C	100W
SYS1621-TYPE C 60-T2	60W

Medical Power Supplies

SYM1007-Wxx series	36W
SYM1008-W2E series	36W

DIN Rail Power Supplies

YSDS series	
YSDL series (on request)	
YSDH series (on request)	
YSDN series	
YSDT series (on request)	
YSDW series (on request)	

LED Drivers

SYL1460-Wxx series	24W
--------------------	-----

Car adapters

RY-CC24U2 (Dual Car Charger 1205)

Power cords | Cables | Connectors

IEC320-C5 series
IEC320-C7 series
IEC320-C13 series
Extension cable USB
Extension cable Plug to S/T
Extension cable Plug to Plug
Extension cable Jack to S/T
Extension cable Jack to Plug
Extension cable Switch
Cable Splitter
Cable Splitter Chain
Reduction connectors

Country of Origin : China
Efficiency level (ErP) : VI



GREEN MODE **RoHS**



Specifications

Basic Models	Voltage DC [4.0V~24V]	Loading [A]	Max. Power [W]	Ripple / Noise [mV] p-p	Connector [mm]
SYS1052-0605-W2E	5	0~1.2	6	200	2.1x5.5x11
SYS1052-0606-W2E	6	0~1.0	6	200	2.1x5.5x11
SYS1052-06075-W2E	7,5	0~0.8	6	200	2.1x5.5x11
SYS1052-0609-W2E	9	0~0.66	6	200	2.1x5.5x11
SYS1052-0312-W2E	12	0~0.25	3	200	2.1x5.5x11
SYS1052-0612-W2E	12	0~0.5	6	200	2.1x5.5x11
SYS1052-0615-W2E	15	0~0.4	6	200	2.1x5.5x11
SYS1052-0618-W2E	18	0~0.33	6	200	2.1x5.5x11
SYS1052-0624-W2E	24	0~0.25	6	200	2.1x5.5x11

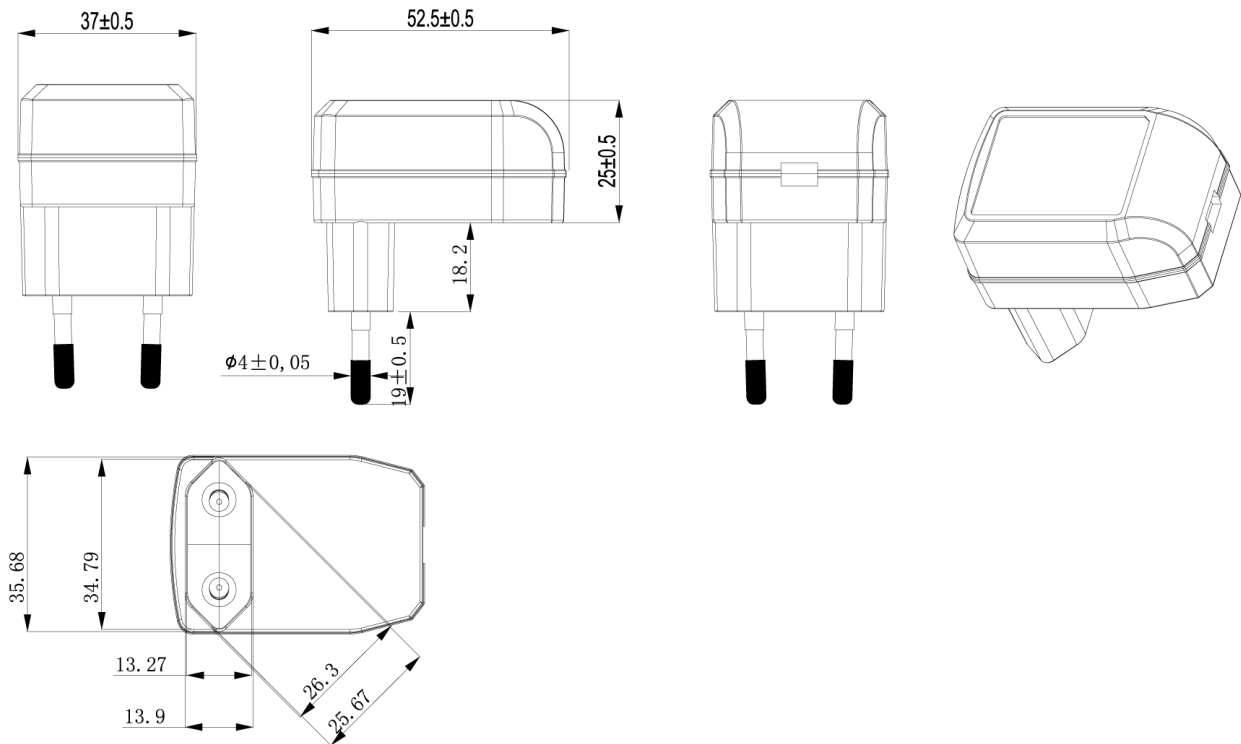
Features:

PSU housing = W2E - Europe | W2 - USA,Canada,Japan | W3U - UK | W2A - Australia | W2C - China
For all models, the minimum rising step of output voltage is 0.1V - 4.0V~24V 6W max | Private Label Marking Available | 2 Years Warranty

INPUT OUTPUT	Voltage	90-264VAC
	Current	0.2A max At 100VAC & 240VAC@full load
	Inrush Current	30/40A max At cold start, ambient temperature 25°C nominal AC input 100VAC/240VAC
	Power consumption	0.1W max. with output no load at 115VAC/230VAC input
	Efficiency	Meet ERP level VI
	Hold up time	8mS min At AC nomind input @ output full load
	Turn delay	5000mS max. At AC low line input @ output full load
	Ripple noise	200mV
Burn-in	220VAC 100% Load (Ref) 4hours & 40°C +/- 5°C	
PROTECTION	Over current Short protection	Automatic recovery
	Over Voltage	The power supply shall be self-recovering when the fault condition is removed
	Input protection	The switching adaptor use 0.68-10R fuse
	Protection class	Class II
SAFETY	CE EMC	2014/30/EU
	CE LVD	2014/35/EU EN 62368
	Safety approvals	GS CE CB UKCA
	Dielectric Strength (Hi-pot)	AC3000V,5.0mA,1 minute for type test
	Leakage current	In 264VAC input 0.25mA max.
ENVIRONMENTAL	Temperature	Operating: 0~40°C / Storage: -40~70°C
	Humidity	Operating: 20%~80%RH / Storage:5%~95% RH
	Cooling	Natural Convection Cooling
OTHER	MTBF	MTBF shall be least 50,000 hours at 25°C (MIL-HDBK-217F)
	Weight	58±3.5 g
	Dimension	53x37x62 mm
	Packing	100 pcs 1 box

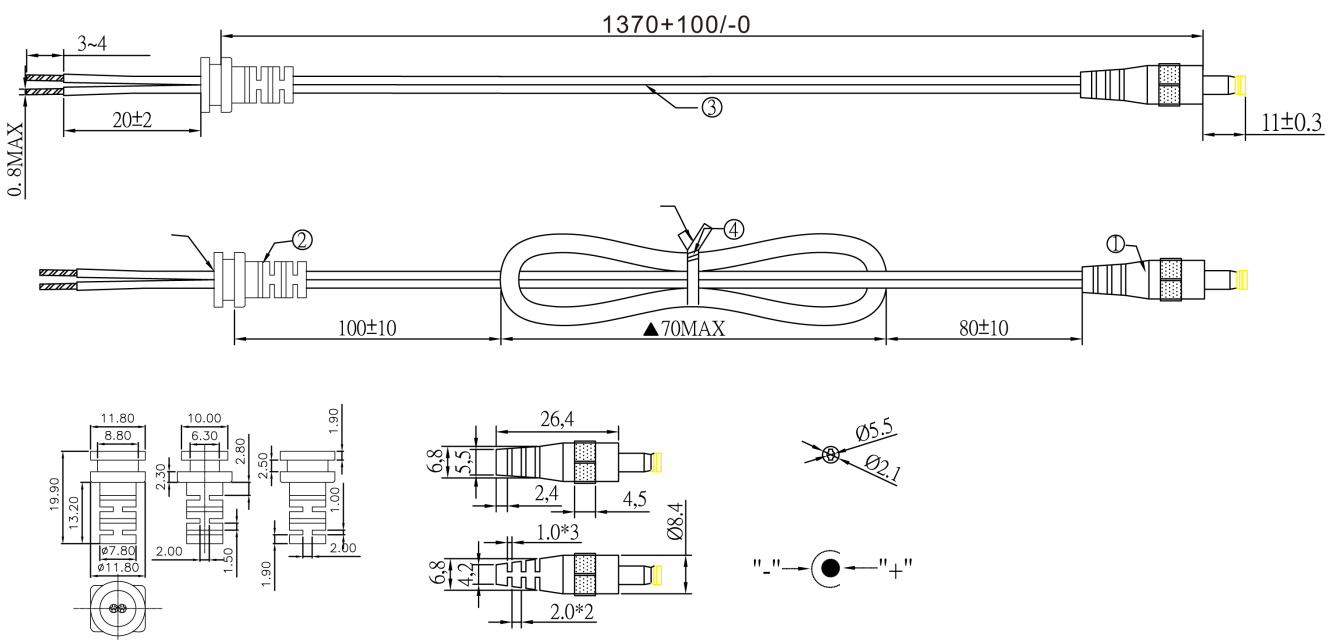
Mechanical specification:

W2E - Europe version



Cable specification:

2468# 24AWG / 4.5FT (1370mm)



Country of Origin : China
 Efficiency level (ErP) : VI



GREEN MODE **RoHS**


Specifications

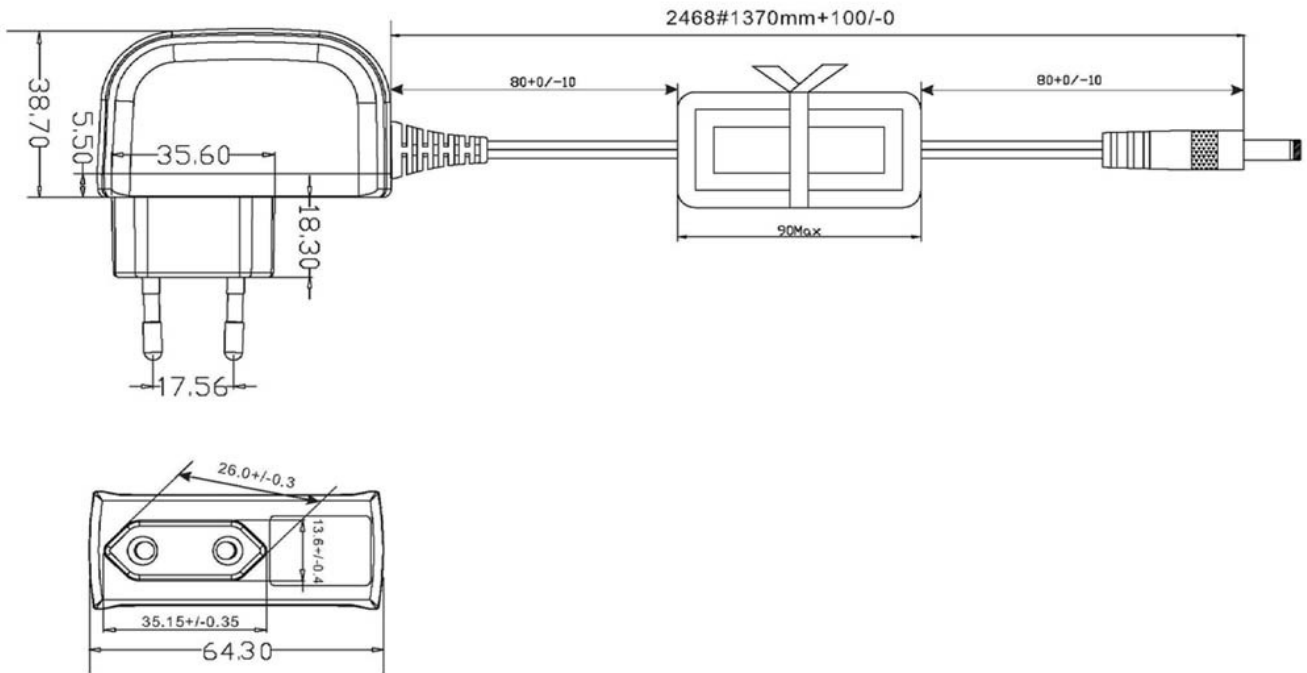
Model	Voltage DC [V]	Loading [A]	Max. Power [W]	Ripple / Noise [mV] p-p	Connector [mm]
SYS1001-0303-W2E	3.3	0~1	3.3	200	2.1x5.5x11

Features:

Output connector: standard: 2.1 x 5.5 x 11mm or customer requirement | Regulated Output With Low Ripple Noise | Safety Agency Requirements and EM/EMS Certified
 Private Label Marking Available | Modified and Custom Design Available | 2 Years Warranty

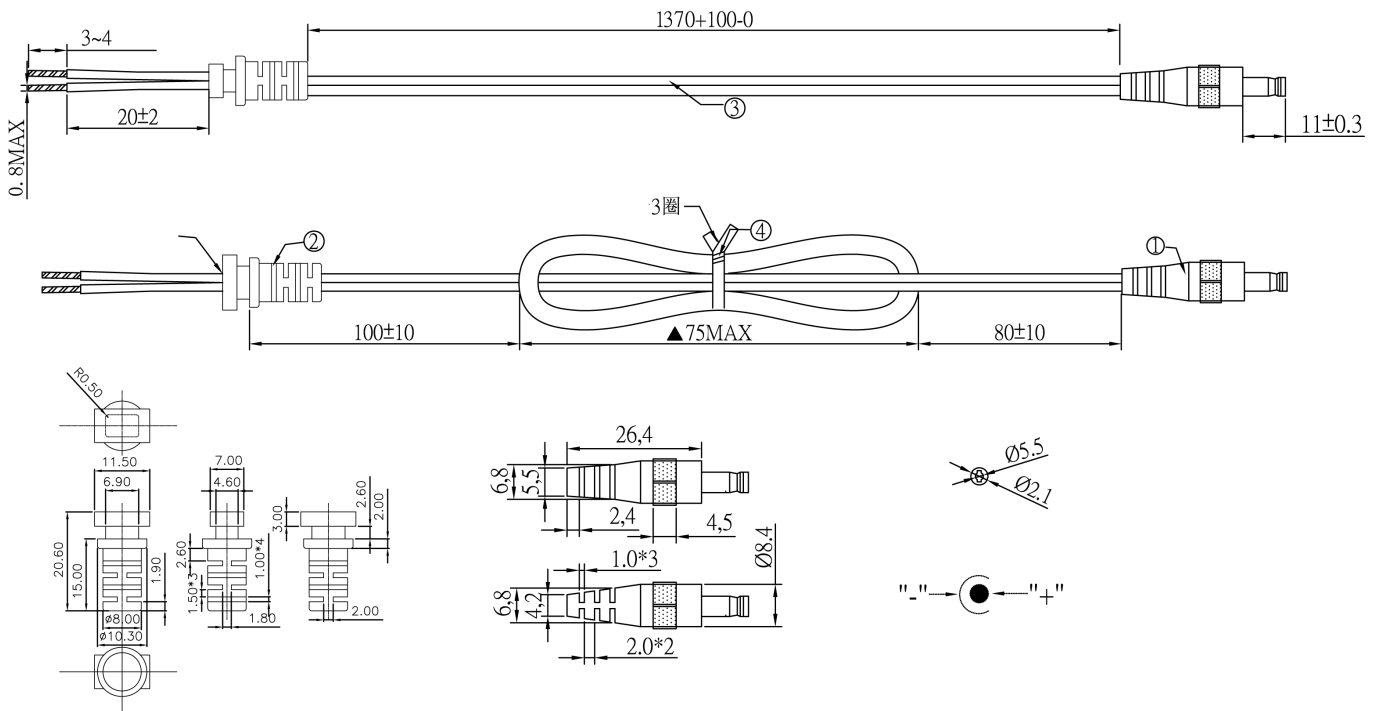
INPUT OUTPUT	Voltage	90-264VAC
	Current	0.5A max At 100VAC & 240VAC@full load
	Inrush Current	30/40A max At cold start, ambient temperature 25°C nominal AC input 100VAC/240VAC
	Power consumption	0.1W max. with output no load at 115VAC/230VAC input
	Efficiency	Meet ERP level VI
	Hold up time	8mS min At AC nomind input @ output full load
	Turn delay	3000mS max. At AC low line input @ output full load
	Ripple noise	200mV
	Burn-in	220VAC 100% Load (Ref) 2hours & 40°C +/- 5°C
PROTECTION	Over current Short protection	Automatic recovery
	Over Voltage	The power supply shall be self-recovering when the fault condition is removed
	Input protection	The switching adaptor use 0.68/4.7/10 Ω resistance fuse
	Protection class	Class II
SAFETY	CE EMC	2014/30/EU
	CE LVD	2014/35/EU IEC 62368
	Safety approvals	TUV/GS CE CB EAC
	Dielectric Strength (Hi-pot)	AC3000V,5.0mA,1 minute for type test
	Leakage current	In 264VAC input 0.25mA max.
ENVIRONMENTAL	Temperature	Operating: 0~40°C / Storage: -20~50°C
	Humidity	Operating: 20%~80%RH / Storage:5%~95% RH
	Cooling	Natural Convection Cooling
OTHER	MTBF	MTBF shall be least 50,000 hours at 25°C (MIL-HDBK-217F)
	Weight	61±3.5 g
	Dimension	64x27x76 mm
	Packing	100 pcs 1 box

Mechanical specification:



Cable specification:

2468# 24AWG / 4.5FT (1370mm)



Country of Origin : China

Efficiency level (ErP) : VI

GREEN MODE **RoHS**



Specifications

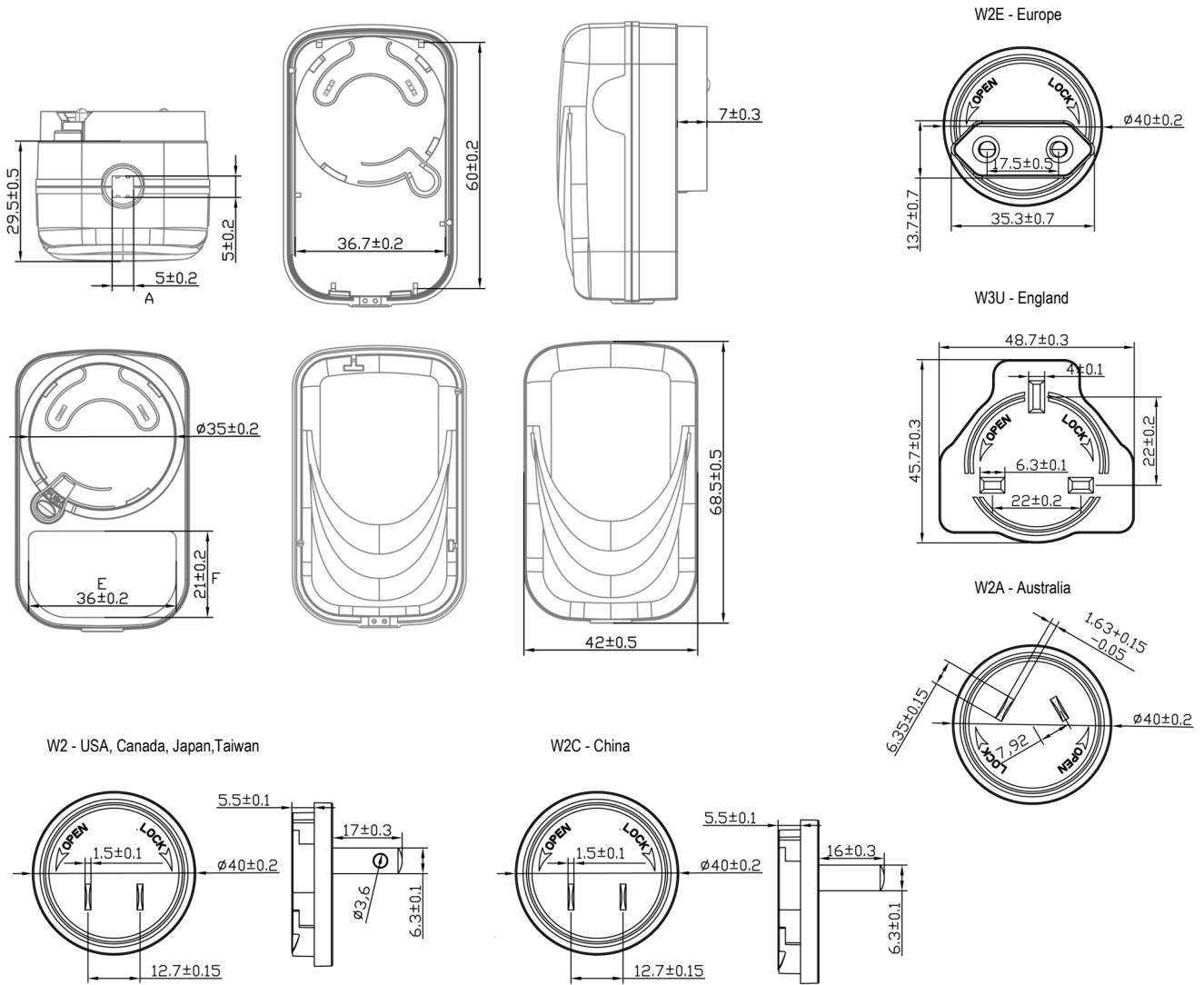
Basic Models	Voltage DC [4.0V~24V]	Loading [A]	Max. Power [W]	Ripple / Noise [mV] p-p	Connector [mm]
SYS1121-0605-Wxx	5	0~1.2	6	200	2.1x5.5x11
SYS1121-0606-Wxx	6	0~1.0	6	200	2.1x5.5x11
SYS1121-06075-Wxx	7,5	0~0.8	6	200	2.1x5.5x11
SYS1121-0609-Wxx	9	0~0.66	6	200	2.1x5.5x11
SYS1121-0612-Wxx	12	0~0.5	6	200	2.1x5.5x11
SYS1121-0615-Wxx	15	0~0.4	6	200	2.1x5.5x11
SYS1121-0618-Wxx	18	0~0.33	6	200	2.1x5.5x11
SYS1121-0624-Wxx	24	0~0.25	6	200	2.1x5.5x11

Features:

Certified changeable plugs Wxx = W2E - Europe | W3U - England | W2 - USA, Canada, Japan, Taiwan | W2A - Australia | W2C - China
For all models, the minimum rising step of output voltage is 0.1V - 4.0V~24V 6W max | Private Label Marking Available | 2 Years Warranty

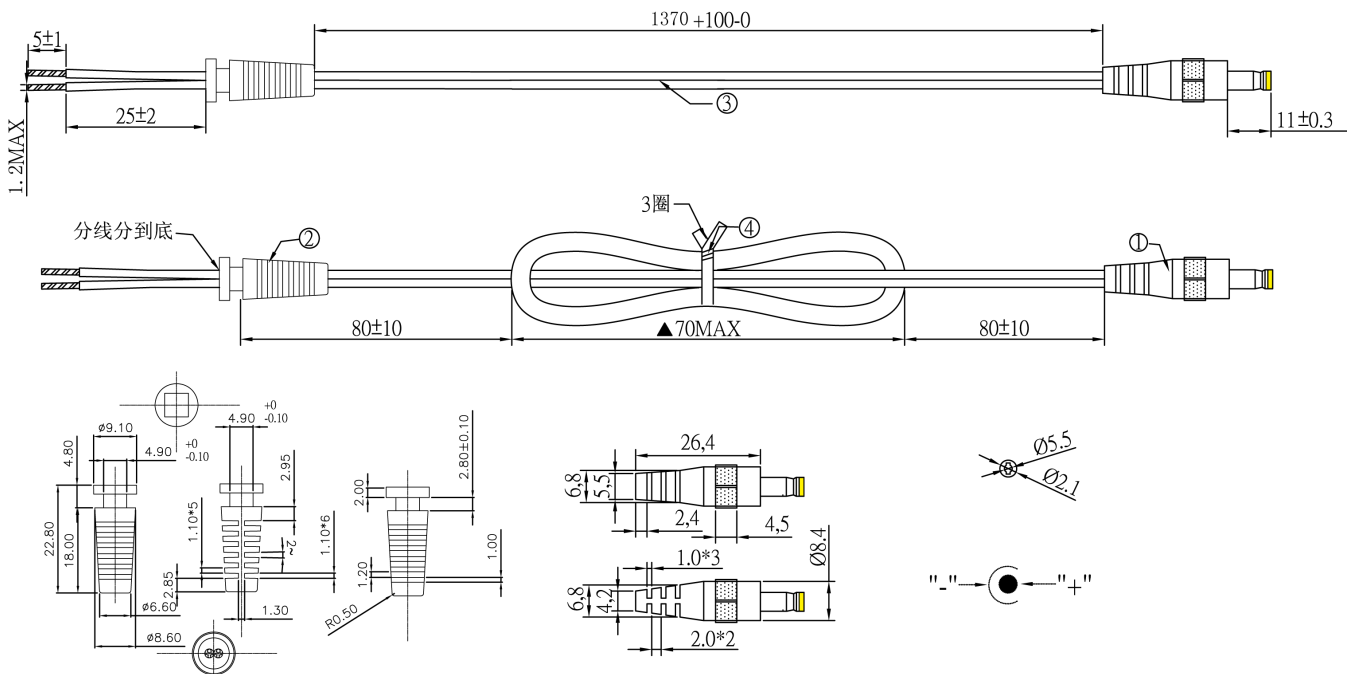
INPUT OUTPUT	Voltage	90-264VAC
	Current	0.5A max At 100VAC & 240VAC@full load
	Inrush Current	30/40A max At cold start, ambient temperature 25°C nominal AC input 100VAC/240VAC
	Power consumption	0.1W max. with output no load at 115VAC/230VAC input
	Efficiency	Meet DOE level VI
	Hold up time	8mS min At AC nomind input @ output full load
	Turn delay	3000mS max. At AC low line input @ output full load
	Ripple noise	200mV
	Burn-in	220VAC 80% Load (Ref) 4hours & 40°C +/- 5°C
PROTECTION	Over current Short protection	Automatic recovery
	Over Voltage	The power supply shall be self-recovering when the fault condition is removed
	Input protection	The switching adaptor use 0.68-10R fuse
	Protection class	Class II
SAFETY	CE EMC	2014/30/EU
	CE LVD	2014/35/EU EN 62368
	Safety approvals	cUL GS CE CB RCM PSE LVD UKCA BS BSMI CCC
	Dielectric Strength (Hi-pot)	AC3000V, 10.0mA, 1 minute for type test
	Leakage current	5mA maximum, At nominal AC input voltage and frequency
ENVIRONMENTAL	Temperature	Operating: 0~40°C / Storage: -20~50°C
	Humidity	Operating: 0%~90%RH / Storage:0%~90% RH
	Cooling	Natural Convection Cooling
OTHER	MTBF	MTBF shall be least 50,000 hours at 25°C (MIL-HDBK-217F)
	Weight	61±3.5 g
	Dimension	69x42x37 mm
	Packing	100 pcs 1 box

Mechanical specification:



Cable specification:

2468# 24AWG / 4.5FT (1370mm)



Country of Origin : China
 Efficiency level (ErP) : VI



GREEN MODE **RoHS**



Specifications

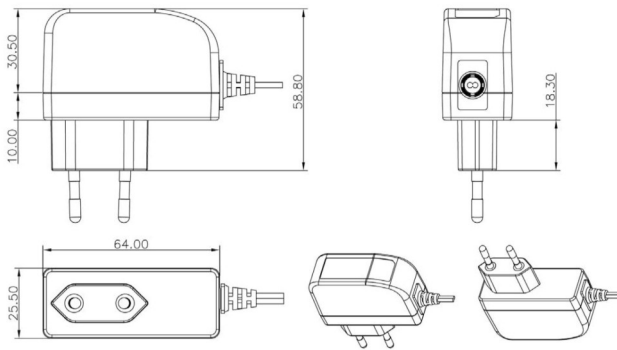
Model	Voltage DC [V]	Loading [A]	Max. Power [W]	Ripple / Noise [mV] p-p	Connector [mm]
SYS1638-0605-W2E	5	0~1.2	6	250	2.1x5.5x11
SYS1638-0605-W2E	5	0~1.2	6	250	Mini USB
SYS1638-0605-W2E	5	0~1.2	6	250	Micro USB
SYS1638-0605-W2E	5	0~1.2	6	250	USB inlet
SYS1638-0612-W2E	12	0~0.5	6	200	2.1x5.5x11

Features:
 PSU housing = W2E - Europe | W3U - England | W2 - USA, Canada, Japan, Taiwan | W2C - China | W2K - Korea
 Output connector: standard: 2.1 x 5.5 x 11mm or customer requirement | Regulated Output With Low Ripple Noise | Safety Agency Requirements and EMI/EMS Certified
 Private Label Marking Available | Modified and Custom Design Available | 2 Years Warranty

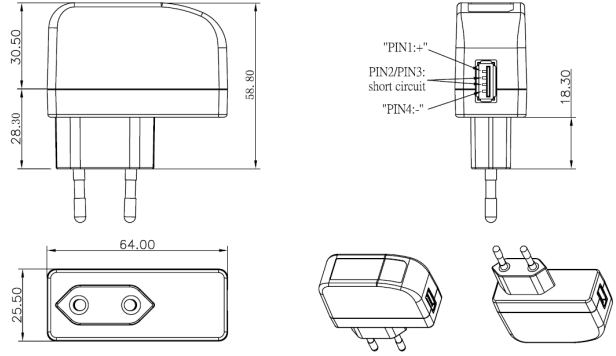
INPUT OUTPUT	Voltage	90-264VAC
	Current	0.5A rms max At AC low line input and DC output full load
	Inrush Current	40/60A max At power supply cold start, ambient temperature 25°C@115VAC/230VVAC nominal AC input
	Power consumption	0.075W rms max. At AC nominal input@output no load
	Efficiency	Meet ERP level VI
	Hold up time	5mS min At AC nomind input @ output full load
	Turn delay	3000ms max. 3S max on the condition that input volotage 230V, full load
	Ripple noise	200mV
	Burn-in	Ambient temp: 35C+-3%/80% load/input voltage 230V/2 hours.
PROTECTION	Over current Short protection	Fold back Auto recovery when abnormal circuit faults remove.
	Over Voltage	Voltage liimit
	Input protection	1A/250V Fuse The power supply shall be protected against power line surges and any abnormal condition
	Protection class	Class II
SAFETY	CE EMC	2014/30/EU
	CE LVD	2014/35/EU IEC 62368
	Safety approvals	CB CE GS FCC cULus
	Dielectric Strength (Hi-pot)	IEC 320 2pin primary to secondary 4000Vdc 10mA 1min
	Leakage current	0.25 mA max.
ENVIRONMENTAL	Temperature	Operating: 0~40°C / Storage: -20~85°C
	Humidity	Operating: 8%~90%RH / Storage:5%~95% RH
	Cooling	Natural Convection Cooling
OTHER	MTBF	MTBF shall be least 50,000 hours at 25°C (MIL-HDBK-217F)
	Weight	54g-87g
	Dimension	64x26x78 mm
	Packing	100 pcs 1 box

Mechanical case specification:

1) SYS1638-series (EU)

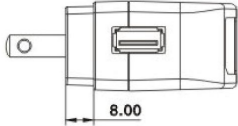


2) SYS1638-series (EU) / USB inlet

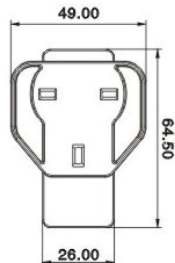


Mechanical specification (country housing):

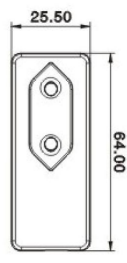
US / Japan type (W2)



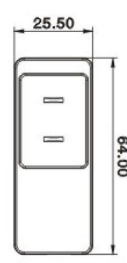
UK type (W3U)



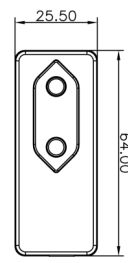
Europe type (W2E)



China type (W2C)

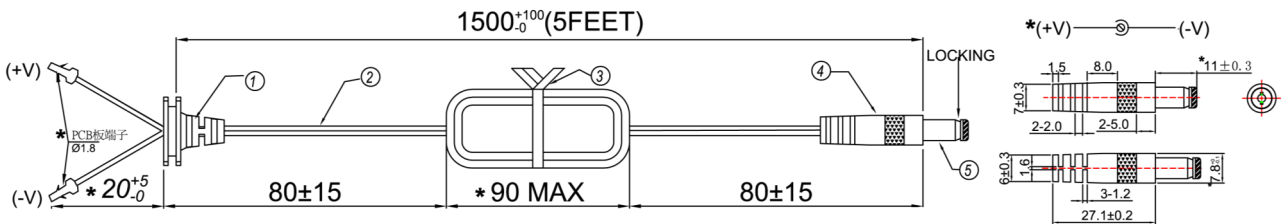


Korea (type W2K)

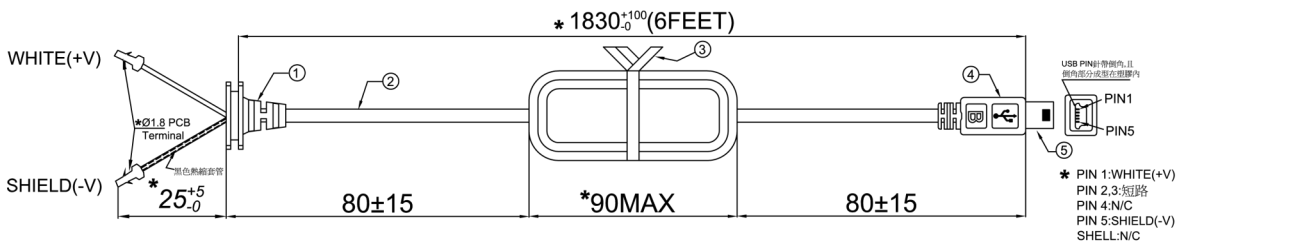


Cable specification:

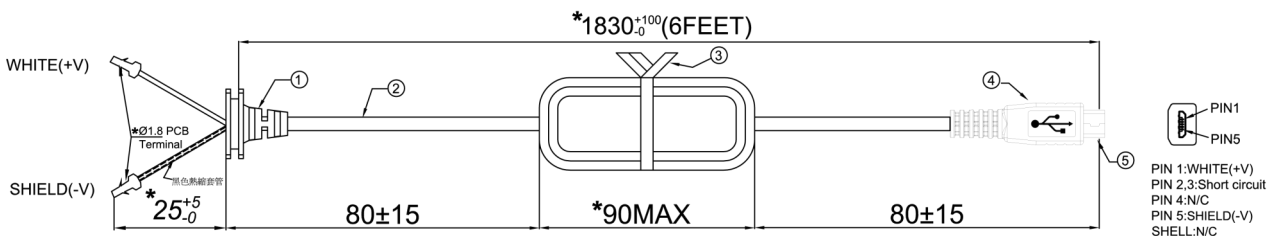
a) 2.1*5.5*11 (2468#22*2C/ 5FT)



b) mini USB (1185#22*1C+SHIELD / 6FT)



c) micro USB (1185#22*1C+SHIELD / 6FT)



Country of Origin : China
Efficiency level (ErP) : VI

GREEN MODE

RoHS



Specifications

Model	Voltage DC [V]	Loading [A]	Max. Power [W]	Ripple / Noise [mV] p-p	Connector [mm]
SYS1561-1105-Wxx*	5	0~2.1	10.5	200	2.1x5.5x11
SYS1561-1105-Wxx*	5	0~2.1	10.5	200	micro USB
SYS1561-1105-Wxx*	5	0~2.1	10.5	200	USB-C
SYS1561-1105-Wxx*	5	0~2.1	10.5	200	USB inlet
SYS1561-11054-Wxx*	5.35	0~2.0	10.7	200	2.1x5.5x11
SYS1561-1006-Wxx*	6	0~1.66	10	200	2.1x5.5x11
SYS1561-1212-Wxx*	12	0~1.0	12	200	2.1x5.5x11

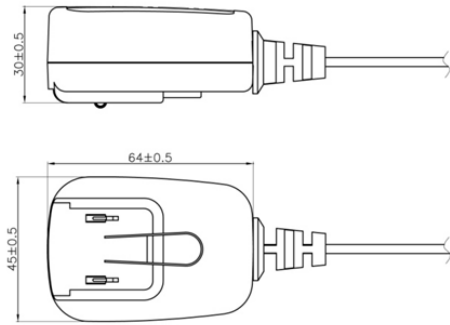
Features:

Certified changeable plugs Wxx = W2E - Europe | W3U - England | W2 - USA, Canada, Japan, Taiwan | W2A - Australia | W2C - China | W2K - Korea | W2I - India
Output connector: standard: 2.1 x 5.5 x 11mm or customer requirement | Regulated Output With Low Ripple Noise | Safety Agency Requirements and EMI/EMS Certified
Private Label Marking Available | Modified and Custom Design Available | 2 Years Warranty

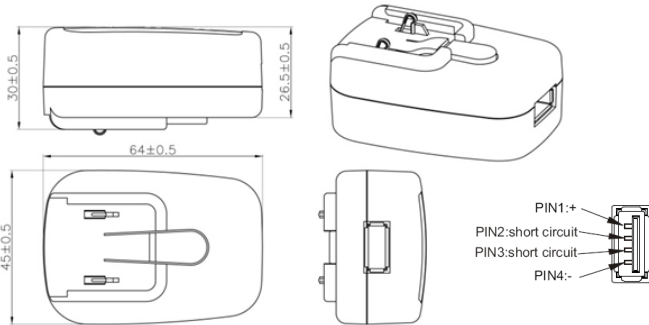
INPUT OUTPUT	Voltage	90-264VAC
	Current	1.0A rms max At AC low line input and DC output full load
	Inrush Current	40/60A max At power supply cold start, ambient temperature 25°C@115VAC/230VVAC nominal AC input
	Power consumption	0.1W rms max At AC nominal input@output no load
	Efficiency	Meet ERP level VI
	Hold up time	5mS min At AC nomind input @ output full load
	Turn delay	7000 ms max At AC low line input@output full load
	Ripple noise	200mV
	Burn-in	2 Hour Full Load
PROTECTION	Over current Short protection	Fold back Auto recovery when abnormal circuit faults remove.
	Over Voltage	Voltage limit
	Input protection	1A/250V The power supply shall be protected against power line surges and any abnormal condition
	Protection class	Class II
SAFETY	CE EMC	2014/30/EU
	CE LVD	2014/35/EU IEC 62368
	Safety approvals	CB CE GS FCC cULus CCC BSMI PSE KC(5V only) RCM EAC BIS(1105)
	Dielectric Strength (Hi-pot)	IEC 320 2pin primary to secondary 3000Vac 10mA 1min
	Leakage current	0.25 mA max.
ENVIRONMENTAL	Temperature	Operating: 0~40°C / Storage: -20~85°C
	Humidity	Operating: 8%~90%RH / Storage:5%~95% RH
	Cooling	Natural Convection Cooling
OTHER	MTBF	MTBF shall be least 50,000 hours at 25°C (MIL-HDBK-217F)
	Weight	50g-76g
	Dimension	64x45x30 mm
	Packing	80 pcs 1 box

Mechanical case specification:

1) Cable type

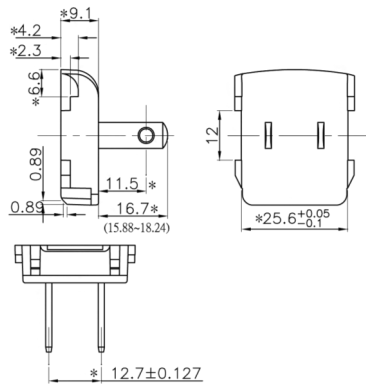


2) USB inlet type

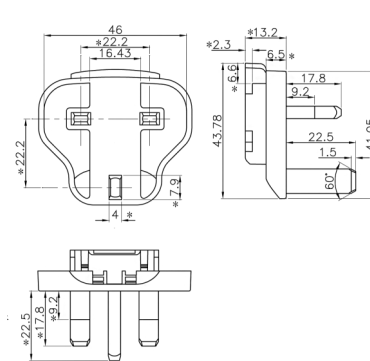


Mechanical specification (country housing):

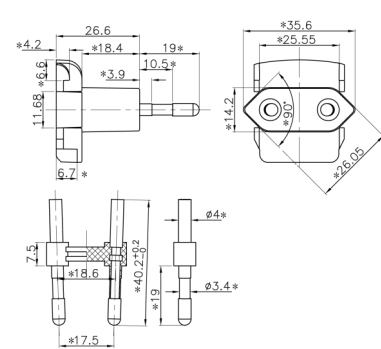
US / Japan type (W2)



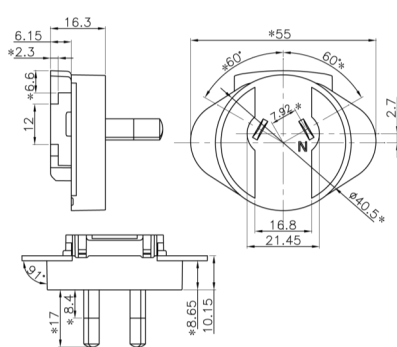
UK type (W3U)



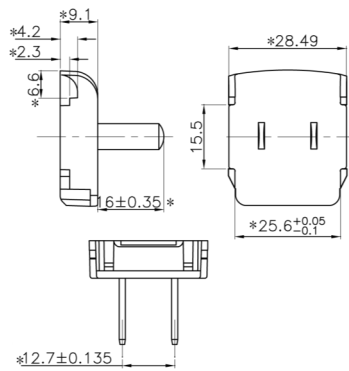
Europe type (W2E)



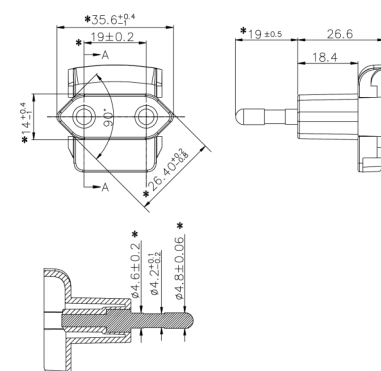
Australia type (W2A)



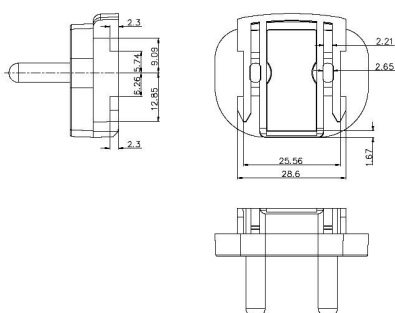
China type (W2C)



Korea type (W2K)



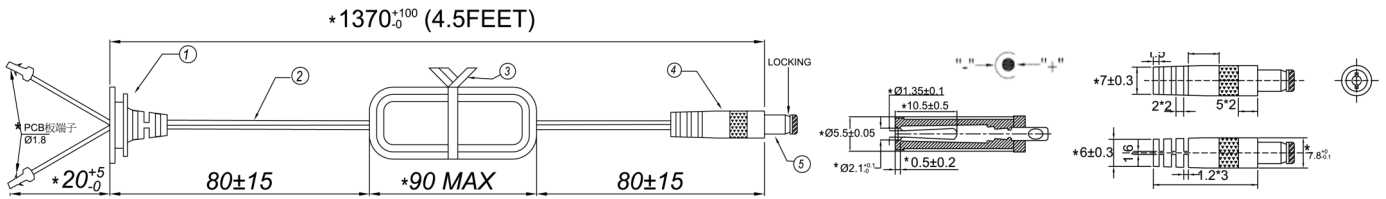
India type (W2I)



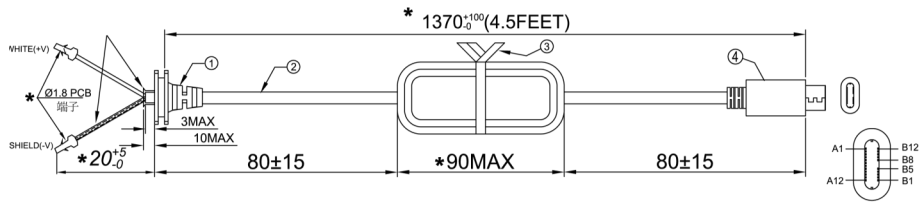
Cable specification:

2468#20*2C – SYS1561-1105-Wxx | 2468#24*2C – SYS1561-1212-Wxx

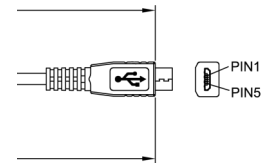
For 2.1x5.5 connector



For USB C connector



For micro USB connector



Country of Origin : China

Efficiency level (ErP) : VI

GREEN MODE **RoHS**



Specifications

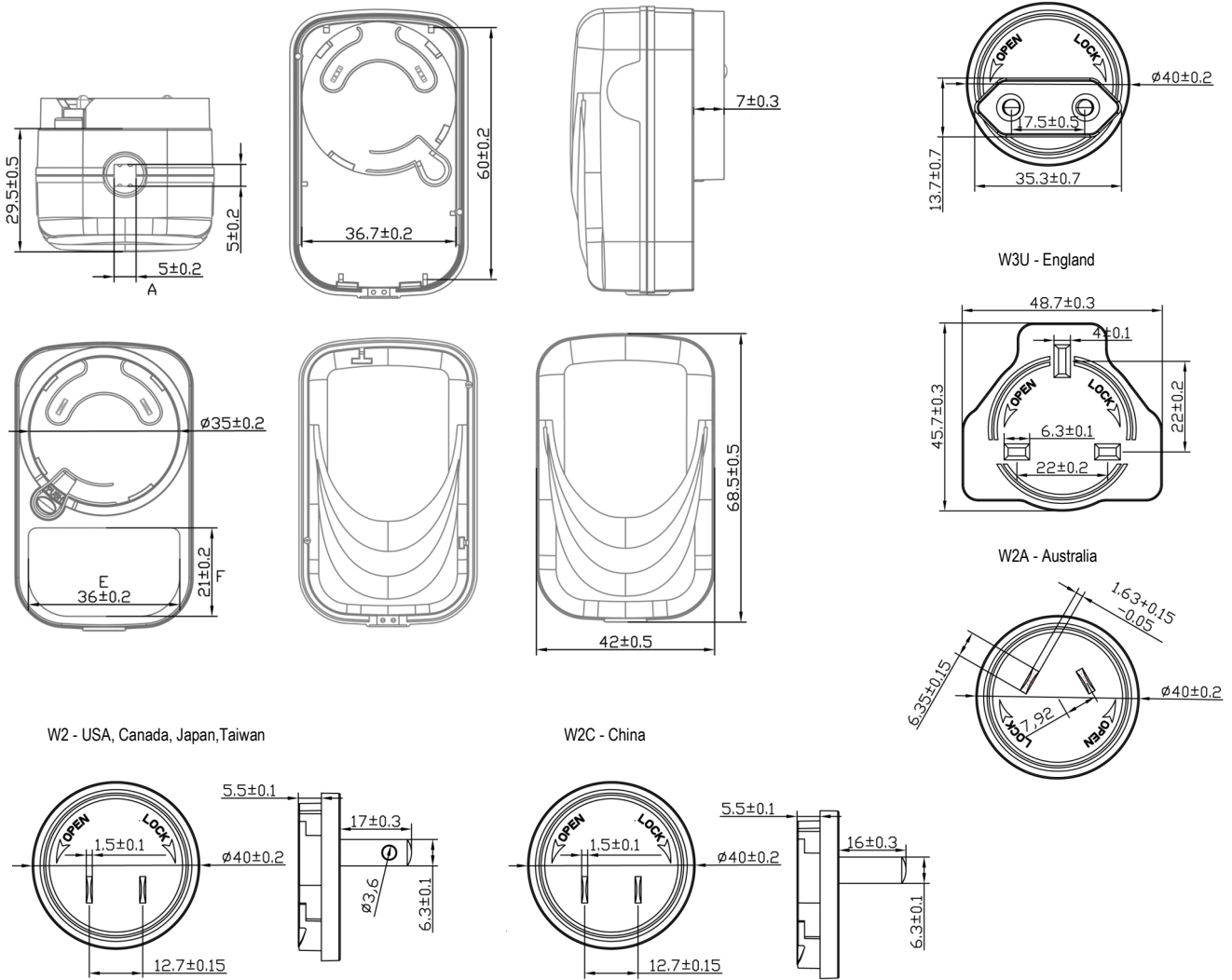
Basic Models	Voltage DC [4.0V~24V]	Loading [A]	Max. Power [W]	Ripple / Noise [mV] p-p	Connector [mm]
SYS1121-0909-Wxx	9	0~1.0	9	200	2.1x5.5x11
SYS1121-1105-Wxx	5	0~2.2	11	200	2.1x5.5x11
SYS1121-1106-Wxx	6	0~1.83	11	200	2.1x5.5x11
SYS1121-12075-Wxx	7,5	0~1.6	12	200	2.1x5.5x11
SYS1121-1209-Wxx	9	0~1.33	12	200	2.1x5.5x11
SYS1121-1212-Wxx	12	0~1.0	12	200	2.1x5.5x11
SYS1121-1215-Wxx	15	0~0.8	12	200	2.1x5.5x11
SYS1121-1218-Wxx	18	0~0.66	12	200	2.1x5.5x11
SYS1121-1224-Wxx	24	0~0.5	12	200	2.1x5.5x11

Features:

Certified changeable plugs Wxx = W2E - Europe | W3U - England | W2 - USA, Canada, Japan, Taiwan | W2A - Australia | W2C - China
For all models, the minimum rising step of output voltage is 0.1V - 4.0V~24V 12W max | Private Label Marking Available | 2 Years Warranty

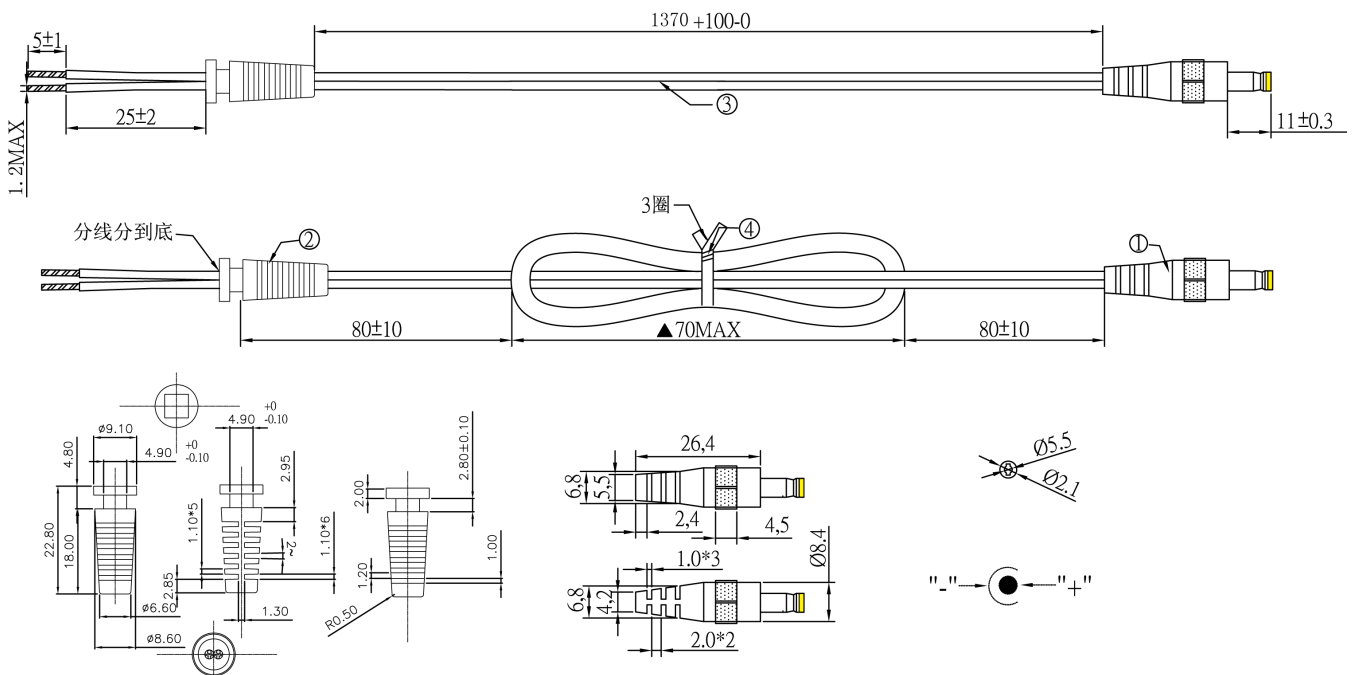
INPUT OUTPUT	Voltage	90-264VAC
	Current	0.5A max At 100VAC & 240VAC@full load
	Inrush Current	30/40A max At cold start, ambient temperature 25°C nominal AC input 100VAC/240VAC
	Power consumption	0.1W max. with output no load at 115VAC/230VAC input
	Efficiency	Meet ERP level VI
	Hold up time	8mS min At AC nominal input @ output full load
	Turn delay	3000mS max. At AC low line input @ output full load
	Ripple noise	200mV
PROTECTION	Burn-in	220VAC 80% Load (Ref) 4hours & 40°C +/- 5°C
	Over current Short protection	Automatic recovery
	Over Voltage	The power supply shall be self-recovering when the fault condition is removed
	Input protection	The switching adaptor use 0.68/4.7/10 Ω resistance fuse
	Protection class	Class II
SAFETY	CE EMC	2014/30/EU
	CE LVD	2014/35/EU EN 62368
	Safety approvals	cUL FCC GS CE CB PSE EAC LVD UKCA CCC
	Dielectric Strength (Hi-pot)	AC3000V, 10.0mA, 1 minute for type test
ENVIRONMENTAL	Leakage current	5mA maximum, At nominal AC input voltage and frequency
	Temperature	Operating: 0~40°C / Storage: -20~50°C
	Humidity	Operating: 0%~90%RH / Storage: 0%~90% RH
	Cooling	The power supply will operate with convection cooling. Blocking of vents must not cause damage to the power supply.
OTHER	MTBF	MTBF shall be least 50,000 hours at 25°C (MIL-HDBK-217F)
	Weight	61±5 g
	Dimension	68x42x40 mm
Packing	100 pcs 1 box	

Mechanical specification:



Cable specification:

2468# 24AWG / 4.5FT (1370mm) * model SYS1121-1215 also with round cable UL1185# 24AWG / 4.5FT (1370mm)



Country of Origin : China

Efficiency level (ErP) : VI

GREEN MODE

RoHS



Specifications

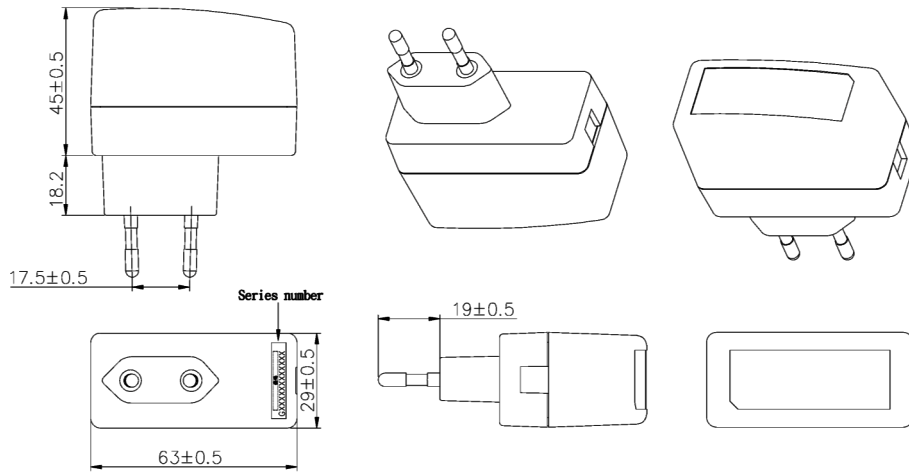
Basic Models	Voltage DC [V]	Loading [A]	Max. Power [W]	Ripple / Noise [mV] p-p	Connector [mm]
SYS1381N-1205-W2E	5	0~2.4	12	150	2.1x5.5x11
SYS1381N-1205-W2E	5	0~2.4	12	150	1.7x5.5x11
SYS1381N-1205-W2E	5	0~2.4	12	150	Micro USB
SYS1381N-1206-W2E	6	0~2.0	12	150	2.1x5.5x11
SYS1381N-1207-W2E	7,5	0~1.6	12	150	2.1x5.5x11
SYS1381N-1209-W2E	9	0~1.33	12	150	2.1x5.5x11
SYS1381N-1212-W2E	12	0~1.0	12	150	2.1x5.5x11
SYS1381N-1215-W2E	15	0~0.8	12	180	2.1x5.5x11
SYS1381N-1218-W2E	18	0~0.66	12	200	2.1x5.5x11
SYS1381N-1224-W2E	24	0~0.5	12	250	2.1x5.5x11

Features:

PSU housing = W2E - Europe | W3U - England | W2 - USA, Canada, Japan, Taiwan | W2A - Australia | W2C - China
For all models, the minimum rising step of output voltage is 0.1V - 4.0V~24V 12W max | Private Label Marking Available | 2 Years Warranty

INPUT OUTPUT	Voltage	90-264VAC
	Current	0.5A rms max At AC low line input and DC output full load
	Inrush Current	40/60A max At power supply cold start, ambient temperature 25°C@115VAC/230VAC nominal AC input
	Power consumption	0.1W rms max At AC nominal input@output no load
	Efficiency	Meet ERP level VI
	Hold up time	10mS min At AC nomind input @ output full load
	Turn delay	5000mS max. At AC low line input @ output full load.
	Ripple noise	150mV
	Burn-in	Ambient temp: 35C+-3%/80% load/input voltage 230V/2 hours.
PROTECTION	Over current Short protection	Fold back Auto recovery when abnormal circuit faults remove.
	Over Voltage	Voltage limit
	Input protection	1A Fuse The power supply shall be protected against power line surgesand any abnormal condition
	Protection class	Class II
SAFETY	CE EMC	2014/30/EU
	CE LVD	2014/35/EU IEC 62368-1
	Safety approvals	CB CE GS RCM
	Dielectric Strength (Hi-pot)	IEC 320 2pin primary to secondary 4000Vdc 10mA 1min
	Leakage current	0.25 mA max.
ENVIRONMENTAL	Temperature	Operating: 0~40°C / Storage: -20~85°C
	Humidity	Operating: 8%~90%RH / Storage:5%~95% RH
	Cooling	Natural Convection Cooling
OTHER	MTBF	MTBF shall be least 50,000 hours at 25°C (MIL-HDBK-217F)
	Weight	85g
	Dimension	63x29x45 mm
	Packing	100 pcs 1 box

Mechanical case specification:



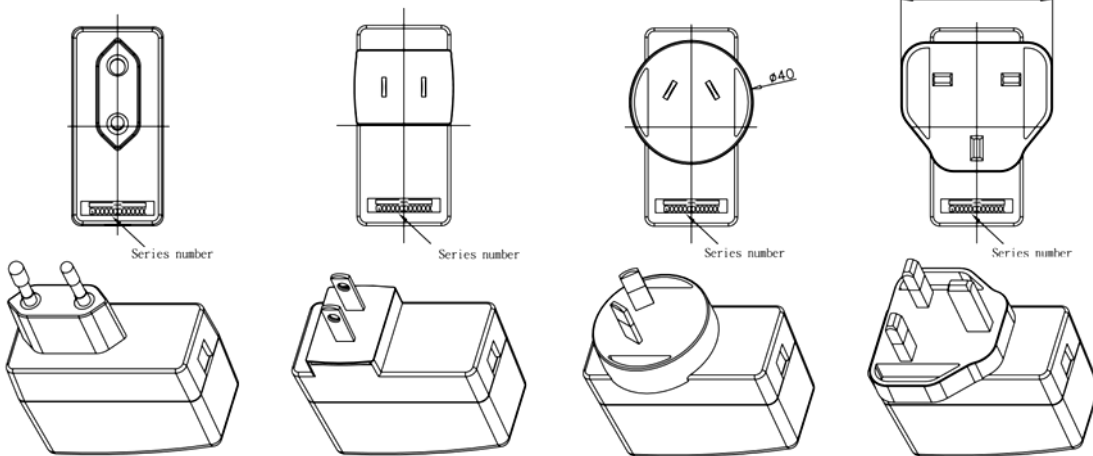
Mechanical specification (country housing):

Europe / Korea type (W2E/W2K)

US / Canada type (W2)

Australia type (W2A)

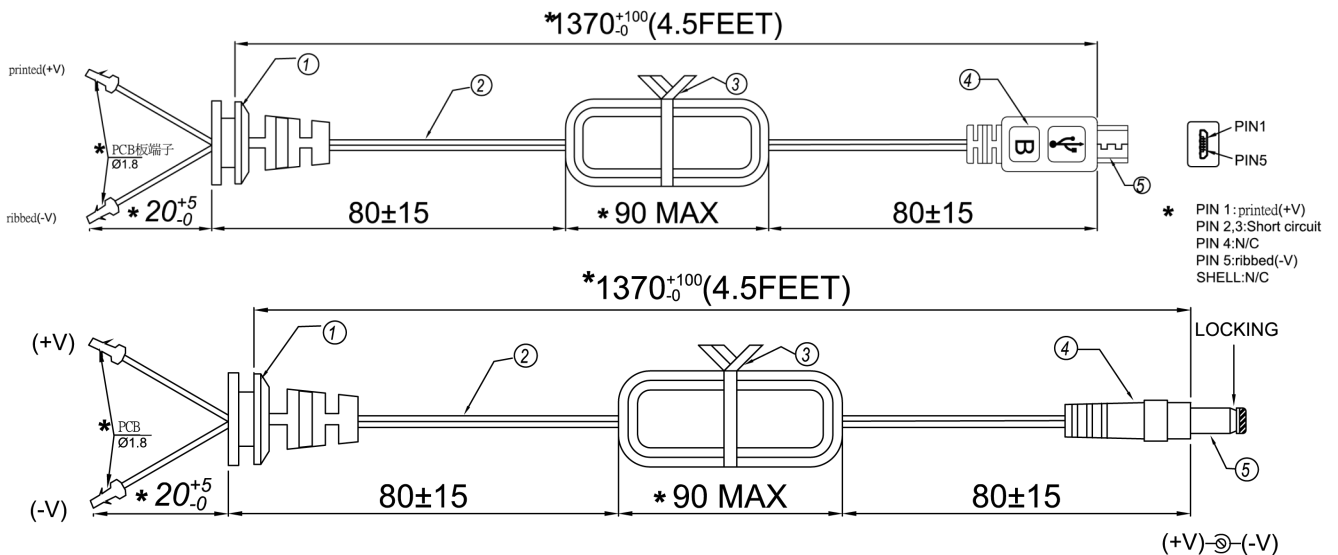
UK type (W3U)



Cable specification:

Connectors 2.1*5.5*11; 2.5*5.5*11; 1.7*5.5*11; micro USB

Cable (2468#20*2C / 4.5FT)



Country of Origin : China

Efficiency level : VI

GREEN MODE RoHS

Specification:

ErP V.	Model	Voltage DC [V]	Efficiency [%]	OCP [A]	OVP [V]	Max. Power [W]	Ripple & Noise [mV]p-p max.	Connector [mm]
	SYS1529-1205	5.0	75	2.5-3.0	max 10V	12	250	USB inlet

Features:

Dual USB inlet charger with Exchangeable AC Plugs.

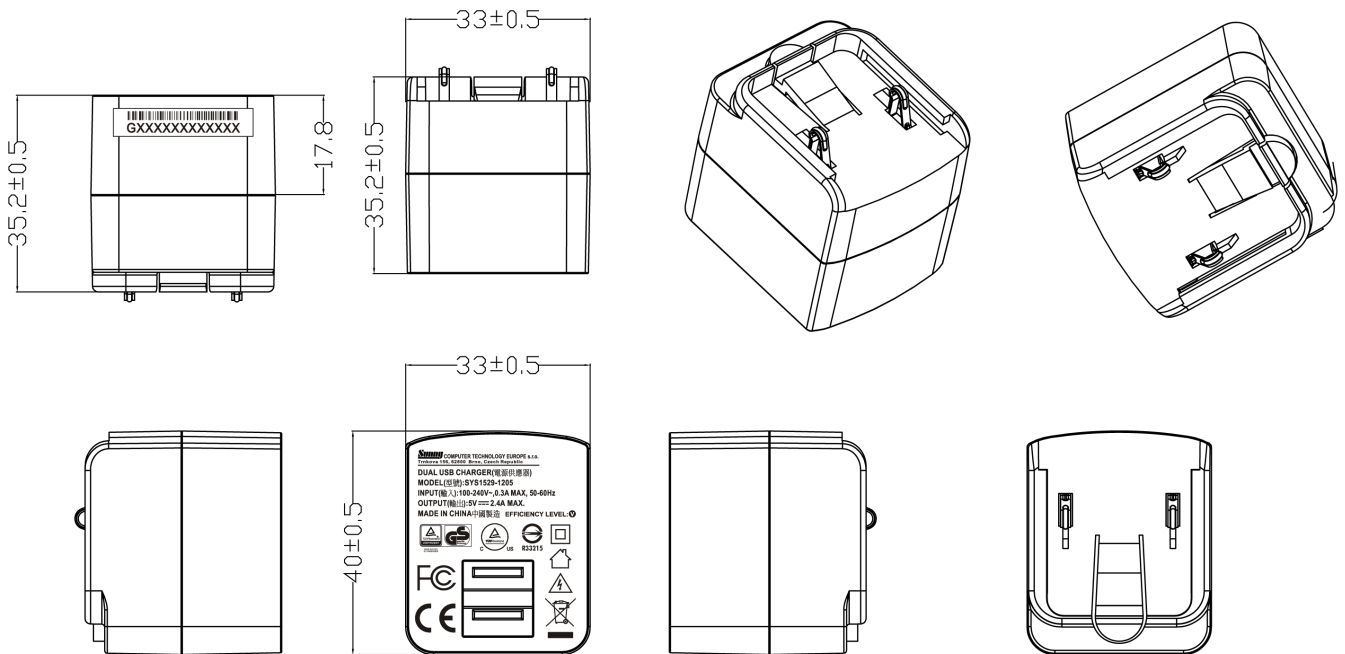
Customer can choose one or more from 5 AC plugs Wxx* (W2 - USA,Canada,Japan | W2A - Australia | W2C - China | W2E - Europe | W3U - England).

Output connector: dual USB inlet

Max load: 2.4A if 1 USB port is used / 1.2A if 2 USB ports are used

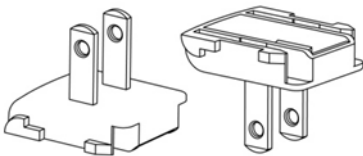
INPUT OUTPUT	Voltage	100-264VAC
	Current	0.3A rms max At AC low line input and DC output full load
	Inrush Current	40/60A max At power supply cold start, ambient temperature 25°C@115VAC/230VVAC nominal AC input
	Power consumption	0.1W rms max At AC nominal input@output no load
	Efficiency	Meet ERP level VI
	Hold up time	3mS min At AC nominal input @ output full load
	Turn delay	5000mS max. At AC low line input @ output full load.
	Ripple noise	250mV
	Burn-in	2 Hour Full Load
PROTECTION	Over current Short protection	Fold back Auto recovery when abnormal circuit faults remove.
	Over Voltage	Voltage limit
	Input protection	2A/250V Fuse The power supply shall be protected against power line surges and any abnormal condition
	Protection class	Class II
SAFETY	CE EMC	2014/30/EU
	CE LVD	2014/35/EU EN 62368
	Safety approvals	CB CE FCC cULus
	Dielectric Strength (Hi-pot)	IEC 320 2pin primary to secondary 3000Vdc 10mA 1min
	Leakage current	0.25 mA max.
ENVIRONMENTAL	Temperature	Operating: 0~35°C / Storage: -20~85°C
	Humidity	Operating: 8%~90%RH / Storage:5%~95% RH
	Cooling	Natural Convection Cooling
OTHER	MTBF	MTBF shall be least 50,000 hours at 25°C (MIL-HDBK-217F)
	Weight	38g/pcs + plug
	Dimension	40x33x35 mm
	Packing	400 pcs 1 box

Mechanical case specification:

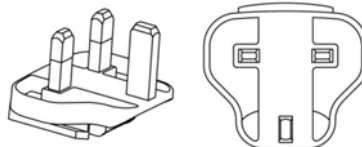


Mechanical specification (country housing):

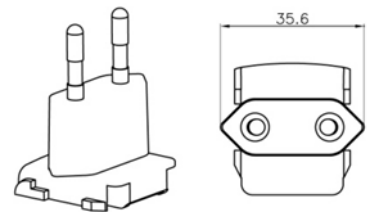
US / Japan type (W2)



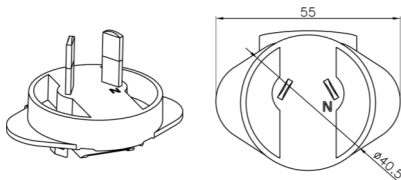
UK type (W3U)



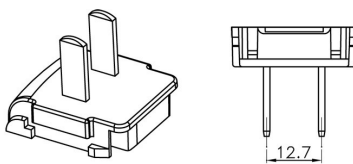
Europe type (W2E)



Australia type (W2A)



China type (W2C)



Country of Origin : China
 Efficiency level (ErP) : VI

GREEN MODE **RoHS**



Specifications

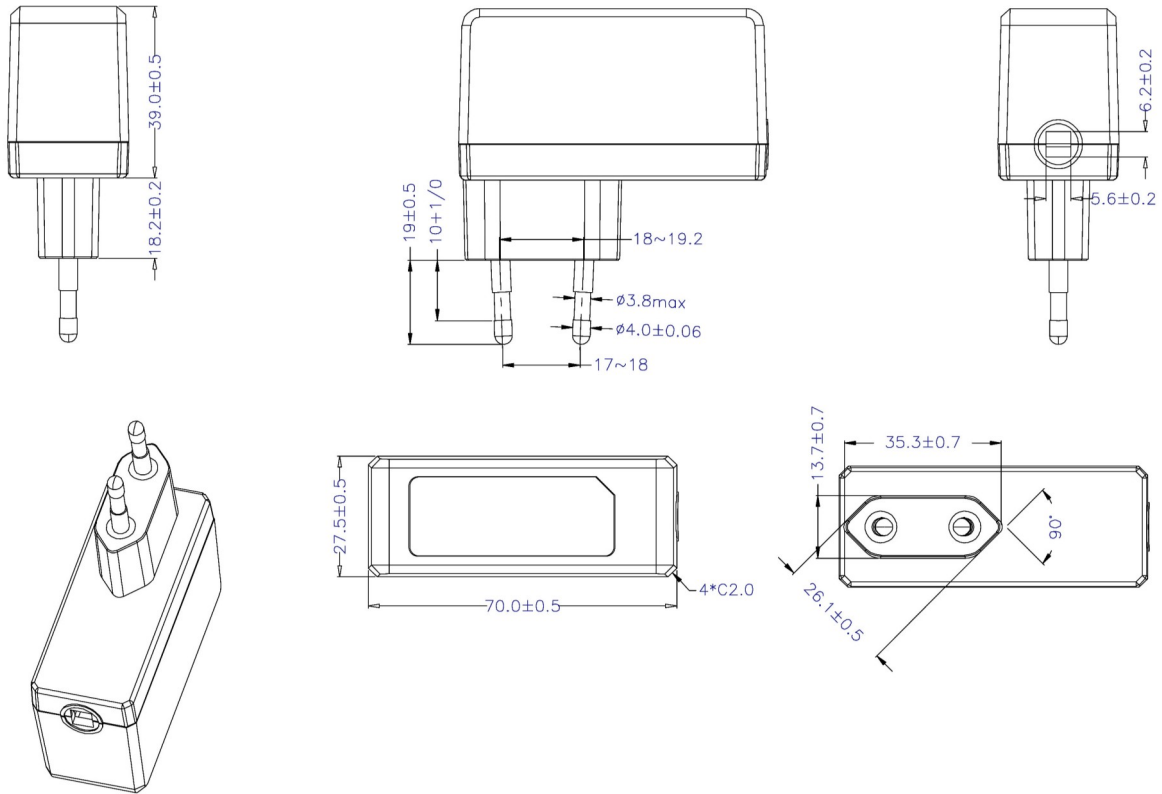
Model	Voltage DC [V]	Loading [A]	Max. Power [W]	Ripple / Noise [mV] p-p	Connector [mm]
SYS1181-1505-W2E	5	0~3.0	15	200	2.1x5.5x11
SYS1181-1506-W2E	6	0~2.5	15	200	2.1x5.5x11
SYS1181-1809-W2E	9	0~2.0	18	200	2.1x5.5x11
SYS1181-1812-W2E	12	0~1.5	18	200	2.1x5.5x11
SYS1181-1815-W2E	15	0~1.2	18	200	2.1x5.5x11
SYS1181-1818-W2E	18	0~1.0	18	200	2.1x5.5x11
SYS1181-1824-W2E	24	0~0.75	18	200	2.1x5.5x11

Features:

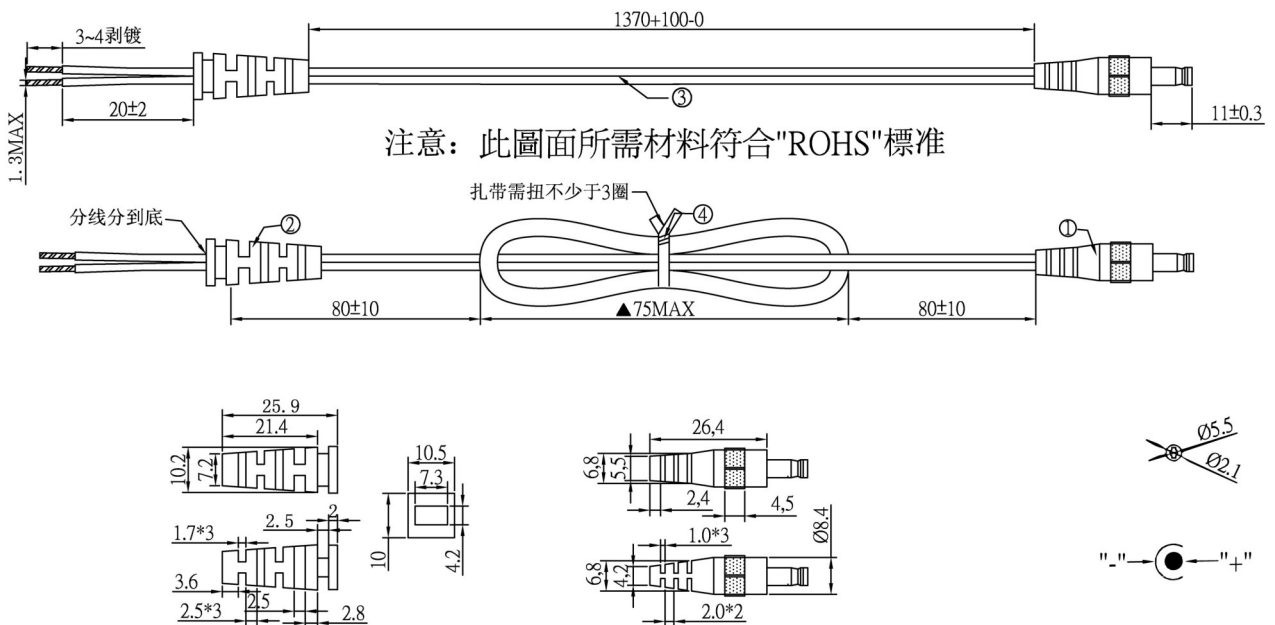
Output connector: standard: 2.1 x 5.5 x 11mm or customer requirement | Regulated Output With Low Ripple Noise | Safety Agency Requirements and EMI/EMS Certified
 Private Label Marking Available | Modified and Custom Design Available | 2 Years Warranty

INPUT OUTPUT	Voltage	90-264VAC
	Current	0.5A max At 100VAC & 240VAC@full load
	Inrush Current	40/60A max At cold start, ambient temperature 25°C nominal AC input 100VAC/240VAC
	Power consumption	0.1W max. with output no load at 115VAC/230VAC input
	Efficiency	Meet ERP level VI
	Hold up time	8mS min At AC nomind input @ output full load
	Turn delay	5000mS max. At AC low line input @ output full load.
	Ripple noise	200mV
	Burn-in	220VAC 80% Load (Ref) 4hours & 40°C +/- 5
PROTECTION	Over current Short protection	Automatic recovery
	Over Voltage	The power supply shall be self-recovering when the fault condition is removed
	Input protection	The switching adaptor use 3.15A fuse
	Protection class	Class II
SAFETY	CE EMC	2014/30/EU
	CE LVD	2014/35/EU IEC 62368
	Safety approvals	TUV/GS FCC
	Dielectric Strength (Hi-pot)	AC3000V,5.0mA,1 minute for type test
	Leakage current	0.25 mA max.
ENVIRONMENTAL	Temperature	Operating: 0~40°C / Storage: -25~50°C
	Humidity	Operating: 20%~80%RH / Storage:5%~95% RH
	Cooling	The power supply will operate with convection cooling. Blocking of vents must not cause damage to the power supply.
OTHER	MTBF	MTBF shall be least 50,000 hours at 25°C (MIL-HDBK-217F)
	Weight	95±3.5 g
	Dimension	70x27x76 mm
	Packing	100 pcs 1 box

Mechanical case specification:



Cable specification:



Country of Origin : China
 Efficiency level (ErP) : VI



GREEN MODE **RoHS**


Specifications

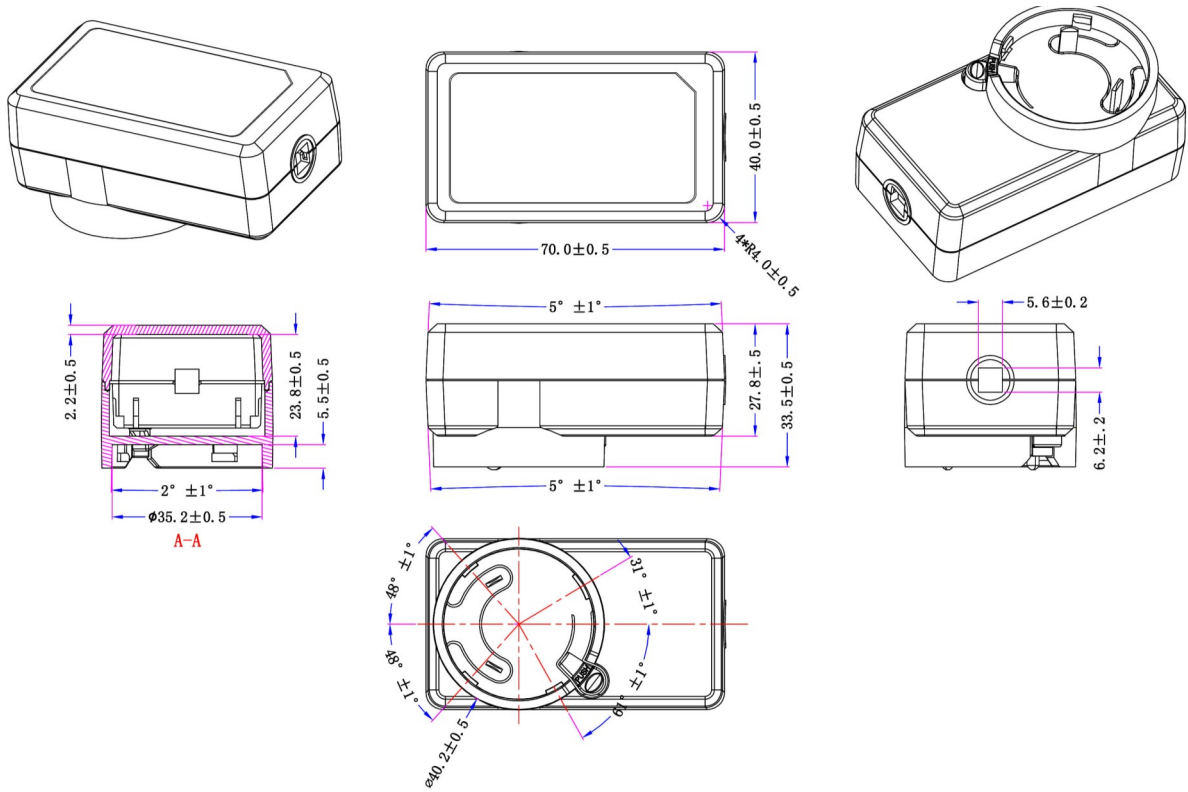
Model	Voltage DC [V]	Loading [A]	Max. Power [W]	Ripple / Noise [mV] p-p	Connector [mm]
SYS1181-1505-Wxx	5	0~3.0	15	200	2.1x5.5x11
SYS1181-1506-Wxx	6	0~2.5	15	200	2.1x5.5x11
SYS1181-1809-Wxx	9	0~2.0	18	200	2.1x5.5x11
SYS1181-1812-Wxx	12	0~1.5	18	200	2.1x5.5x11
SYS1181-1815-Wxx	15	0~1.2	18	200	2.1x5.5x11
SYS1181-1818-Wxx	18	0~1.0	18	200	2.1x5.5x11
SYS1181-1824-Wxx	24	0~0.75	18	200	2.1x5.5x11

Features:

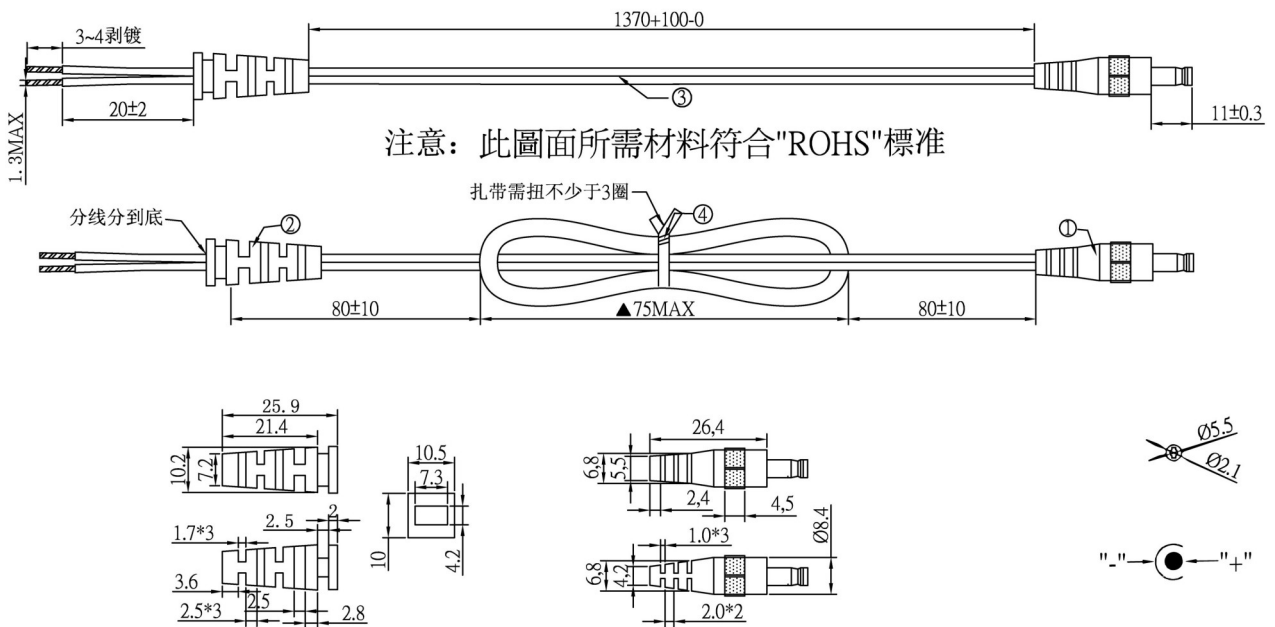
Certified changeable plugs Wxx = W2E - Europe | W3U - England | W2 - USA, Canada, Japan, Taiwan | W2A - Australia
 Output connector: standard: 2.1 x 5.5 x 11mm or customer requirement | Regulated Output With Low Ripple Noise | Safety Agency Requirements and EMI/EMS Certified
 Private Label Marking Available | Modified and Custom Design Available | 2 Years Warranty

INPUT OUTPUT	Voltage	90-264VAC
	Current	0.5A max At 100VAC & 240VAC@full load
	Inrush Current	40/60A max At cold start, ambient temperature 25°C nominal AC input 100VAC/240VAC
	Power consumption	0.1W max. with output no load at 115VAC/230VAC input
	Efficiency	Meet ERP level VI
	Hold up time	8mS min At AC nominal input @ output full load
	Turn delay	5000mS max. At AC low line input @ output full load.
	Ripple noise	200mV
	Burn-in	220VAC 80% Load (Ref) 4hours & 40°C +/- 5
PROTECTION	Over current Short protection	Automatic recovery
	Over Voltage	The power supply shall be self-recovering when the fault condition is removed
	Input protection	The switching adaptor use 3.15A fuse
	Protection class	Class II
SAFETY	CE EMC	2014/30/EU
	CE LVD	2014/35/EU IEC 62368
	Safety approvals	ETL/cETLus TUV/GS FCC CE CB PSE LVD UKCA
	Dielectric Strength (Hi-pot)	AC3000V,5.0mA,1 minute for type test
	Leakage current	0.25 mA max.
ENVIRONMENTAL	Temperature	Operating: 0~40°C / Storage: -25~50°C
	Humidity	Operating: 20%~80%RH / Storage:5%~95% RH
	Cooling	The power supply will operate with convection cooling. Blocking of vents must not cause damage to the power supply.
OTHER	MTBF	MTBF shall be least 50,000 hours at 25°C (MIL-HDBK-217F)
	Weight	95±3.5 g
	Dimension	70x40x33 mm
	Packing	100 pcs 1 box

Mechanical case specification:



Cable specification:



Country of Origin : China

Efficiency level (ErP) : VI

GREEN MODE

RoHS



Specifications

Model	Voltage DC [V]	Loading [A]	Max. Power [W]	Ripple / Noise [mV] p-p	Connector [mm]
SYS1541-1505-Wxx*	5 (setup 5.1)	0~3.0	15	200	2.1x5.5x11
SYS1541-1505-Wxx*	5 (setup 5.1)	0~3.0	15	200	USB-C
SYS1541-1809-Wxx*	9	0~2.0	18	200	2.1x5.5x11
SYS1541-2412-Wxx*	12	0~2.0	24	200	2.1x5.5x11
SYS1541-2415-Wxx*	15	0~1.6	24	200	2.1x5.5x11
SYS1541-2418-Wxx*	18	0~1.33	24	240	2.1x5.5x11
SYS1541-2424-Wxx*	24	0~1.0	24	240	2.1x5.5x11

Features:

Certified plugs

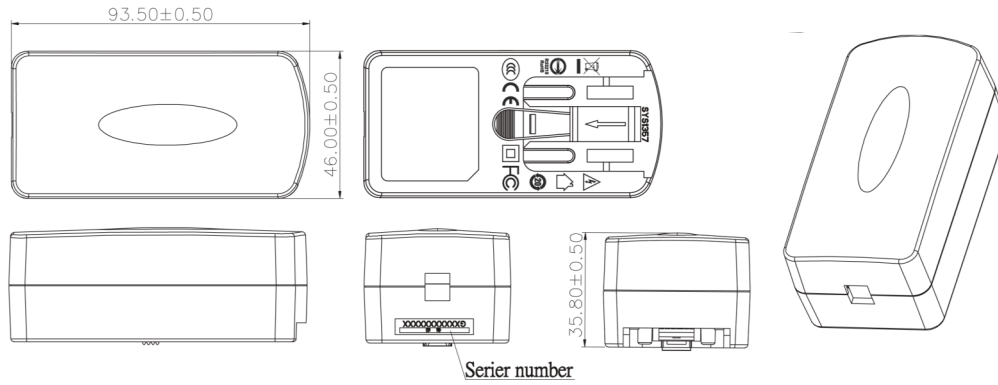
Wxx = W2E - Europe | W3U - England | W2 - USA, Canada, Japan, Taiwan | W2A - Australia | W2B - Brazil | W2G - Argentina | W2C - China | W2K - Korea | W2I - India | W3S - South Africa, India

Output connector: standard: 2.1 x 5.5 x 11mm or customer requirement | Regulated Output With Low Ripple Noise | Safety Agency Requirements and EMI/EMS Certified

Private Label Marking Available | Modified and Custom Design Available | 2 Years Warranty

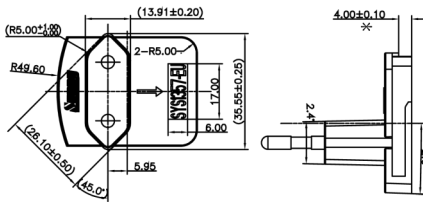
INPUT OUTPUT	Voltage	90-264VAC
	Current	1.0A rms max At AC low line input and DC output full load
	Inrush Current	5mS min At AC nomind input @ output full load
	Power consumption	0.1mW rms max At AC nominal input@output no load
	Efficiency	Meet ERP level VI
	Hold up time	5mS min At AC nomind input @ output full load
	Turn delay	7000mS max. 3S max on the condition that input volotage 230V, full load
	Ripple noise	240mV
	Burn-in	2 Hour Full Load
PROTECTION	Over current Short protection	Fold back Auto recovery when abnormal circuit faults remove.
	Over Voltage	Latch off
	Input protection	1A/250V Fuse The power supply shall be protected against power line surges and any abnormal condition
	Protection class	Class II
SAFETY	CE EMC	2014/30/EU
	CE LVD	2014/35/EU IEC 62368
	Safety approvals	CB CE GS FCC cULus CCC BSMI PSE KCC(1505,2412,2415,2424) RCM PSB(2412,2424) NOM(2412) UKCA EAC INMETRO BIS(2412,2424) S-MARK UkrSEPRO SII SASO(2412,2424,1505)
	Dielectric Strength (Hi-pot)	IEC 320 2pin primary to secondary 3000Vdc 10mA 1min
	Leakage current	0.25 mA max.
ENVIRONMENTAL	Temperature	Operating: 0~40°C / Storage: -20~85°C
	Humidity	Operating: 8%~90%RH / Storage:5%~95% RH
	Cooling	Natural Convection Cooling
OTHER	MTBF	MTBF shall be least 50,000 hours at 25°C (MIL-HDBK-217F)
	Weight	135g
	Dimension	94x46x36 mm
	Packing	63 pcs 1 box

Mechanical case specification:

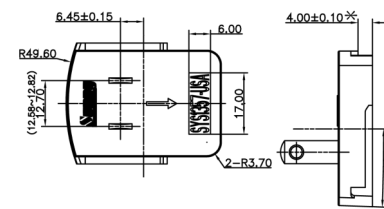


Mechanical specification (country housing):

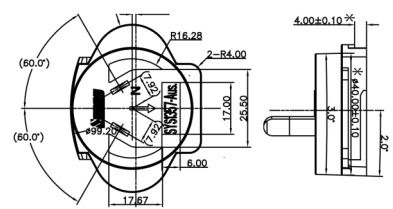
Europe type (W2E)



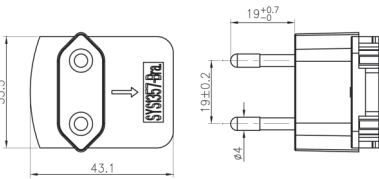
US type (W2)



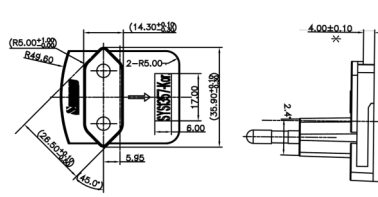
Australia type (W2A)



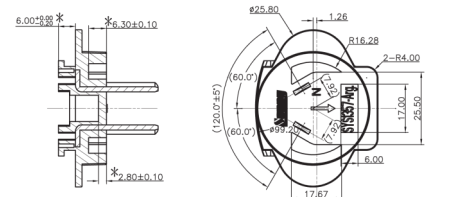
Brazil type (W2B)



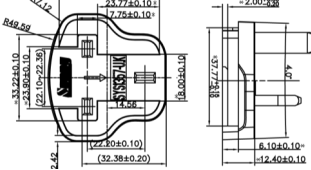
Korea type (W2K)



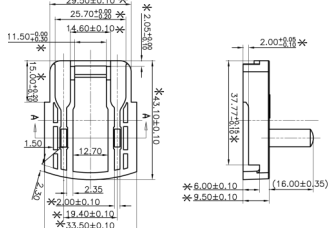
Argentina type (W2G)



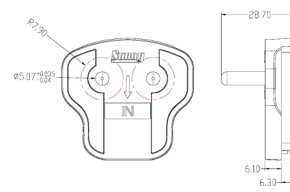
UK type (W3U)



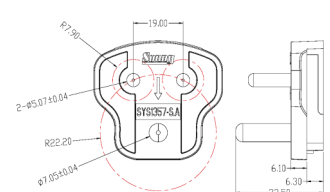
China type (W2C)



India type (W2I)

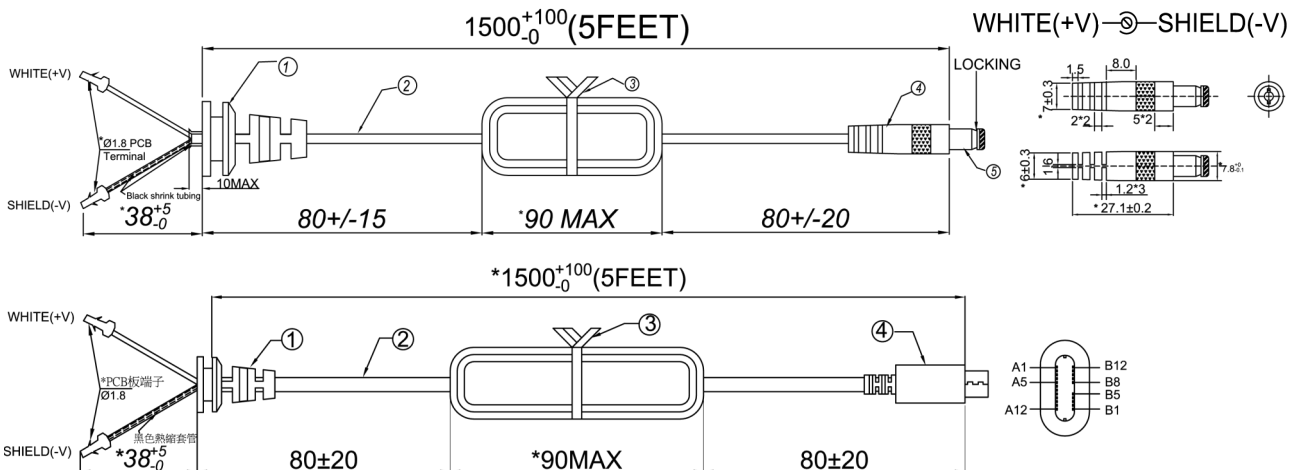


South Africa type (W3S)



Cable specification:

1185#18*1C | 1500mm



Country of Origin : China

Efficiency level (ErP) : VI

GREEN MODE **RoHS**



Specifications

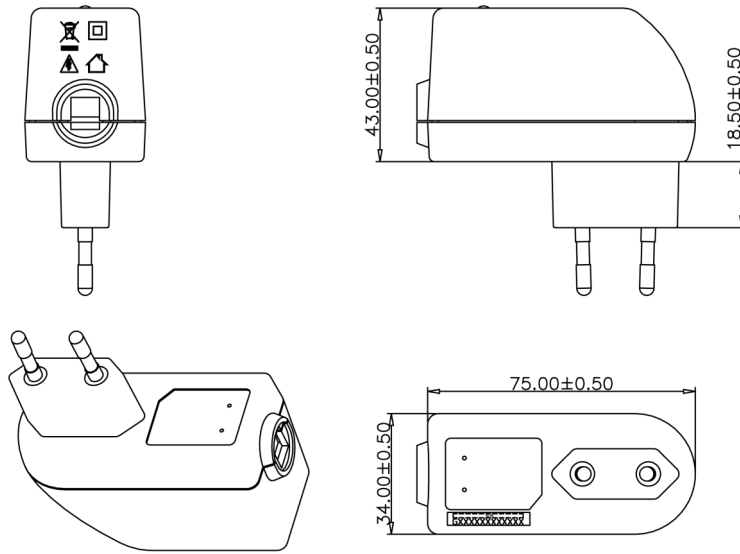
Model	Voltage DC [V]	Loading [A]	Max. Power [W]	Ripple / Noise [mV] p-p	Connector [mm]
SYS1308N-1505-W2E	5 (setup 5.1)	0~3.00	15	150	2.1x5.5x11
SYS1308N-1505-W2E	5 (setup 5.1)	0~3.00	15	200	micro USB
SYS1308N-1807-W2E	7.5	0~2.40	18	180	2.1x5.5x11
SYS1308N-1809-W2E	9	0~2.00	18	180	2.1x5.5x11
SYS1308N-2412-W2E	12	0~2.00	24	200	2.1x5.5x11
SYS1308N-2415-W2E	15	0~1.60	24	200	2.1x5.5x11
SYS1308N-2418-W2E	18	0~1.33	24	240	2.1x5.5x11
SYS1308N-2424-W2E	24	0~1.00	24	240	2.1x5.5x11
SYS1308N-2448-W2E (CE only)	48	0~0.50	24	480	2.1x5.5x11

Features:

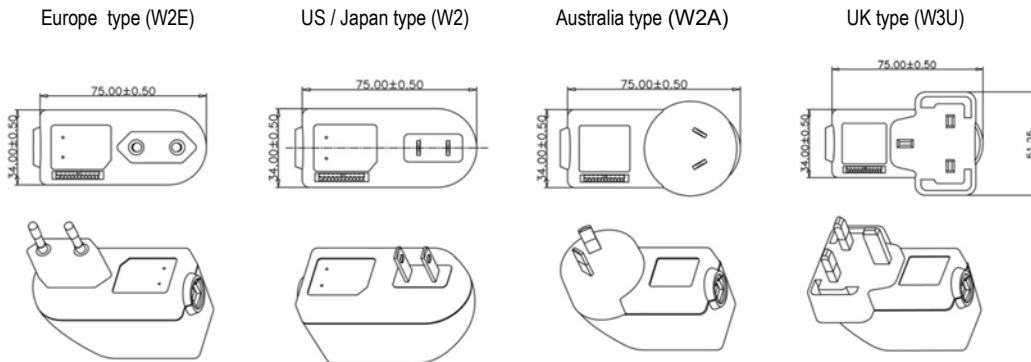
Certified plugs Wxx = W2E - Europe | W3U - England | W2 - USA, Canada, Japan, Taiwan | W2A - Australia | W2K - Korea | W2C - China
 Output connector: standard: 2.1 x 5.5 x 11mm or customer requirement | Regulated Output With Low Ripple Noise | Safety Agency Requirements and EMI/EMS Certified
 Private Label Marking Available | Modified and Custom Design Available | 2 Years Warranty

INPUT OUTPUT	Voltage	90-264VAC
	Current	1.0A rms max At AC low line input and DC output full load
	Inrush Current	60A max At cold start, ambient temperature 25°C nominal AC input 115VAC/230VAC
	Power consumption	0.1W rms max At AC nominal input@output no load
	Efficiency	Meet ERP level VI
	Hold up time	5mS min At AC nominal input @ output full load
	Turn delay	3000mS max. 3S max on the condition that input voltage 230V, full load
	Ripple noise	200mV
PROTECTION	Burn-in	Ambient temp: 35C+ -3%/80% load/input voltage 230V/2 hours.
	Over current Short protection	Fold back Auto recovery when abnormal circuit faults remove.
	Over Voltage	Voltage limit
	Input protection	2A/250V Fuse F2 connected from MOV(Varistor) to remaining PS circuitry to protect PS from excessive current draw.
SAFETY	Protection class	Class II
	CE EMC	2014/30/EU
	CE LVD	2014/35/EU IEC 62368
	Safety approvals	CB CE GS
	Dielectric Strength (Hi-pot)	IEC 320 2pin primary to secondary 4000Vdc 10mA 1min
ENVIRONMENTAL	Leakage current	0.25 mA max.
	Temperature	Operating: 0~40°C / Storage: -20~85°C
	Humidity	Operating: 8%~90%RH / Storage: 5%~95% RH
OTHER	Cooling	Natural Convection Cooling
	MTBF	MTBF shall be least 50,000 hours at 25°C (MIL-HDBK-217F)
	Weight	130g
	Dimension	75x34x42 mm
Packing	80 pcs 1 box	

Mechanical case specification:



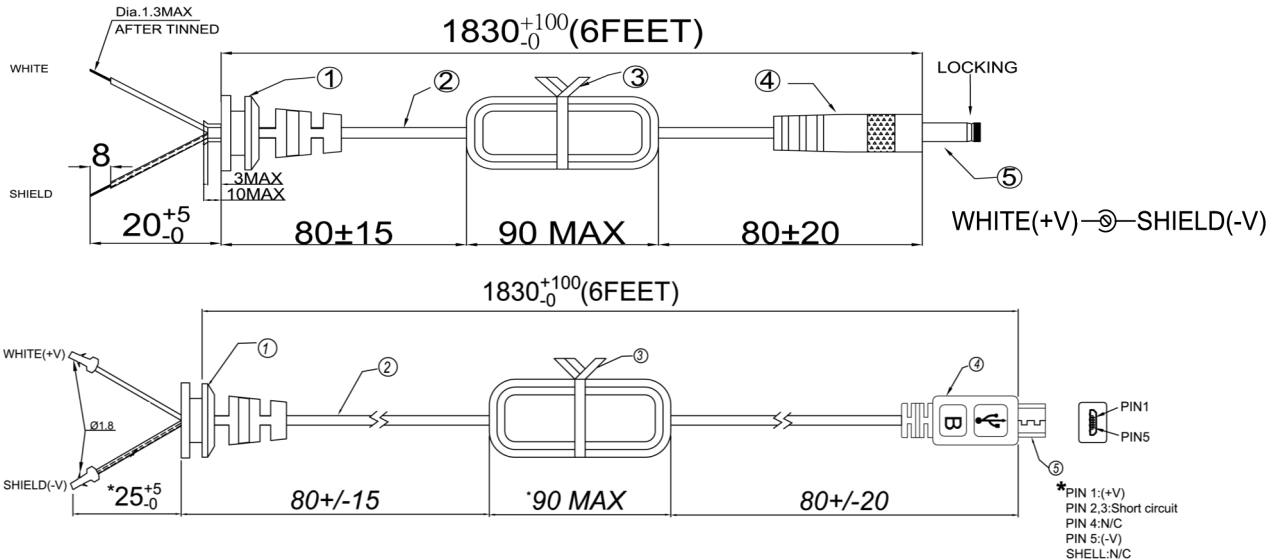
Mechanical specification (country housing):



Cable specification:

1185#20*1C + shield / 6FT (1830mm)

Micro USB : 1185#18*1C + shield / 6FT (1830mm)



Country of Origin : China

Efficiency level (ErP) : VI

GREEN MODE RoHS

Specifications

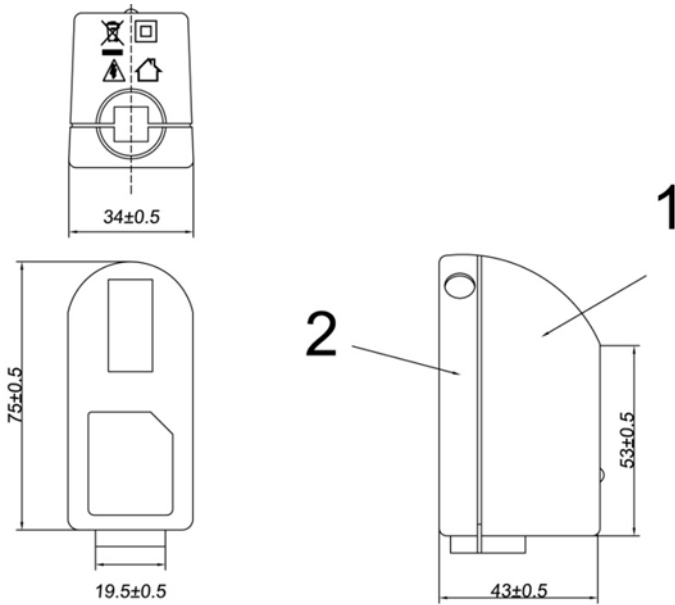
Model	Voltage DC [V]	Loading [A]	Max. Power [W]	Ripple / Noise [mV] p-p	Connector [mm]
SYS1308N-2412-special	12	0~2.00	24	200	2.1x5.5x11

Features:

 Output connector: standard: 2.1 x 5.5 x 11mm or customer requirement | Regulated Output With Low Ripple Noise | Safety Agency Requirements and EMI/EMS Certified
 Private Label Marking Available | Modified and Custom Design Available | 2 Years Warranty

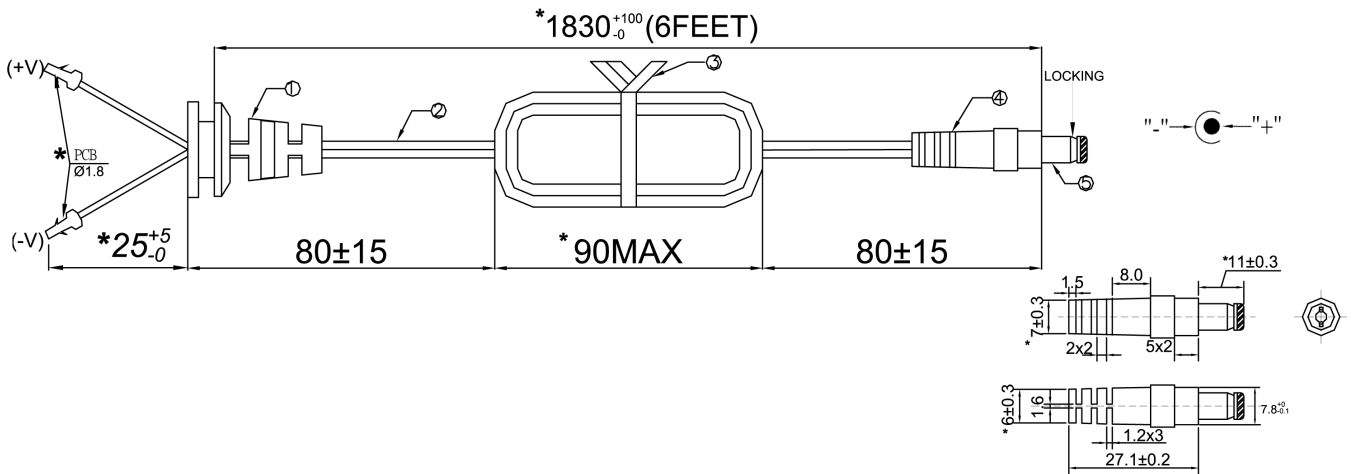
INPUT OUTPUT	Voltage	90-264VAC
	Current	1.0A rms max At AC low line input and DC output full load
	Inrush Current	60A max At cold start, ambient temperature 25°C nominal AC input 115VAC/230VAC
	Power consumption	0.1W rms max At AC nominal input@output no load
	Efficiency	Meet ERP level VI
	Hold up time	5mS min At AC nominal input @ output full load
	Turn delay	3000mS max. 3S max on the condition that input voltage 230V, full load
	Ripple noise	200mV
Burn-in	Ambient temp: 35C+3%/80% load/input voltage 230V/2 hours.	
PROTECTION	Over current Short protection	Fold back Auto recovery when abnormal circuit faults remove.
	Over Voltage	Voltage limit
	Input protection	2A/250V Fuse F2 connected from MOV(Varistor) to remaining PS circuitry to protect PS from excessive current draw.
	Protection class	Class II
SAFETY	CE EMC	2014/30/EU
	CE LVD	2014/35/EU IEC 62368
	Safety approvals	CB CE GS
	Dielectric Strength (Hi-pot)	IEC 320 2pin primary to secondary 4000Vdc 10mA 1min
	Leakage current	0.25 mA max.
ENVIRONMENTAL	Temperature	Operating: 0~40°C / Storage: -20~85°C
	Humidity	Operating: 8%~90%RH / Storage:5%~95% RH
	Cooling	Natural Convection Cooling
OTHER	MTBF	MTBF shall be least 50,000 hours at 25°C (MIL-HDBK-217F)
	Weight	130g
	Dimension	75x34x42 mm
	Packing	80 pcs 1 box

Mechanical case specification:

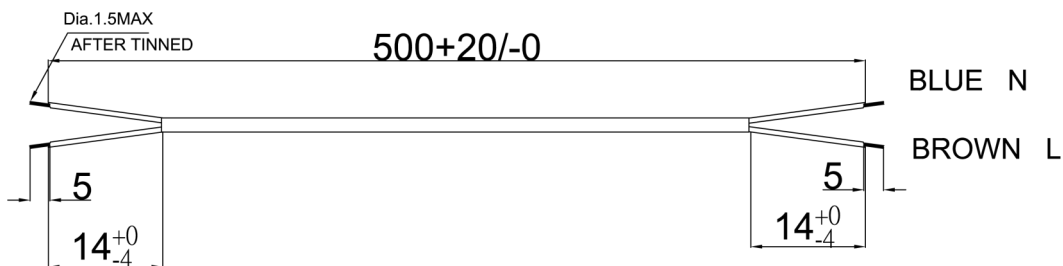


Cable specification:

A) DC-output: STP-1#18AWG*2C (2.1*5.5*11)



B) AC-input :



Country of Origin :: China
Efficiency level (ErP) : VI

GREEN MODE RoHS



Specifications

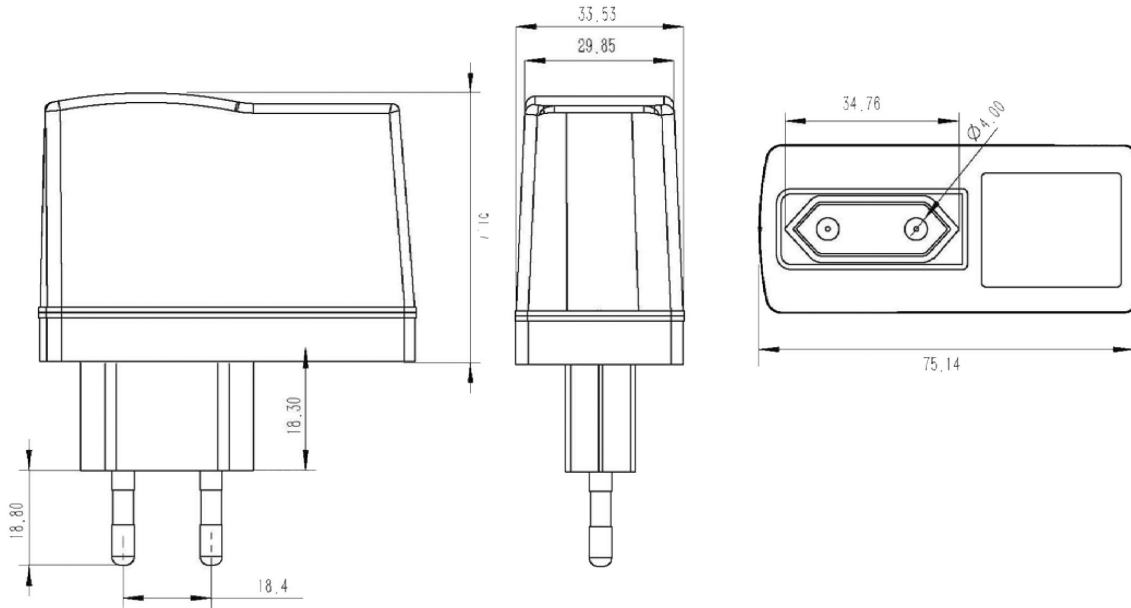
Model	Voltage DC [V]	Loading [A]	Max. Power [W]	Ripple / Noise [mV] p-p	Connector [mm]
SYS1588-2005-W2E	5.1	0~4	20.4	120	2.1x5.5x11
SYS1588-2005-W2E	5.1	0~4	20.4	120	USB-C
SYS1588-2406-W2E	6	0~4	24	120	2.1x5.5x11
SYS1588-3009-W2E	9	0~3.33	30	120	2.1x5.5x11
SYS1588-3012-W2E	12	0~2.5	30	200	2.1x5.5x11
SYS1588-3015-W2E	15	0~2.0	30	200	2.1x5.5x11
SYS1588-3018-W2E	18	0~1.66	30	240	2.1x5.5x11
SYS1588-3024-W2E	24	0~1.25	30	240	2.1x5.5x11
SYS1588-3048-W2E	48	0~0.63	30	400	2.1x5.5x11

Features:

Output connector: standard: 2.1 x 5.5 x 11mm or customer requirement | Regulated Output With Low Ripple Noise | Safety Agency Requirements and EMI/EMS Certified
Private Label Marking Available | Modified and Custom Design Available | 2 Years Warranty

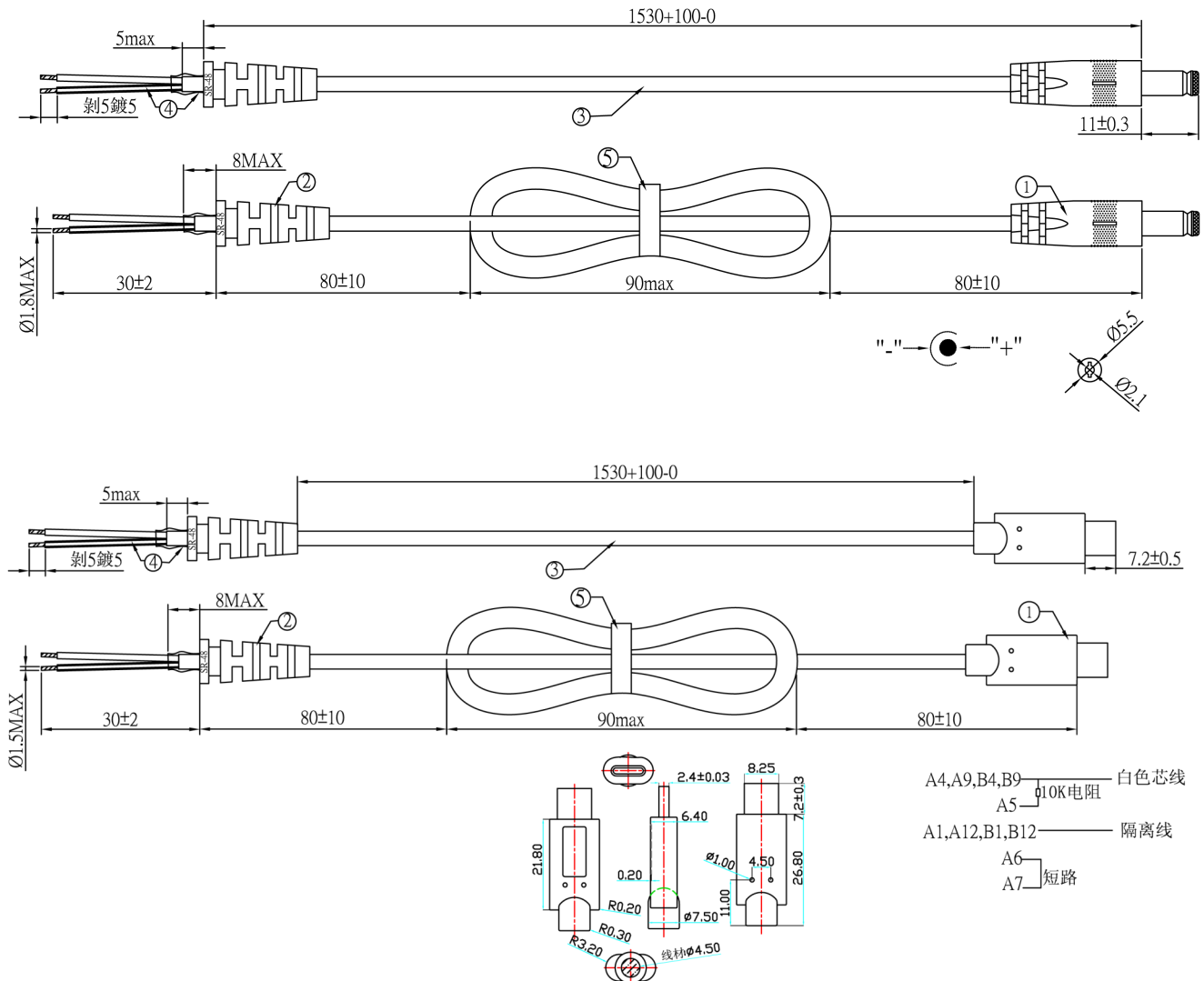
INPUT OUTPUT	Voltage	90-264VAC
	Current	1.5A max At 100VAC & 240VAC@full load
	Inrush Current	40/60A max At cold start, ambient temperature 25°C nominal AC input 100VAC/240VAC
	Power consumption	0.1W max. with output no load at 115VAC/230VAC input
	Efficiency	Meet ERP level VI
	Hold up time	8mS min At AC nomind input @ output full load
	Turn delay	5000mS max. At AC low line input @ output full load.
	Ripple noise	200mV
PROTECTION	Burn-in	220VAC 80% Load (Ref) 2hours & 40°C +/- 5°C
	Over current Short protection	Automatic recovery
	Over Voltage	The power supply shall be self-recovering when the fault condition is removed
	Input protection	The switching adaptor use 3.15A fuse.
SAFETY	Protection class	Class II
	CE EMC	2014/30/EU
	CE LVD	2014/35/EU EN 62368
	Safety approvals	GS CE CB EAC CCC
	Dielectric Strength (Hi-pot)	AC3000V,5.0mA,1 minute for type test
ENVIRONMENTAL	Leakage current	0.25 mA max.
	Temperature	Operating: 0~40°C / Storage: -20~50°C
	Humidity	Operating: 20%~80%RH / Storage:5%~95% RH
OTHER	Cooling	The power supply will operate with convection cooling. Blocking of vents must not cause damage to the power supply.
	MTBF	MTBF shall be least 50,000 hours at 25°C (MIL-HDBK-217F)
	Weight	179g
	Dimension	75x34x92 mm
Packing	80 pcs 1 box / 100 pcs 1 box (just for model SYS1588-2005-W2E)	

Mechanical case specification:



Cable specification:

1185#16AWG*1C|



Country of Origin : China
Efficiency level (ErP) : VI

GREEN MODE RoHS



Specifications

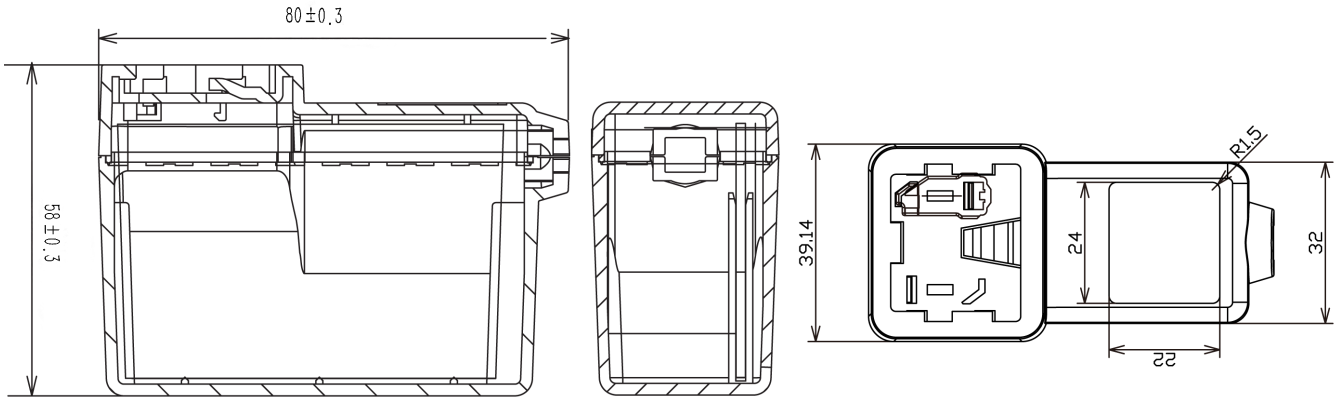
Model	Voltage DC [V]	Loading [A]	Max. Power [W]	Ripple / Noise [mV] p-p	Connector [mm]
SYS1588-2005-Wxx*	5.1	0~4.0	20.4	120	2.1x5.5x11
SYS1588-2406-Wxx*	6	0~4.0	24	120	2.1x5.5x11
SYS1588-2709-Wxx*	9	0~3.0	27	120	2.1x5.5x11
SYS1588-3012-Wxx*	12	0~2.5	30	200	2.1x5.5x11
SYS1588-3015-Wxx*	15	0~2.0	30	200	2.1x5.5x11
SYS1588-3018-Wxx*	18	0~1.66	30	240	2.1x5.5x11
SYS1588-3024-Wxx*	24	0~1.25	30	240	2.1x5.5x11
SYS1588-3048-Wxx*	48	0~0.63	30	400	2.1x5.5x11

Features:

Certified plugs Wxx = W2E - Europe | W3U - England | W2 - USA, Canada, Japan, Taiwan | W2A - Australia | W2C - China | W2K - Korea
Output connector: standard: 2.1 x 5.5 x 11mm or customer requirement | Regulated Output With Low Ripple Noise | Safety Agency Requirements and EMI/EMS Certified
Private Label Marking Available | Modified and Custom Design Available | 2 Years Warranty

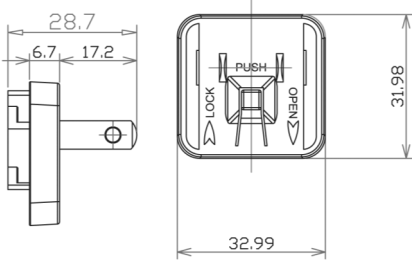
INPUT OUTPUT	Voltage	90-264VAC
	Current	1.5A max At 100VAC & 240VAC@full load
	Inrush Current	40/60A max At cold start, ambient temperature 25°C nominal AC input 100VAC/240VAC
	Power consumption	0.1W max. with output no load at 115VAC/230VAC input
	Efficiency	Meet ERP level VI
	Hold up time	8mS min At AC nomind input @ output full load
	Turn delay	5000mS max. At AC low line input @ output full load.
	Ripple noise	200mV
	Burn-in	220VAC 80% Load (Ref) 4hours & 40°C +/- 5°C
PROTECTION	Over current Short protection	Automatic recovery
	Over Voltage	The power supply shall be self-recovering when the fault condition is removed
	Input protection	The switching adaptor use 3.15A fuse.
	Protection class	Class II
SAFETY	CE EMC	2014/30/EU
	CE LVD	2014/35/EU EN 62368
	Safety approvals	cTUVus FCC GS CE CB RCM PSE EAC LVD UKCA CCC
	Dielectric Strength (Hi-pot)	AC3000V,5.0mA,1 minute for type test
	Leakage current	0.25 mA max.
ENVIRONMENTAL	Temperature	Operating: 0~40°C / Storage: -20~50°C
	Humidity	Operating: 20%~80%RH / Storage:5%~95% RH
	Cooling	The power supply will operate with convection cooling. Blocking of vents must not cause damage to the power supply.
OTHER	MTBF	MTBF shall be least 50,000 hours at 25°C (MIL-HDBK-217F)
	Weight	152g
	Dimension	80x58x39 mm
	Packing	80 pcs 1 box / 100 pcs 1 box (just for model SYS1588-2406)

Mechanical case specification:

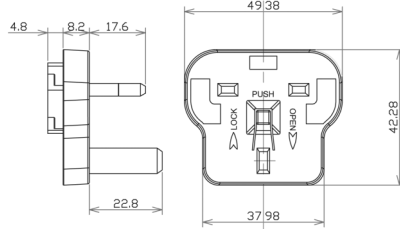


Mechanical specification (country housing):

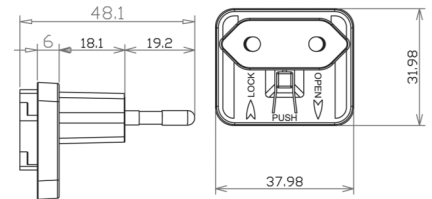
US / Japan type (W2)



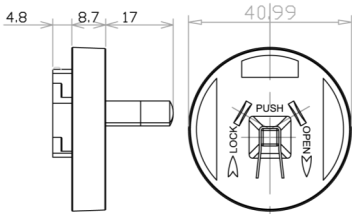
UK type (W3U)



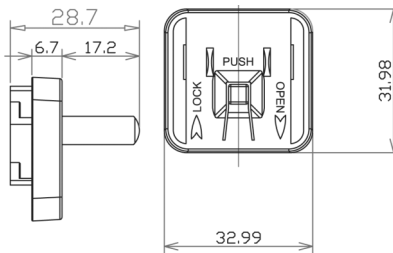
Europe type (W2E)



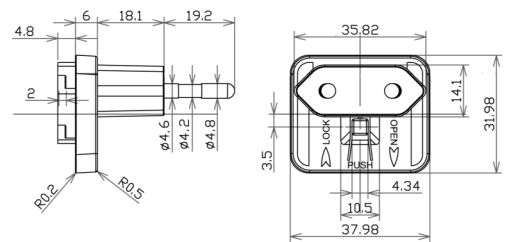
Australia type (W2A)



China type (W2C)

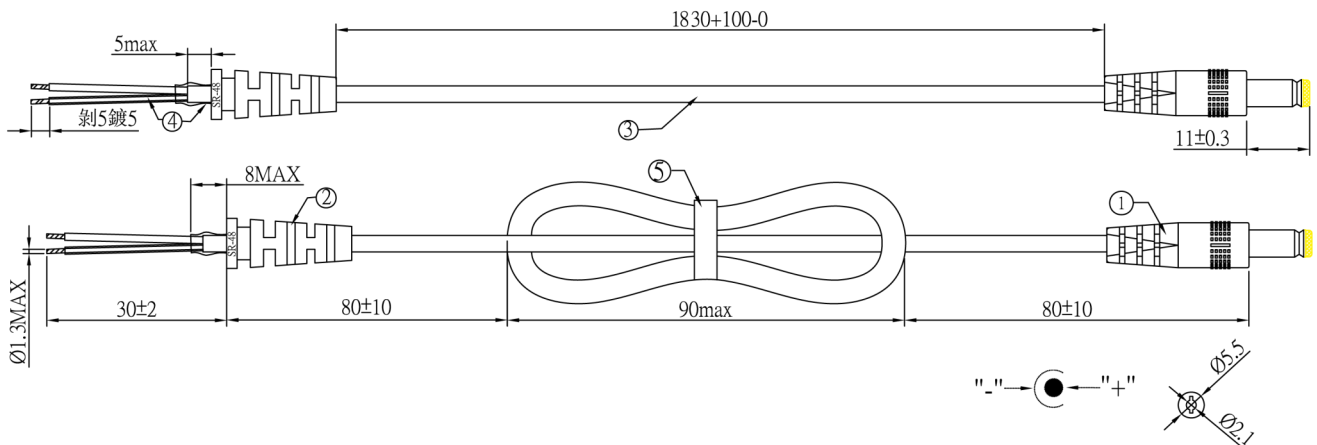


Korea type (W2K)



Cable specification:

1185#16AWG*1C/5FEET / 1185#20AWG/6FEET|1530mm -1830mm



Country of Origin : China
Efficiency level (ErP) : VI

GREEN MODE **RoHS**



Specifications

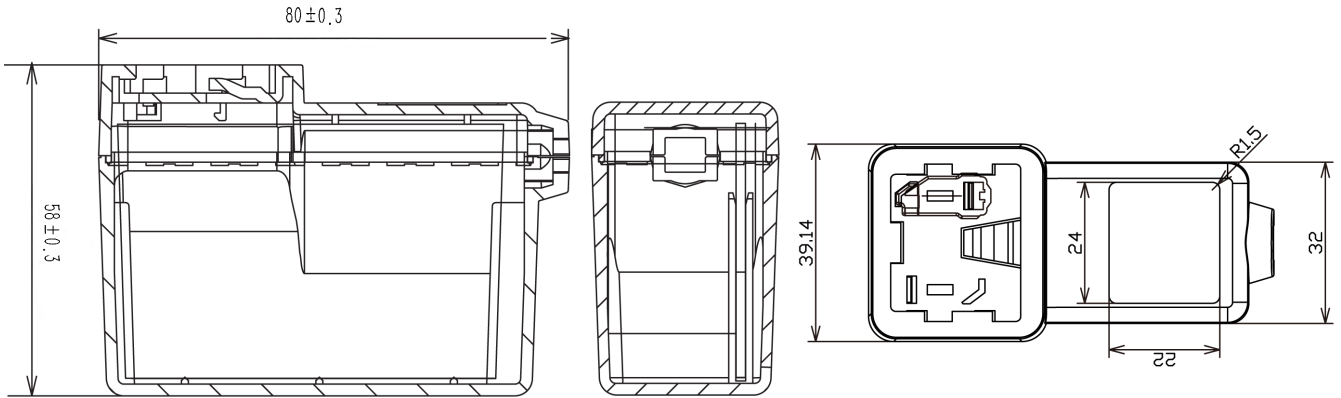
Model	Voltage DC [V]	Loading [A]	Max. Power [W]	Ripple / Noise [mV] p-p	Connector [mm]
SYS1588-2505-Wxx*	5	0~5	25	120	2.1x5.5x11
SYS1588-3609-Wxx*	9	0~4	36	120	2.1x5.5x11
SYS1588-4012-Wxx*	12	0~3.3	40	200	2.1x5.5x11
SYS1588-4015-Wxx*	15	0~2.6	40	200	2.1x5.5x11
SYS1588-4018-Wxx*	18	0~2.2	40	240	2.1x5.5x11
SYS1588-4024-Wxx*	24	0~1.6	40	240	2.1x5.5x11
SYS1588-4048-Wxx*	48	0~0.8	40	400	2.1x5.5x11

Features:

Certified plugs Wxx = W2E - Europe | W3U - England | W2 - USA, Canada, Japan, Taiwan | W2A - Australia | W2C - China | W2K - Korea
Output connector: standard: 2.1 x 5.5 x 11mm or customer requirement | Regulated Output With Low Ripple Noise | Safety Agency Requirements and EMI/EMS Certified
Private Label Marking Available | Modified and Custom Design Available | 2 Years Warranty

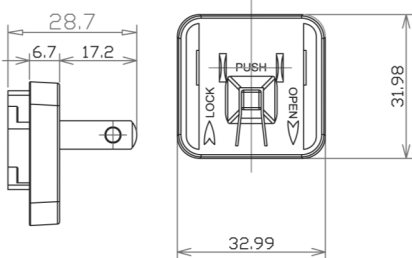
INPUT OUTPUT	Voltage	90-264VAC
	Current	1.5A max At 100VAC & 240VAC@full load
	Inrush Current	40/60A max At cold start, ambient temperature 25°C nominal AC input 100VAC/240VAC
	Power consumption	0.1W max. with output no load at 115VAC/230VAC input
	Efficiency	Meet ERP level VI
	Hold up time	8mS min At AC nomind input @ output full load
	Turn delay	5000mS max. At AC low line input @ output full load.
	Ripple noise	200mV
	Burn-in	220VAC 80% Load (Ref) 2hours & 40°C +/- 5°C
PROTECTION	Over current Short protection	Automatic recovery
	Over Voltage	The power supply shall be self-recovering when the fault condition is removed
	Input protection	The switching adaptor use 3.15A fuse.
	Protection class	Class II
SAFETY	CE EMC	2014/30/EU
	CE LVD	2014/35/EU EN 62368
	Safety approvals	cTUVus FCC GS CE CB RCM PSE EAC LVD UKCA CCC
	Dielectric Strength (Hi-pot)	AC3000V,5.0mA,1 minute for type test
	Leakage current	0.25 mA max.
ENVIRONMENTAL	Temperature	Operating: 0~40°C / Storage: -20~50°C
	Humidity	Operating: 20%~80%RH / Storage:5%~95% RH
	Cooling	The power supply will operate with convection cooling. Blocking of vents must not cause damage to the power supply.
OTHER	MTBF	MTBF shall be least 50,000 hours at 25°C (MIL-HDBK-217F)
	Weight	175g
	Dimension	80x58x39 mm
	Packing	80 pcs 1 box

Mechanical case specification:

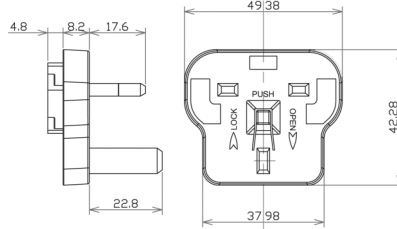


Mechanical specification (country housing):

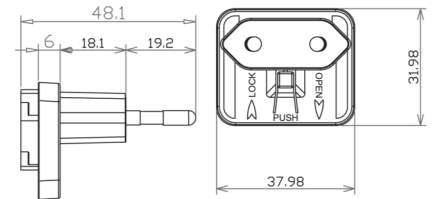
US / Japan type (W2)



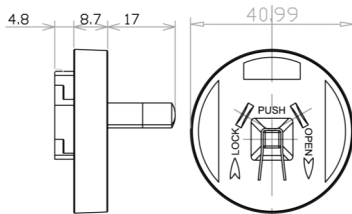
UK type (W3U)



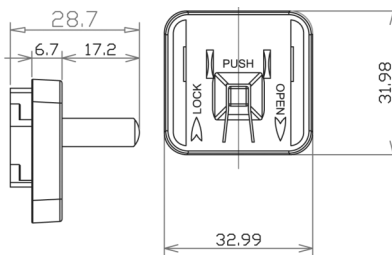
Europe type (W2E)



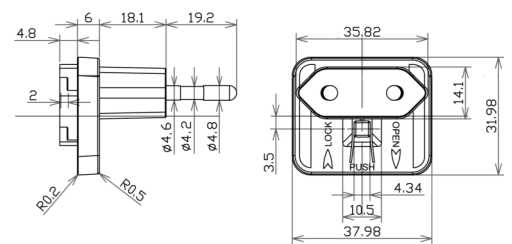
Australia type (W2A)



China type (W2C)

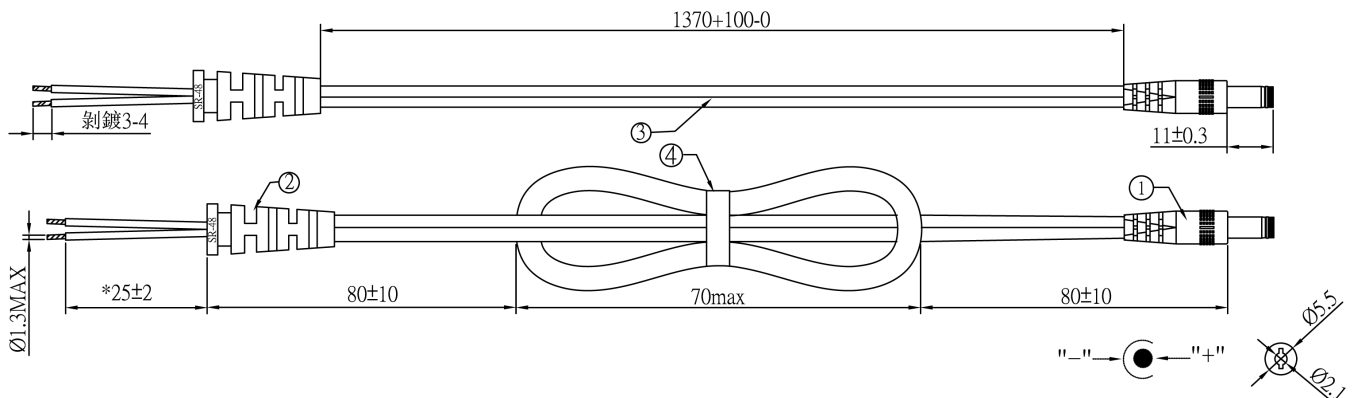


Korea type (W2K)



Cable specification:

2468#18AWG*2C



Country of Origin : China
Efficiency level (ErP) : VI



GREEN MODE **RoHS**



Specifications

Model	Voltage DC [V]	Loading [A]	Max. Power [W]	Ripple / Noise [mV] p-p	Connector [mm]
SYS1001-0505-T2	5	0~1.0	5	150	2.1x5.5x11
SYS1001-0608-T2	7.5	0~0.8	6	150	2.1x5.5x11
SYS1001-0609-T2	9	0~0.66	6	150	2.1x5.5x11
SYS1001-0612-T2	12	0~0.5	6	150	2.1x5.5x11
SYS1001-0615-T2	15	0~0.4	6	200	2.1x5.5x11
SYS1001-0618-T2	18	0~0.33	6	200	2.1x5.5x11
SYS1001-0624-T2	24	0~0.25	6	240	2.1x5.5x11

Features:

Available in inlet version: C7 (T2)
Output connector: standard: 2.1 x 5.5 x 11mm or customer requirement | Regulated Output With Low Ripple Noise | Safety Agency Requirements and EMI/EMS Certified
Private Label Marking Available | Modified and Custom Design Available | 2 Years Warranty

INPUT OUTPUT	Voltage	90-264VAC
	Current	0.5A rms max At AC low line input and DC output full load
	Inrush Current	30/40A max At cold start, ambient temperature 25°C nominal AC input 100VAC/240VAC
	Power consumption	0.1W max. with output no load at 115VAC/230VAC input
	Efficiency	Meet ERP level VI
	Hold up time	8mS min At AC nomind input @ output full load
	Turn delay	3000mS max. At AC low line input @ output full load
	Burn-in	Full load 2 Hours
PROTECTION	Over current Short protection	Automatic recovery
	Over Voltage	The power supply will not be auto recovered when faults remove 110%-150%. (Voltage limit)
	Input protection	F1:1A 250V Fuse The power supply shall be protected against power line surges and any abnormal condition
	Protection class	Class II
SAFETY	CE EMC	2014/30/EU
	CE LVD	2014/35/EU EN 62368
	Safety approvals	cTUVus FCC GS CE CB RCM PSE EAC UKCA
	Dielectric Strength (Hi-pot)	I/P-O/P:3000VAC
	Leakage current	0.25 mA max.
ENVIRONMENTAL	Temperature	Operating: 0~40°C / Storage: -20~80°C
	Humidity	Operating: 0%~90%RH / Storage:0%~90% RH
	Cooling	Natural Convection Cooling
OTHER	MTBF	MTBF shall be least 50,000 hours at 25°C (MIL-HDBK-217F)
	Weight	98g
	Dimension	93x50x33 mm
	Packing	50 pcs 1 box

Country of Origin : China
Efficiency level (ErP) : VI



GREEN MODE **RoHS**



Specifications

Model	Voltage DC [V]	Loading [A]	Max. Power [W]	Ripple / Noise [mV] p-p	Connector [mm]
SYS1001-0703-T2	3,3	0~2.2	7.26	120	2.1x5.5x11
SYS1001-1105-T2	5	0~2.1	10	120	2.1x5.5x11
SYS1001-1108-T2	7,5	0~1.6	11	120	2.1x5.5x11
SYS1001-0909-T2	9	0~1.33	9	120	2.1x5.5x11
SYS1001-1212-T2	12	0~1.0	12	200	2.1x5.5x11
SYS1001-1215-T2	15	0~0.8	12	200	2.1x5.5x11
SYS1001-1218-T2	18	0~0.66	12	240	2.1x5.5x11
SYS1001-1224-T2	24	0~0.5	12	240	2.1x5.5x11

Features:

Available in inlet version: C7 (T2)
Output connector: standard: 2.1 x 5.5 x 11mm or customer requirement | Regulated Output With Low Ripple Noise | Safety Agency Requirements and EMI/EMS Certified
Private Label Marking Available | Modified and Custom Design Available | 2 Years Warranty

INPUT OUTPUT	Voltage	90-264VAC
	Current	0.5A max At 100VAC & 240VAC@full load
	Inrush Current	40/60A max At cold start, ambient temperature 25°C nominal AC input 100VAC/240VAC
	Power consumption	0.1W max. with output no load at 115VAC/230VAC input
	Efficiency	Meet ERP level VI
	Hold up time	8mS min At AC nomind input @ output full load
	Turn delay	5000mS max. At AC low line input @ output full load.
	Ripple noise	200mV
Burn-in	220VAC 80% Load (Ref) 2hours & 40°C +/- 5°C	
PROTECTION	Over current Short protection	Automatic recovery
	Over Voltage	The power supply shall be self-recovering when the fault condition is removed
	Input protection	The switching adaptor use 0.68-10R fuse.
	Protection class	Class II
SAFETY	CE EMC	2014/30/EU
	CE LVD	2014/35/EU EN 62368
	Safety approvals	cTUVus FCC GS CE CB RCM PSE EAC UKCA
	Dielectric Strength (Hi-pot)	I/P-O/P:3000VAC
	Leakage current	0.25 mA max.
ENVIRONMENTAL	Temperature	Operating: 0~40°C / Storage: -20~50°C
	Humidity	Operating: 20%~80%RH / Storage:5%~95% RH
	Cooling	The power supply will operate with convection cooling. Blocking of vents must not cause damage to the power supply.
OTHER	MTBF	MTBF shall be least 50,000 hours at 25°C (MIL-HDBK-217F)
	Weight	108g
	Dimension	93x50x33 mm
	Packing	50 pcs 1 box

Country of Origin : China
Efficiency level (ErP) : VI



GREEN MODE **RoHS**



Specifications

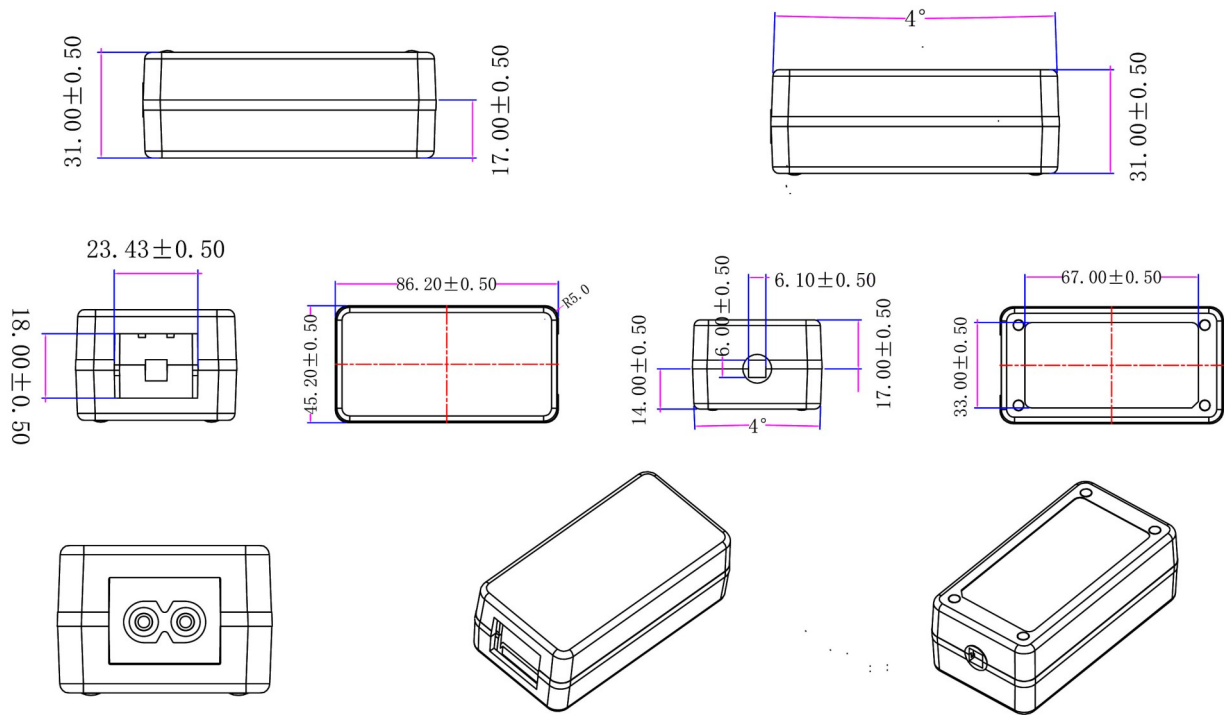
Model	Voltage DC [V]	Loading [A]	Max. Power [W]	Ripple / Noise [mV] p-p	Connector [mm]
SYS1181-1505-T2	5	0~3.0	15	200	2.1x5.5x11
SYS1181-1506-T2	6	0~2.5	15	200	2.1x5.5x11
SYS1181-1809-T2	9	0~2.0	18	200	2.1x5.5x11
SYS1181-1812-T2	12	0~1.5	18	200	2.1x5.5x11
SYS1181-1815-T2	15	0~1.2	18	200	2.1x5.5x11
SYS1181-1818-T2	18	0~1.0	18	200	2.1x5.5x11
SYS1181-1824-T2	24	0~0.75	18	200	2.1x5.5x11

Features:

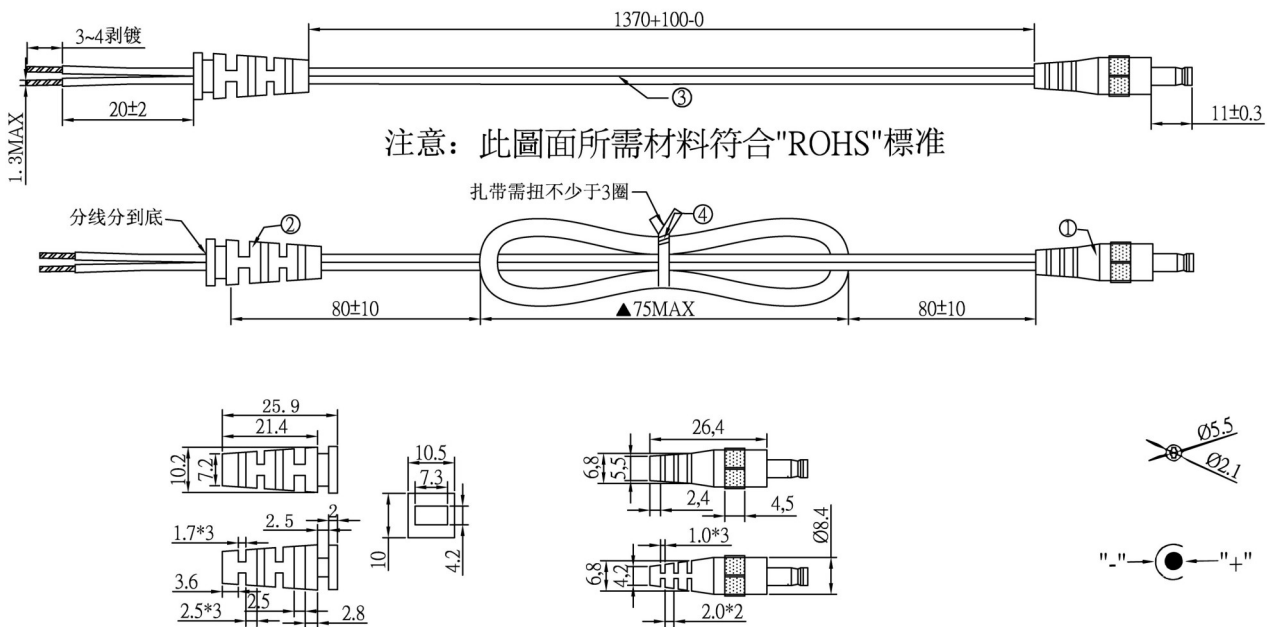
Output connector: standard: 2.1 x 5.5 x 11mm or customer requirement | Regulated Output With Low Ripple Noise | Safety Agency Requirements and EM/EMS Certified
Private Label Marking Available | Modified and Custom Design Available | 2 Years Warranty

INPUT OUTPUT	Voltage	90-264VAC
	Current	0.5A max At 100VAC & 240VAC@full load
	Inrush Current	40/60A max At cold start, ambient temperature 25°C nominal AC input 100VAC/240VAC
	Power consumption	0.1W max. with output no load at 115VAC/230VAC input
	Efficiency	Meet ERP level VI
	Hold up time	8mS min At AC nomind input @ output full load
	Turn delay	5000mS max. At AC low line input @ output full load.
	Ripple noise	200mV
	Burn-in	220VAC 80% Load (Ref) 4hours & 40°C +/- 5
PROTECTION	Over current Short protection	Automatic recovery
	Over Voltage	The power supply shall be self-recovering when the fault condition is removed
	Input protection	The switching adaptor use 3.15A fuse
	Protection class	Class II
SAFETY	CE EMC	2014/30/EU
	CE LVD	2014/35/EU IEC 62368
	Safety approvals	ETL/cETLus TUV/GS FCC CE CB SAA PSE LVD UKCA
	Dielectric Strength (Hi-pot)	AC3000V,5.0mA,1 minute for type test
	Leakage current	0.25 mA max.
ENVIRONMENTAL	Temperature	Operating: 0~40°C / Storage: -25~50°C
	Humidity	Operating: 20%~80%RH / Storage:5%~95% RH
	Cooling	The power supply will operate with convection cooling. Blocking of vents must not cause damage to the power supply.
OTHER	MTBF	MTBF shall be least 50,000 hours at 25°C (MIL-HDBK-217F)
	Weight	95±3.5 g
	Dimension	86x45x31 mm
	Packing	100 pcs 1 box

Mechanical case specification:

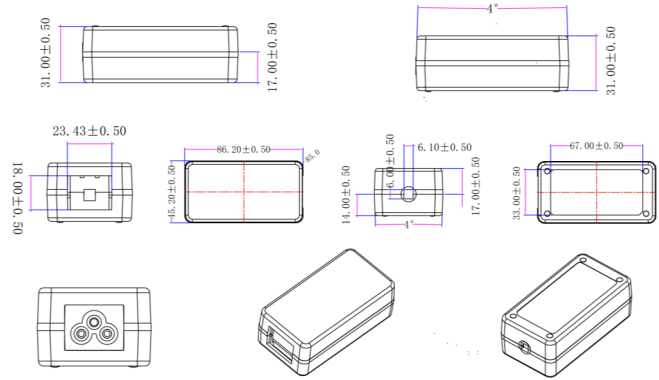


Cable specification:



Country of Origin : China
Efficiency level (ErP) : VI

GREEN MODE RoHS



Specifications

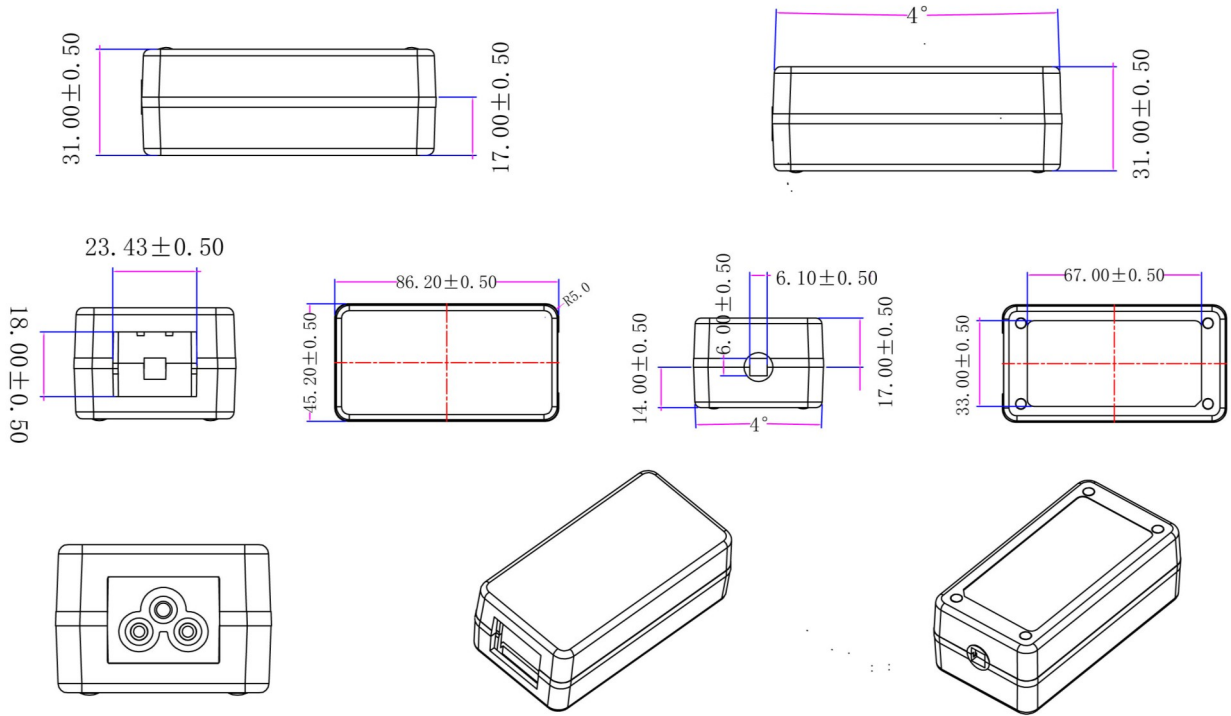
Model	Voltage DC [V]	Loading [A]	Max. Power [W]	Ripple / Noise [mV] p-p	Connector [mm]
SYS1181-1505-M3	5	0~3.0	15	200	2.1x5.5x11
SYS1181-1506-M3	6	0~2.5	15	200	2.1x5.5x11
SYS1181-1809-M3	9	0~2.0	18	200	2.1x5.5x11
SYS1181-1812-M3	12	0~1.5	18	200	2.1x5.5x11
SYS1181-1815-M3	15	0~1.2	18	200	2.1x5.5x11
SYS1181-1818-M3	18	0~1.0	18	200	2.1x5.5x11
SYS1181-1824-M3	24	0~0.75	18	200	2.1x5.5x11

Features:

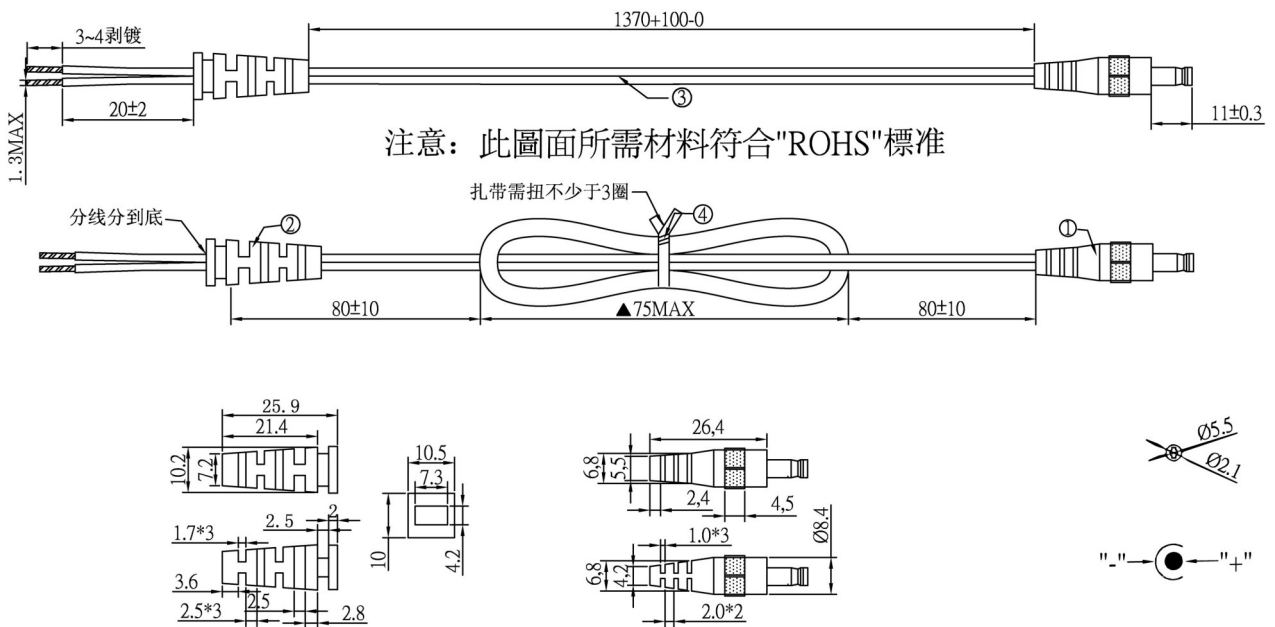
Output connector: standard: 2.1 x 5.5 x 11mm or customer requirement | Regulated Output With Low Ripple Noise | Safety Agency Requirements and EMV/EMS Certified
Private Label Marking Available | Modified and Custom Design Available | 2 Years Warranty

INPUT OUTPUT	Voltage	90-264VAC
	Current	0.5A max At 100VAC & 240VAC@full load
	Inrush Current	40/60A max At cold start, ambient temperature 25°C nominal AC input 100VAC/240VAC
	Power consumption	0.1W max. with output no load at 115VAC/230VAC input
	Efficiency	Meet ERP level VI
	Hold up time	8mS min At AC nomind input @ output full load
	Turn delay	5000mS max. At AC low line input @ output full load.
	Ripple noise	200mV
Burn-in	220VAC 80% Load (Ref) 4hours & 40°C +/- 5	
PROTECTION	Over current Short protection	Automatic recovery
	Over Voltage	The power supply shall be self-recovering when the fault condition is removed
	Input protection	The switching adaptor use 3.15A fuse
	Protection class	Class I
SAFETY	CE EMC	2014/30/EU
	CE LVD	2014/35/EU IEC 62368
	Safety approvals	ETL/cETLus TUV/GS FCC CE CB SAA PSE LVD UKCA
	Dielectric Strength (Hi-pot)	AC3000V,5.0mA,1 minute for type test
	Leakage current	0.25 mA max.
ENVIRONMENTAL	Temperature	Operating: 0~40°C / Storage: -25~50°C
	Humidity	Operating: 20%~80%RH / Storage:5%~95% RH
	Cooling	The power supply will operate with convection cooling. Blocking of vents must not cause damage to the power supply.
OTHER	MTBF	MTBF shall be least 50,000 hours at 25°C (MIL-HDBK-217F)
	Weight	95±3.5 g
	Dimension	86x45x31 mm
	Packing	100 pcs 1 box

Mechanical case specification:



Cable specification:



Country of Origin : China

Efficiency level (ErP) : VI

GREEN MODE

RoHS



Specifications

Model	Voltage DC [V]	Loading [A]	Max. Power [W]	Ripple / Noise [mV] p-p	Connector [mm]
SYS1544-1505-T2	5	0~3.0	15	180	2.1x5.5x11
SYS1544-1809-T2	9	0~2.0	18	180	2.1x5.5x11
SYS1544-2412-T2	12	0~2.0	24	180	2.1x5.5x11
SYS1544-2415-T2	15	0~1.6	24	200	2.1x5.5x11
SYS1544-2418-T2	18	0~1.33	24	240	2.1x5.5x11
SYS1544-2424-T2	24	0~1.0	24	300	2.1x5.5x11

Features:

Available in 2 inlet versions: C7(T2) & C13(T3)

Output connector: standard: 2.1 x 5.5 x 11mm or customer requirement | Regulated Output With Low Ripple Noise | Safety Agency Requirements and EMI/EMS Certified
Private Label Marking Available | Modified and Custom Design Available | 2 Years Warranty

INPUT OUTPUT	Voltage	90-264VAC
	Current	1A rms max At AC low line input and DC output full load
	Inrush Current	60A max At cold start, ambient temperature 25°C nominal AC input 115VAC/230VAC
	Power consumption	0.1W rms max At AC nominal input@output no load
	Efficiency	Meet ERP level VI
	Hold up time	5mS min At AC nominal input @ output full load
	Turn delay	7000mS max. 3S max on the condition that input voltage 230V, full load
	Ripple noise	200mV
Burn-in	2 Hour Full Load	
PROTECTION	Over current Short protection	Fold back Auto recovery when abnormal circuit faults remove.
	Over Voltage	Latch off
	Input protection	1A/250V Fuse The power supply shall be protected against power line surges and any abnormal condition
	Protection class	Class II
SAFETY	CE EMC	2014/30/EU
	CE LVD	2014/35/EU EN 60950
	Safety approvals	CB CE FCC cULus BSMI
	Dielectric Strength (Hi-pot)	IEC 320 2pin primary to secondary 3000Vdc 10mA 1min
	Leakage current	0.25 mA max.
ENVIRONMENTAL	Temperature	Operating: 0~40°C / Storage: -20~85°C
	Humidity	Operating: 8%~90%RH / Storage:5%~95% RH
	Cooling	Natural Convection Cooling
OTHER	MTBF	MTBF shall be least 50,000 hours at 25°C (MIL-HDBK-217F)
	Weight	0
	Dimension	87x47x33 mm
	Packing	60 pcs 1 box

Country of Origin : China

Efficiency level (ErP) : VI



GREEN MODE

RoHS



Specifications

Model	Voltage DC [V]	Loading [A]	Max. Power [W]	Ripple / Noise [mV] p-p	Connector [mm]
SYS1544-1505-T3	5	0~3.0	15	180	2.1x5.5x11
SYS1544-1809-T3	9	0~2.0	18	180	2.1x5.5x11
SYS1544-2412-T3	12	0~2.0	24	180	2.1x5.5x11
SYS1544-2415-T3	15	0~1.6	24	200	2.1x5.5x11
SYS1544-2418-T3	18	0~1.33	24	240	2.1x5.5x11
SYS1544-2424-T3	24	0~1.0	24	300	2.1x5.5x11

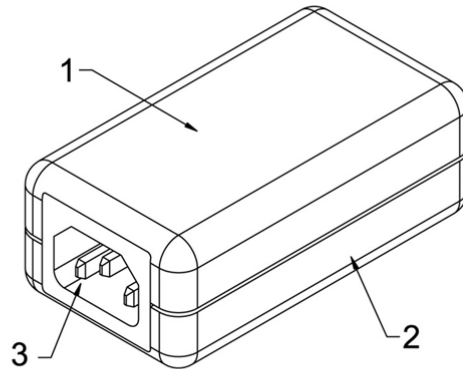
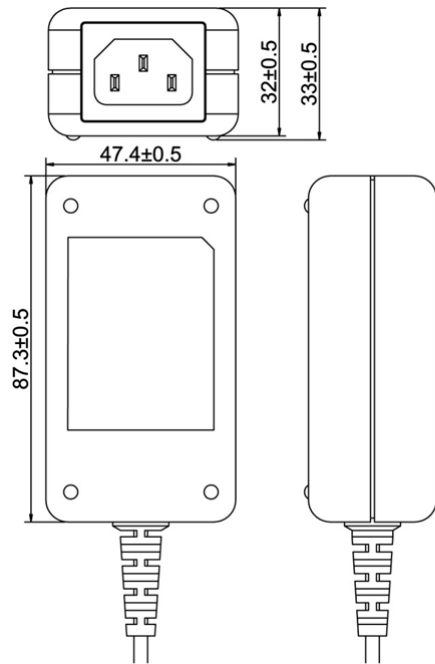
Features:

Available in 2 inlet versions: C7(T2) & C13(T3)

Output connector: standard: 2.1 x 5.5 x 11mm or customer requirement | Regulated Output With Low Ripple Noise | Safety Agency Requirements and EM/EMS Certified
Private Label Marking Available | Modified and Custom Design Available | 2 Years Warranty

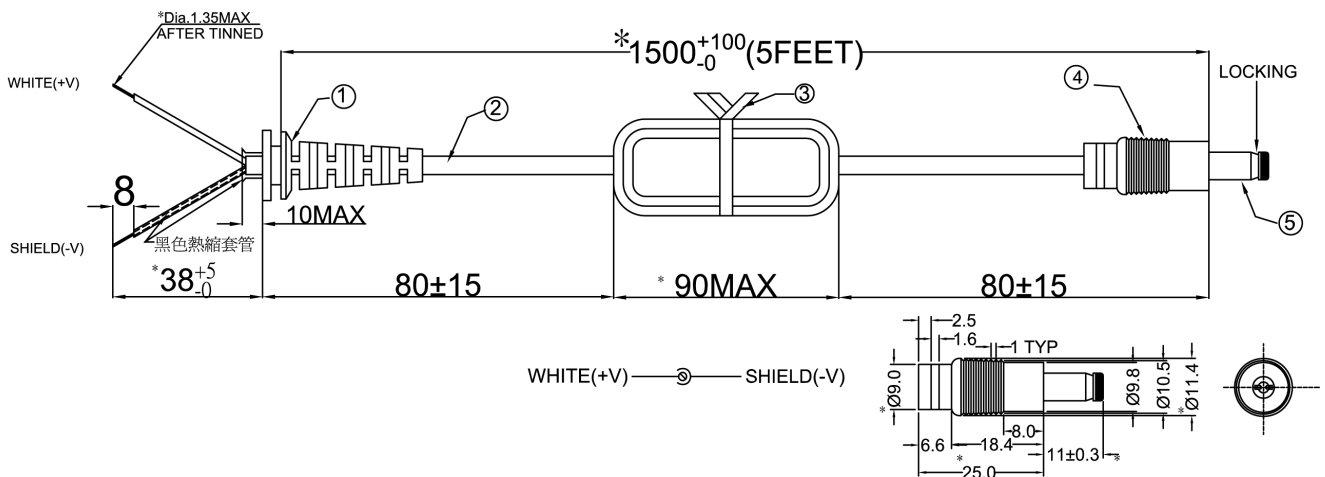
INPUT OUTPUT	Voltage	90-264VAC
	Current	1A rms max At AC low line input and DC output full load
	Inrush Current	60A max At cold start, ambient temperature 25°C nominal AC input 115VAC/230VAC
	Power consumption	0.1W rms max At AC nominal input@output no load
	Efficiency	Meet ERP level VI
	Hold up time	5mS min At AC nominal input @ output full load
	Turn delay	7000mS max. 3S max on the condition that input voltage 230V, full load
	Ripple noise	200mV
Burn-in	2 Hour Full Load	
PROTECTION	Over current Short protection	Fold back Auto recovery when abnormal circuit faults remove.
	Over Voltage	Latch off
	Input protection	1A/250V Fuse The power supply shall be protected against power line surges and any abnormal condition
	Protection class	Class I
SAFETY	CE EMC	2014/30/EU
	CE LVD	2014/35/EU EN 60950
	Safety approvals	CB CE GS FCC cULus CCC PSE KC(12V) RCM NOM(2412) UKCA EAC BIS(2412/1812/1512/1212) S-MARK BSMI
	Dielectric Strength (Hi-pot)	IEC 320 3pin primary to secondary (FG) 1500Vac 10mA 1min
	Leakage current	3.5 mA max.
ENVIRONMENTAL	Temperature	Operating: 0~40°C / Storage: -20~85°C
	Humidity	Operating: 8%~90%RH / Storage:5%~95% RH
	Cooling	Natural Convection Cooling
OTHER	MTBF	MTBF shall be least 50,000 hours at 25°C (MIL-HDBK-217F)
	Weight	0
	Dimension	87x47x33 mm
	Packing	60 pcs 1 box

Mechanical case specification:



- 3 socket
- 2 BOTTOM
- 1 TOP

Cable specification:



Country of Origin : China
Efficiency level (ErP) : VI



GREEN MODE

RoHS



Specifications

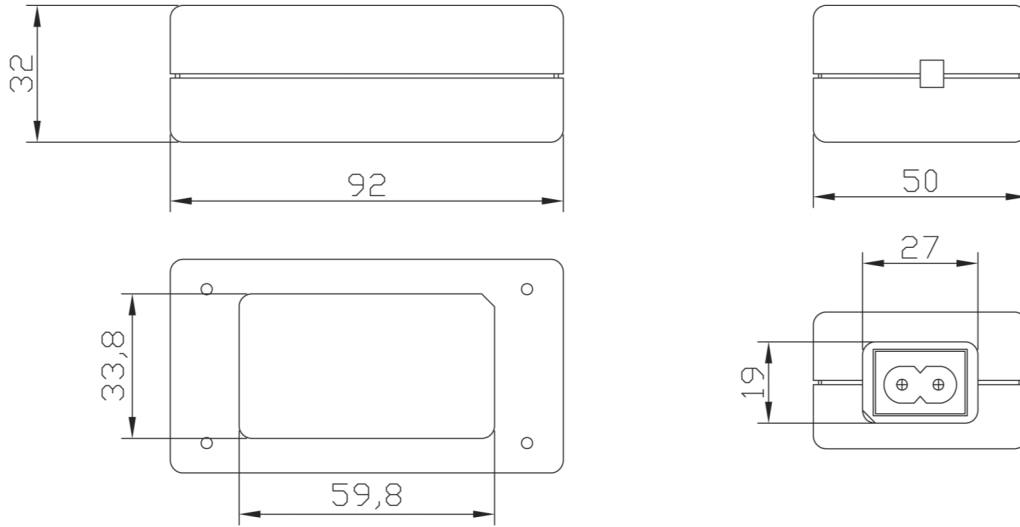
Model	Voltage DC [V]	Loading [A]	Max. Power [W]	Ripple / Noise [mV] p-p	Connector [mm]
SYS1588-2005-T2	5.1	0~4	20.4	120	2.1x5.5x11
SYS1588-2709-T2	9	0~3	27	120	2.1x5.5x11
SYS1588-3012-T2	12	0~2.5	30	200	2.1x5.5x11
SYS1588-3015-T2	15	0~2.0	30	200	2.1x5.5x11
SYS1588-3018-T2	18	0~1.66	30	240	2.1x5.5x11
SYS1588-3024-T2	24	0~1.25	30	240	2.1x5.5x11
SYS1588-3048-T2	48	0~0.63	30	400	2.1x5.5x11

Features:

Available in inlet version: C7 (T2)
Output connector: standard: 2.1 x 5.5 x 11mm or customer requirement | Regulated Output With Low Ripple Noise | Safety Agency Requirements and EMI/EMS Certified
Private Label Marking Available | Modified and Custom Design Available | 2 Years Warranty

INPUT OUTPUT	Voltage	90-264VAC
	Current	1.5A max At 100VAC & 240VAC@full load
	Inrush Current	40/60A max At cold start, ambient temperature 25°C nominal AC input 100VAC/240VAC
	Power consumption	0.1W max. with output no load at 115VAC/230VAC input
	Efficiency	Meet ERP level VI
	Hold up time	8mS min At AC nomind input @ output full load
	Turn delay	5000mS max. At AC low line input @ output full load.
	Ripple noise	200mV
	Burn-in	220VAC 80% Load (Ref) 4hours & 40°C +/- 5
PROTECTION	Over current Short protection	Automatic recovery
	Over Voltage	The power supply shall be self-recovering when the fault condition is removed
	Input protection	The switching adaptor use 2.0A fuse.
	Protection class	Class II
SAFETY	CE EMC	2014/30/EU
	CE LVD	2014/35/EU EN 62368
	Safety approvals	cTUVus FCC GS CE CB RCM PSE EAC LVD UKCA CCC
	Dielectric Strength (Hi-pot)	AC3000V,10.0mA,1 minute for type test
	Leakage current	5 mA max.
ENVIRONMENTAL	Temperature	Operating: 0~40°C / Storage: -20~50°C
	Humidity	Operating: 0%~90%RH / Storage:0%~90% RH
	Cooling	The power supply will operate with convection cooling. Blocking of vents must not cause damage to the power supply.
OTHER	MTBF	MTBF shall be least 50,000 hours at 25°C (MIL-HDBK-217F)
	Weight	158g
	Dimension	93x50x33 mm
	Packing	50 pcs 1 box

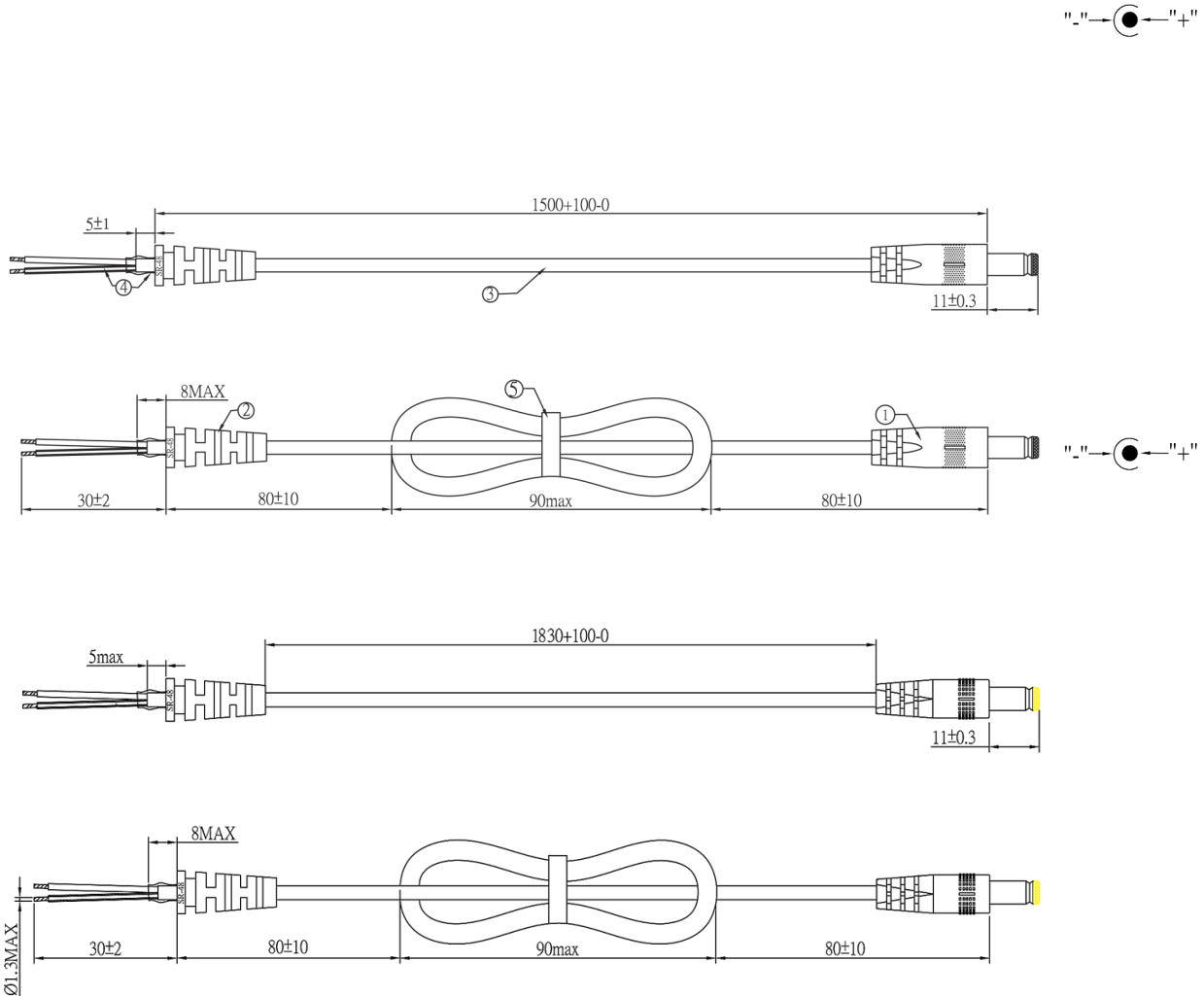
Mechanical case specification:



Cable specification:

1185# 20AWG / 6FT (1830mm) for 15V

1185# 20AWG / 4.5FT (1370mm) for 15V



Country of Origin : China
Efficiency level (ErP) : VI



GREEN MODE **RoHS**



Specifications

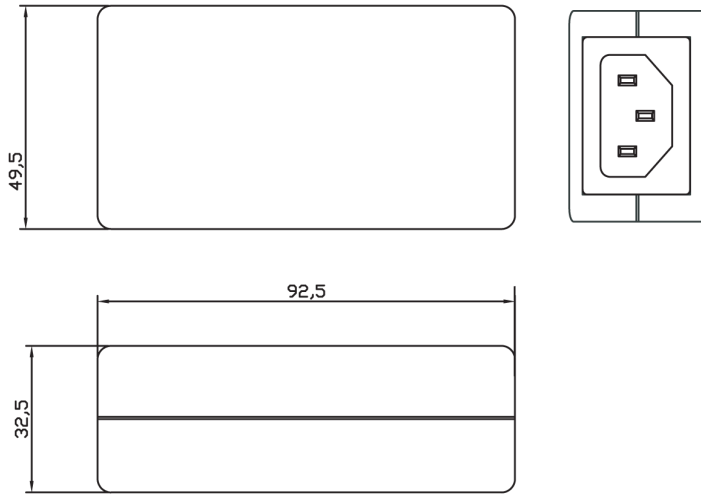
Model	Voltage DC [V]	Loading [A]	Max. Power [W]	Ripple / Noise [mV] p-p	Connector [mm]
SYS1588-2005-T3	5.1	0~4	20.4	120	2.1x5.5x11
SYS1588-2709-T3	9	0~3	27	120	2.1x5.5x11
SYS1588-3012-T3	12	0~2.5	30	200	2.1x5.5x11
SYS1588-3015-T3	15	0~2.0	30	200	2.1x5.5x11
SYS1588-3018-T3	18	0~1.66	30	240	2.1x5.5x11
SYS1588-3024-T3	24	0~1.25	30	240	2.1x5.5x11
SYS1588-3048-T3	48	0~0.63	30	400	2.1x5.5x11

Features:

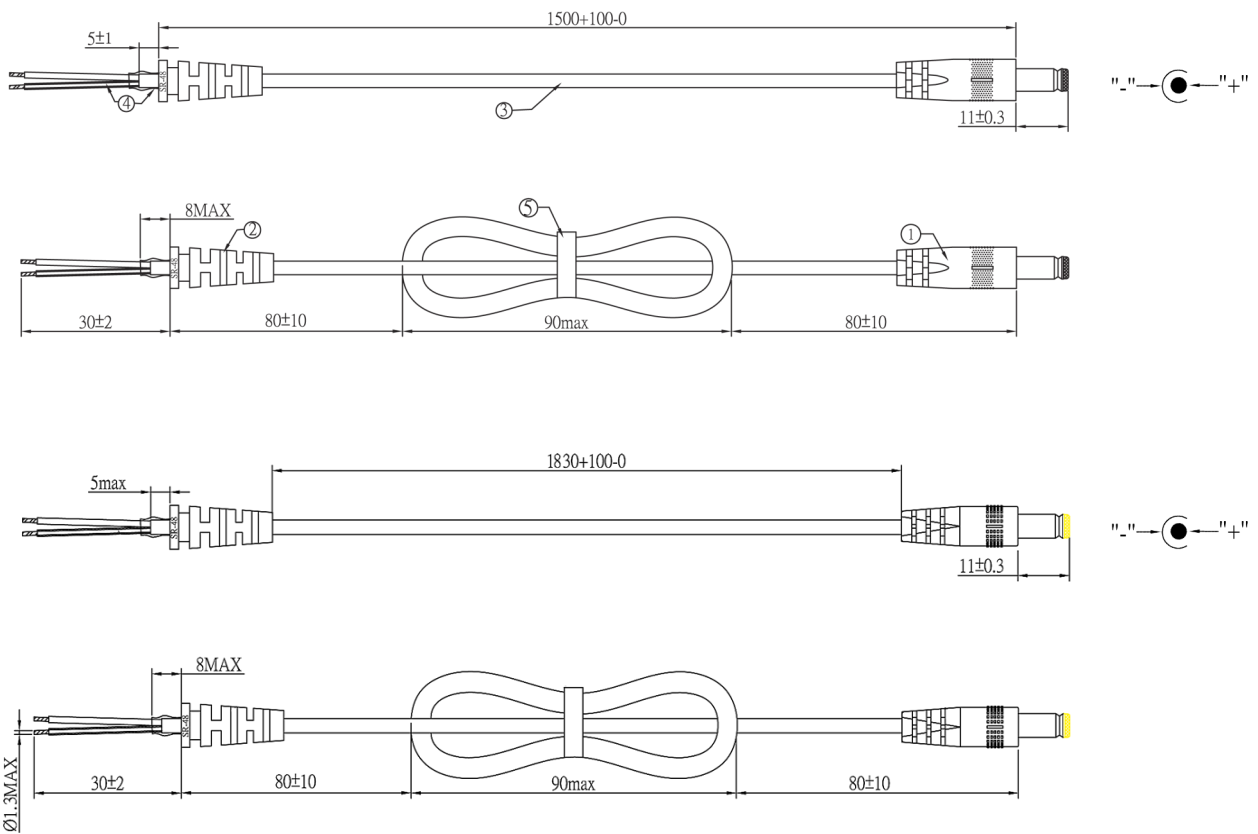
Available in inlet version: C13 (T3)
Output connector: standard: 2.1 x 5.5 x 11mm or customer requirement | Regulated Output With Low Ripple Noise | Safety Agency Requirements and EMI/EMS Certified
Private Label Marking Available | Modified and Custom Design Available | 2 Years Warranty

INPUT OUTPUT	Voltage	90-264VAC
	Current	1.5A max At 100VAC & 240VAC@full load
	Inrush Current	40/60A max At cold start, ambient temperature 25°C nominal AC input 100VAC/240VAC
	Power consumption	0.1W max. with output no load at 115VAC/230VAC input
	Efficiency	Meet ERP level VI
	Hold up time	8mS min At AC nomind input @ output full load
	Turn delay	5000mS max. At AC low line input @ output full load.
	Ripple noise	200mV
Burn-in	220VAC 80% Load (Ref) 4hours & 40°C +/- 5	
PROTECTION	Over current Short protection	Automatic recovery
	Over Voltage	The power supply shall be self-recovering when the fault condition is removed
	Input protection	The switching adaptor use 2.0A fuse.
	Protection class	Class I
SAFETY	CE EMC	2014/30/EU
	CE LVD	2014/35/EU EN 62368
	Safety approvals	cTUVus FCC GS CE CB RCM PSE EAC LVD UKCA CCC
	Dielectric Strength (Hi-pot)	AC3000V, 10.0mA, 1 minute for type test
	Leakage current	5 mA max.
ENVIRONMENTAL	Temperature	Operating: 0~40°C / Storage: -20~50°C
	Humidity	Operating: 0%~90%RH / Storage:0%~90% RH
	Cooling	The power supply will operate with convection cooling. Blocking of vents must not cause damage to the power supply.
OTHER	MTBF	MTBF shall be least 50,000 hours at 25°C (MIL-HDBK-217F)
	Weight	185g
	Dimension	93x50x33 mm
	Packing	50 pcs 1 box

Mechanical case specification:



Cable specification:



Country of Origin : China

Efficiency level (ErP) : VI

GREEN MODE

RoHS



Specifications

Model	Voltage DC [V]	Loading [A]	Max. Power [W]	Ripple / Noise [mV] p-p	Connector [mm]
SYS1546-3612-T2	12	0~3.0	36	180	2.1x5.5x11
SYS1546-3615-T2	15	0~2.40	36	200	2.1x5.5x11
SYS1546-3618-T2	18	0~2.0	36	240	2.1x5.5x11
SYS1546-3619-T2	19	0~1.89	36	240	2.1x5.5x11
SYS1546-3624-T2	24	0~1.5	36	300	2.1x5.5x11

Features:

Available in 2 inlet versions: C7(T2) & C13(T3)

Output connector: standard: 2.1 x 5.5 x 11mm or customer requirement | Regulated Output With Low Ripple Noise | Safety Agency Requirements and EMI/EMS Certified
Private Label Marking Available | Modified and Custom Design Available | 2 Years Warranty

INPUT OUTPUT	Voltage	90-264VAC
	Current	1.5A rms max At AC low line input and DC output full load
	Inrush Current	60A max At cold start, ambient temperature 25°C nominal AC input 115VAC/230VAC
	Power consumption	0.1W rms max At AC nominal input@output no load
	Efficiency	Meet ERP level VI
	Hold up time	10mS min At AC nominal input @ output full load
	Turn delay	7000 ms max At AC low line input@output full load
	Ripple noise	200mV
	Burn-in	2 Hour Full Load
PROTECTION	Over current Short protection	Fold back Auto recovery when abnormal circuit faults remove.
	Over Voltage	Latch off
	Input protection	2A Fuse The power supply shall be protected against power line surges and any abnormal condition
	Protection class	Class II
SAFETY	CE EMC	2014/30/EU
	CE LVD	2014/35/EU EN 62368
	Safety approvals	CB CE GS FCC cULus PSE RCM UKCA
	Dielectric Strength (Hi-pot)	IEC 320 2pin primary to secondary 3000Vdc 10mA 1min
	Leakage current	0.25 mA max.
ENVIRONMENTAL	Temperature	Operating: 0~40°C / Storage: -20~85°C
	Humidity	Operating: 8%~90%RH / Storage:5%~95% RH
	Cooling	Natural Convection Cooling
OTHER	MTBF	MTBF shall be least 50,000 hours at 25°C (MIL-HDBK-217F)
	Weight	170g
	Dimension	99x50x33 mm
	Packing	60 pcs 1 box

Country of Origin : China

Efficiency level (ErP) : VI



GREEN MODE

RoHS



Specifications

Model	Voltage DC [V]	Loading [A]	Max. Power [W]	Ripple / Noise [mV] p-p	Connector [mm]
SYS1546-3612-T3	12	0~3.00	36	180	2.1x5.5x11
SYS1546-3615-T3	15	0~2.40	36	200	2.1x5.5x11
SYS1546-3618-T3	18	0~2.0	36	240	2.1x5.5x11
SYS1546-3619-T3	19	0~1.89	36	240	2.1x5.5x11
SYS1546-3624-T3	24	0~1.5	36	300	2.1x5.5x11

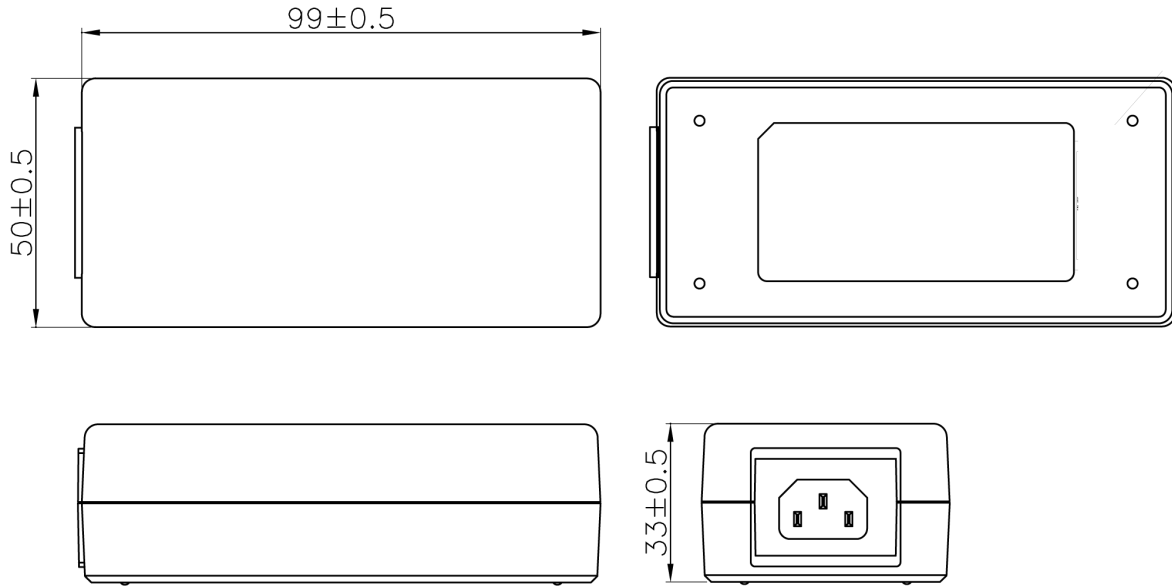
Features:

Available in 2 inlet versions: C7(T2) & C13(T3)

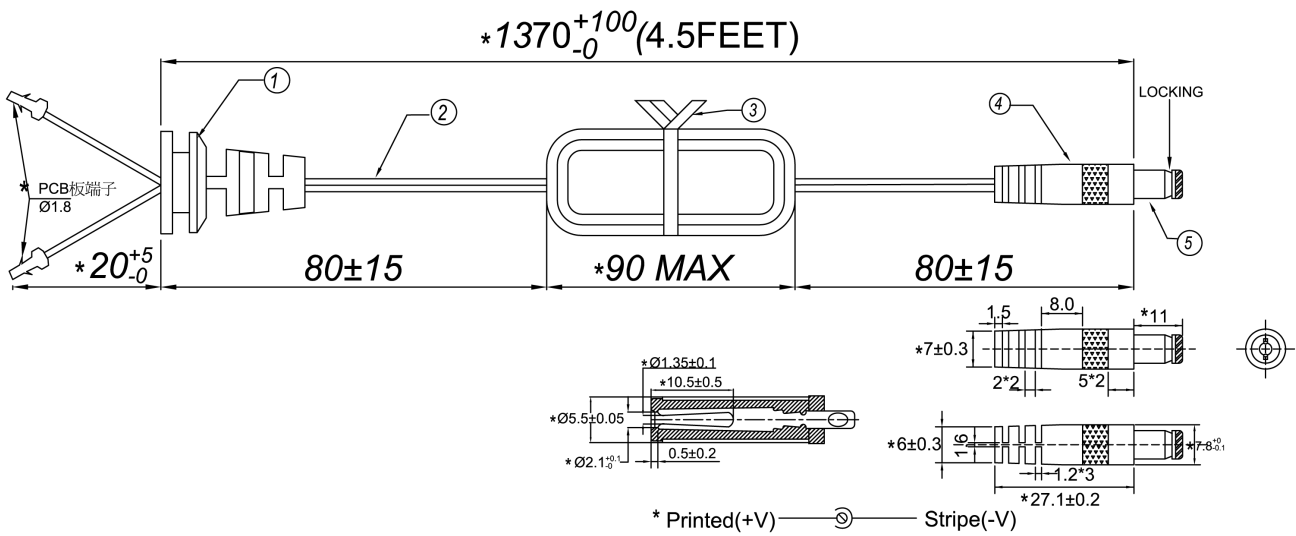
Output connector: standard: 2.1 x 5.5 x 11mm or customer requirement | Regulated Output With Low Ripple Noise | Safety Agency Requirements and EMI/EMS Certified
Private Label Marking Available | Modified and Custom Design Available | 2 Years Warranty

INPUT OUTPUT	Voltage	90-264VAC
	Current	1.5A rms max At AC low line input and DC output full load
	Inrush Current	60A max At cold start, ambient temperature 25°C nominal AC input 115VAC/230VAC
	Power consumption	0.1W rms max At AC nominal input@output no load
	Efficiency	Meet ERP level VI
	Hold up time	10mS min At AC nominal input @ output full load
	Turn delay	7000 ms max At AC low line input@output full load
	Ripple noise	300mV
	Burn-in	2 Hour Full Load
PROTECTION	Over current Short protection	Fold back Auto recovery when abnormal circuit faults remove.
	Over Voltage	Latch off
	Input protection	2A Fuse The power supply shall be protected against power line surges and any abnormal condition
	Protection class	Class I
SAFETY	CE EMC	2014/30/EU
	CE LVD	2014/35/EU EN 62368
	Safety approvals	CB CE GS FCC cULus CCC BSMI PSE KC(3612 only) RCM NOM (3612 only) UKCA BIS(3612/3615 only) S-MARK
	Dielectric Strength (Hi-pot)	IEC 320 3pin primary to secondary (FG) 1500Vac 10mA 1min
	Leakage current	3.5 mA max.
ENVIRONMENTAL	Temperature	Operating: 0~40°C / Storage: -20~85°C
	Humidity	Operating: 8%~90%RH / Storage:5%~95% RH
	Cooling	Natural Convection Cooling
OTHER	MTBF	MTBF shall be least 50,000 hours at 25°C (MIL-HDBK-217F)
	Weight	170g
	Dimension	99x50x33 mm
	Packing	60 pcs 1 box

Mechanical case specification:



Cable specification:



Country of Origin : China
Efficiency level (ErP) : VI



GREEN MODE

RoHS



Specifications

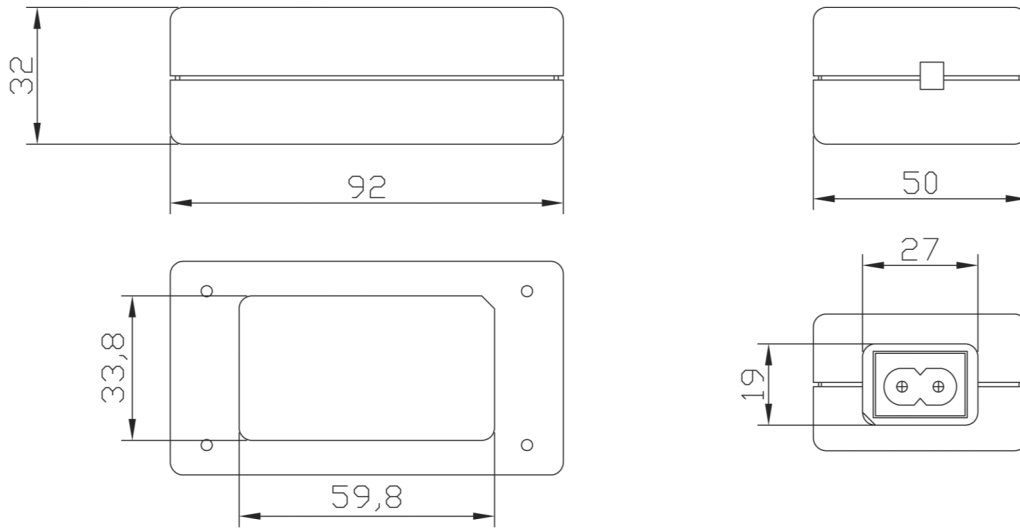
Model	Voltage DC [V]	Loading [A]	Max. Power [W]	Ripple / Noise [mV] p-p	Connector [mm]
SYS1588-3005-T2	5	0~6	30	120	2.1x5.5x11
SYS1588-3609-T2	9	0~4	36	120	2.1x5.5x11
SYS1588-4012-T2	12	0~3.3	40	200	2.1x5.5x11
SYS1588-4015-T2	15	0~2.6	40	200	2.1x5.5x11
SYS1588-4018-T2	18	0~2.2	40	240	2.1x5.5x11
SYS1588-4024-T2	24	0~1.6	40	240	2.1x5.5x11
SYS1588-4048-T2	48	0~0.8	40	400	2.1x5.5x11

Features:

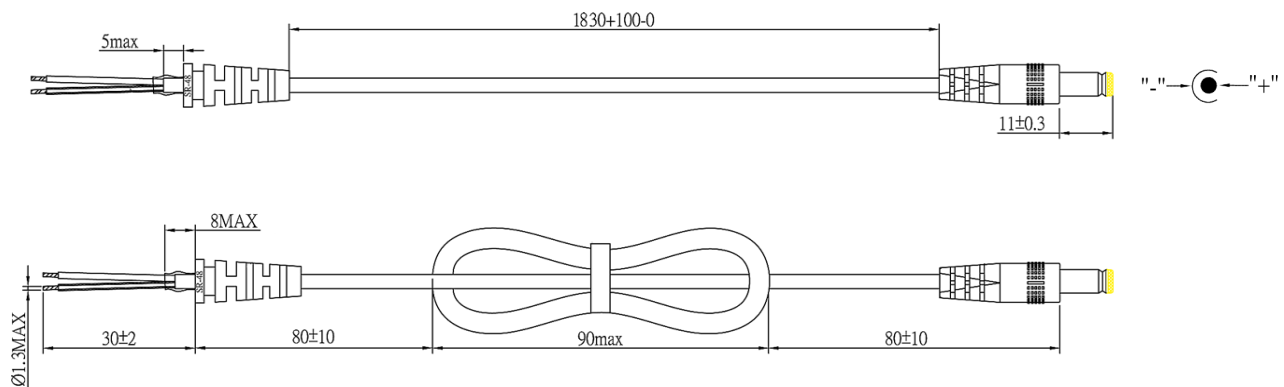
Available in inlet version: C7 (T2)
Output connector: standard: 2.1 x 5.5 x 11mm or customer requirement | Regulated Output With Low Ripple Noise | Safety Agency Requirements and EMI/EMS Certified
Private Label Marking Available | Modified and Custom Design Available | 2 Years Warranty

INPUT OUTPUT	Voltage	90-264VAC
	Current	1.5A max At 100VAC & 240VAC@full load
	Inrush Current	40/60A max At cold start, ambient temperature 25°C nominal AC input 100VAC/240VAC
	Power consumption	0.1W max. with output no load at 115VAC/230VAC input
	Efficiency	Meet ERP level VI
	Hold up time	8mS min At AC nominal input @ output full load
	Turn delay	5000mS max. At AC low line input @ output full load.
	Burn-in	Full load 2 Hours
PROTECTION	Over current Short protection	Automatic recovery
	Over Voltage	The power supply shall be self-recovering when the fault condition is removed
	Input protection	The switching adaptor use 2.0A fuse.
	Protection class	Class II
SAFETY	CE EMC	2014/30/EU
	CE LVD	2014/35/EU EN 62368
	Safety approvals	cTUVus FCC GS CE CB RCM PSE EAC UKCA CCC
	Dielectric Strength (Hi-pot)	AC3000V, 10.0mA, 1 minute for type test
	Leakage current	5 mA max.
ENVIRONMENTAL	Temperature	Operating: 0~40°C / Storage: -20~50°C
	Humidity	Operating: 0%~90%RH / Storage: 0%~90% RH
	Cooling	The power supply will operate with convection cooling. Blocking of vents must not cause damage to the power supply.
OTHER	MTBF	MTBF shall be least 50,000 hours at 25°C (MIL-HDBK-217F)
	Weight	187g
	Dimension	93x50x33 mm
	Packing	50 pcs 1 box

Mechanical case specification:



Cable specification:



Country of Origin : China
Efficiency level (ErP) : VI



GREEN MODE

RoHS



Specifications

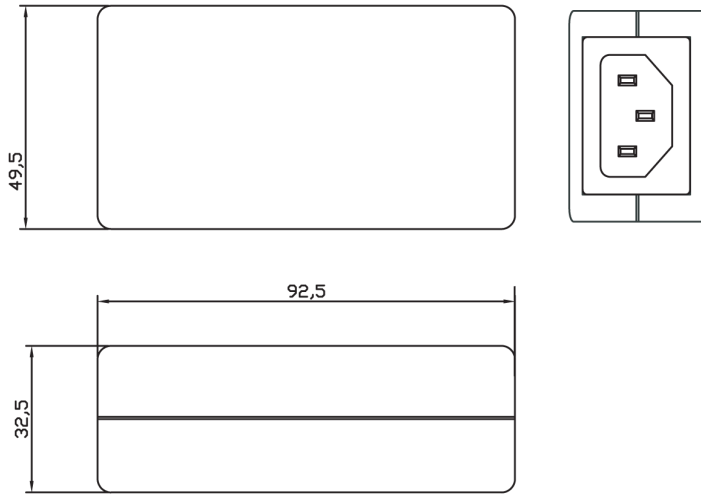
Model	Voltage DC [V]	Loading [A]	Max. Power [W]	Ripple / Noise [mV] p-p	Connector [mm]
SYS1588-3005-T3	5	0~6	30	120	2.1x5.5x11
SYS1588-3609-T3	9	0~4	36	120	2.1x5.5x11
SYS1588-4012-T3	12	0~3.3	40	200	2.1x5.5x11
SYS1588-4015-T3	15	0~2.6	40	200	2.1x5.5x11
SYS1588-4018-T3	18	0~2.2	40	240	2.1x5.5x11
SYS1588-4024-T3	24	0~1.6	40	240	2.1x5.5x11
SYS1588-4048-T3	48	0~0.8	40	400	2.1x5.5x11

Features:

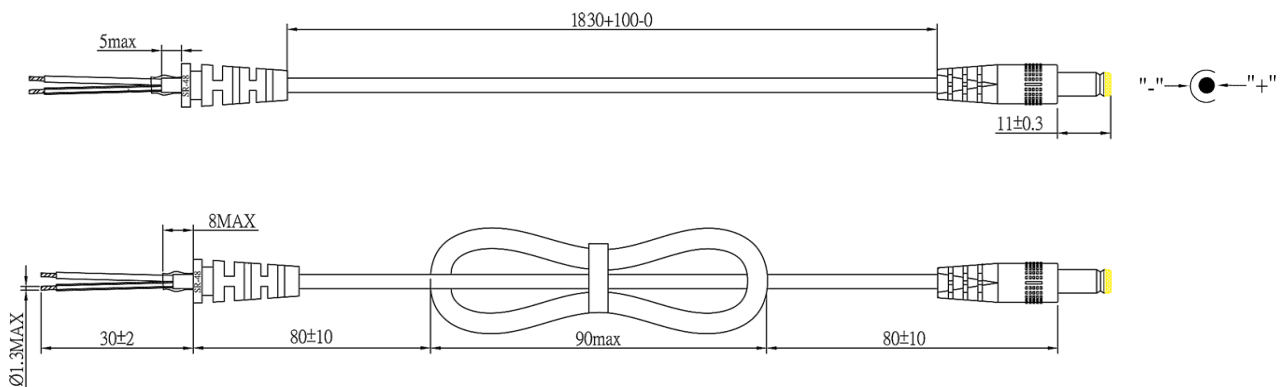
Available in inlet version: C13 (T3)
Output connector: standard: 2.1 x 5.5 x 11mm or customer requirement | Regulated Output With Low Ripple Noise | Safety Agency Requirements and EMI/EMS Certified
Private Label Marking Available | Modified and Custom Design Available | 2 Years Warranty

INPUT OUTPUT	Voltage	90-264VAC
	Current	1.5A max At 100VAC & 240VAC@full load
	Inrush Current	40/60A max At cold start, ambient temperature 25°C nominal AC input 100VAC/240VAC
	Power consumption	0.1W max. with output no load at 115VAC/230VAC input
	Efficiency	Meet ERP level VI
	Hold up time	8mS min At AC nominal input @ output full load
	Turn delay	5000mS max. At AC low line input @ output full load.
	Burn-in	Full load 2 Hours
PROTECTION	Over current Short protection	Automatic recovery
	Over Voltage	The power supply shall be self-recovering when the fault condition is removed
	Input protection	The switching adaptor use 2.0A fuse.
	Protection class	Class I
SAFETY	CE EMC	2014/30/EU
	CE LVD	2014/35/EU EN 62368
	Safety approvals	cTUVus FCC GS CE CB RCM PSE EAC UKCA CCC
	Dielectric Strength (Hi-pot)	AC3000V, 10.0mA, 1 minute for type test
	Leakage current	5 mA max.
ENVIRONMENTAL	Temperature	Operating: 0~40°C / Storage: -20~50°C
	Humidity	Operating: 0%~90%RH / Storage: 0%~90% RH
	Cooling	The power supply will operate with convection cooling. Blocking of vents must not cause damage to the power supply.
OTHER	MTBF	MTBF shall be least 50,000 hours at 25°C (MIL-HDBK-217F)
	Weight	193g
	Dimension	93x50x33 mm
	Packing	50 pcs 1 box

Mechanical case specification:



Cable specification:



Country of Origin : China

Efficiency level (ErP) : VI



GREEN MODE

RoHS



Specifications

Model	Voltage DC [V]	Loading [A]	Max. Power [W]	Ripple / Noise [mV] p-p	Connector [mm]
SYS1548-5012-T2	12	0~4.17	50	200	2.1x5.5x11
SYS1548-5024-T2	24	0~2.08	50	240	2.1x5.5x11
SYS1548-6512-T2	12	0~5.42	65	180	2.1x5.5x11
SYS1548-6512-T2	12	0~5.42	65	180	2.5x5.5x11
SYS1548-6515-T2	15	0~4.33	65	200	2.1x5.5x11
SYS1548-6518-T2	18	0~3.61	65	240	2.1x5.5x11
SYS1548-6519-T2	19	0~3.42	65	240	2.1x5.5x11
SYS1548-6524-T2	24	0~2.71	65	300	2.1x5.5x11
SYS1548-6536-T2	36	0~1.80	65	360	2.1x5.5x11

Features:

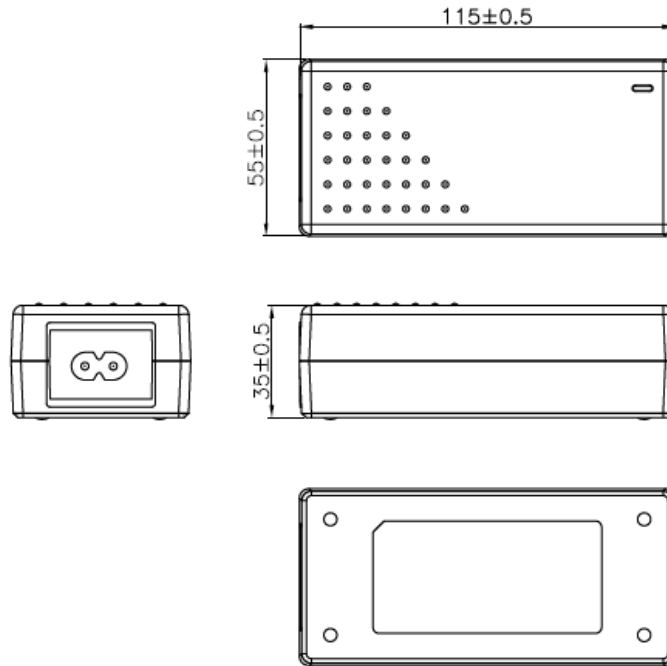
Available in 2 inlet versions: C7(T2) & C13(T3)

Output connector: standard: 2.1 x 5.5 x 11mm or customer requirement | Regulated Output With Low Ripple Noise | Safety Agency Requirements and EMV/EMS Certified

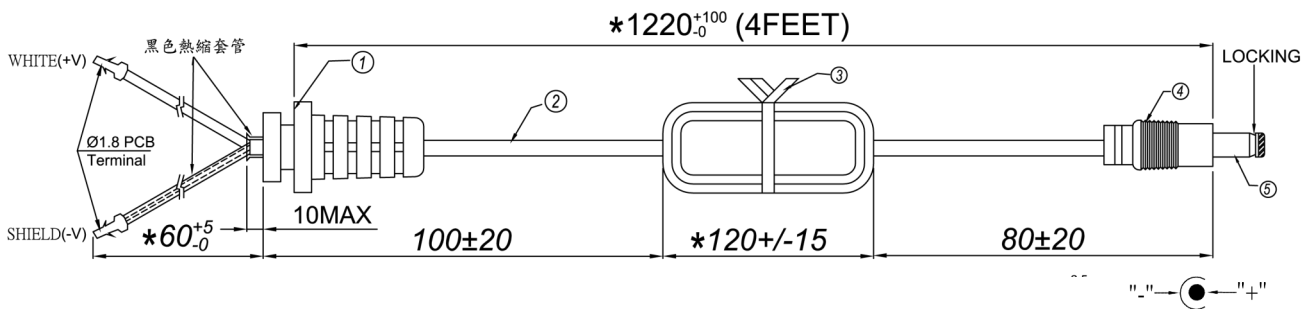
Private Label Marking Available | Modified and Custom Design Available | 2 Years Warranty

INPUT OUTPUT	Voltage	90-264VAC
	Current	1.5A rms max At AC low line input and DC output full load
	Inrush Current	40/60A max At cold start, ambient temperature 25°C nominal AC input 115VAC/240VAC
	Power consumption	0.21W max. with output no load at 115VAC/230VAC input
	Efficiency	Meet ERP level VI
	Hold up time	10mS min At AC nomind input @ output full load
	Turn delay	7000 ms max At AC low line input@output full load
	Ripple noise	300mV
	Burn-in	2 Hour Full Load
PROTECTION	Over current Short protection	Fold back Auto recovery when abnormal circuit faults remove.
	Over Voltage	Latch off
	Input protection	3.15A/250V Fuse The power supply shall be protected against power line surges and any abnormal condition
	Protection class	Class II
SAFETY	CE EMC	2014/30/EU
	CE LVD	2014/35/EU EN 62368
	Safety approvals	CB CE GS FCC cULus RCM UKCA
	Dielectric Strength (Hi-pot)	IEC 320 2pin primary to secondary 3000Vdc 10mA 1min
	Leakage current	0.25 mA max.
ENVIRONMENTAL	Temperature	Operating: 0~40°C / Storage: -20~85°C
	Humidity	Operating: 8%~90%RH / Storage:5%~95% RH
	Cooling	Natural Convection Cooling
OTHER	MTBF	MTBF shall be least 50,000 hours at 25°C (MIL-HDBK-217F)
	Weight	290g
	Dimension	115x55x35 mm
	Packing	60 pcs 1 box

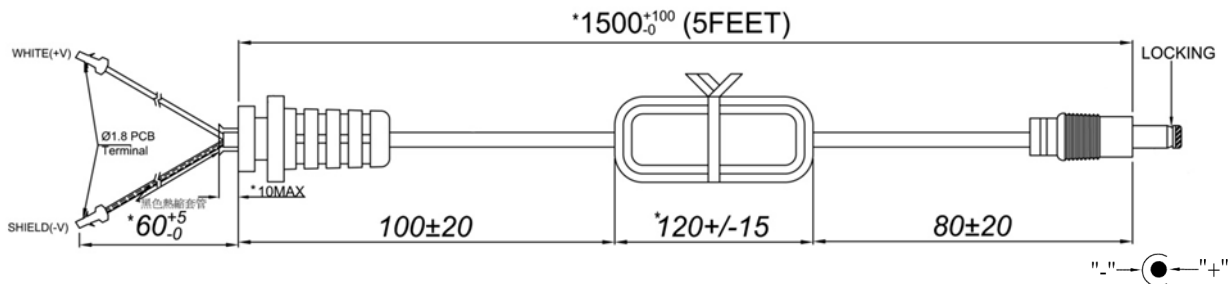
Mechanical case specification:



Cable specification:



FIX cable type (1185#16 for 12V model, 1185#20 for 24V model)



Country of Origin : China

Efficiency level (ErP) : VI



GREEN MODE

RoHS



Specifications

Model	Voltage DC [V]	Loading [A]	Max. Power [W]	Ripple / Noise [mV] p-p	Connector [mm]
SYS1548-5012-T3	12	0~4.17	50	200	2.1x5.5x11
SYS1548-5024-T3	24	0~2.08	50	240	2.1x5.5x11
SYS1548-6512-T3	12	0~5.42	65	180	2.1x5.5x11
SYS1548-6512-T3	12	0~5.42	65	180	2.5x5.5x11
SYS1548-6515-T3	15	0~4.33	65	200	2.1x5.5x11
SYS1548-6518-T3	18	0~3.61	65	240	2.1x5.5x11
SYS1548-6519-T3	19	0~3.42	65	240	2.1x5.5x11
SYS1548-6524-T3	24	0~2.71	65	300	2.1x5.5x11
SYS1548-6536-T3	36	0~1.80	65	360	2.1x5.5x11

Features:

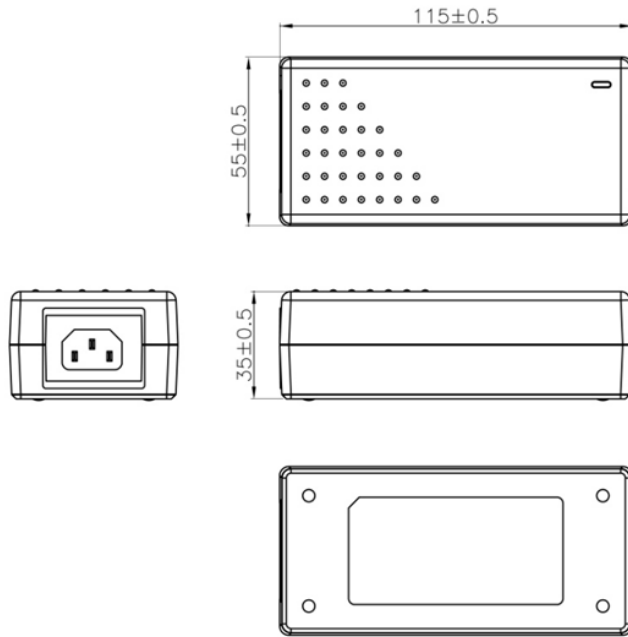
Available in 2 inlet versions: C7(T2) & C13(T3)

Output connector: standard: 2.1 x 5.5 x 11mm or customer requirement | Regulated Output With Low Ripple Noise | Safety Agency Requirements and EMI/EMS Certified

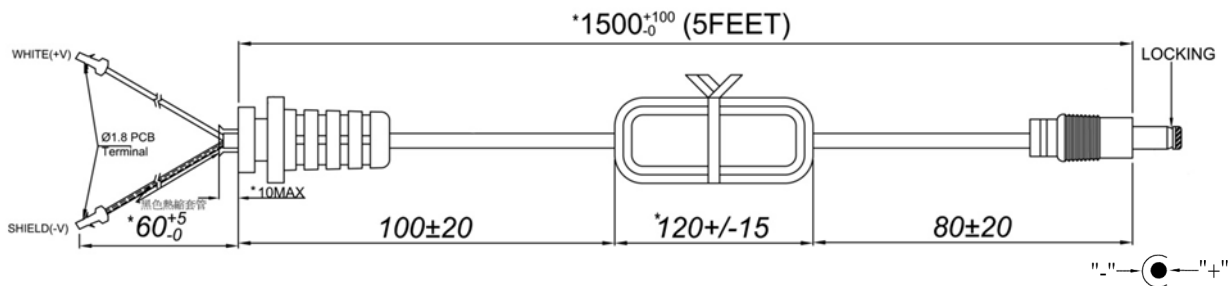
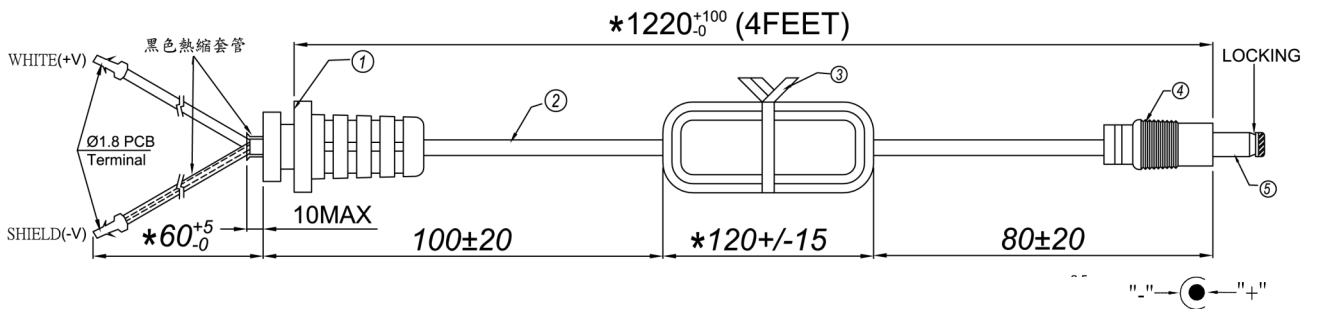
Private Label Marking Available | Modified and Custom Design Available | 2 Years Warranty

INPUT OUTPUT	Voltage	90-264VAC
	Current	1.5A rms max At AC low line input and DC output full load
	Inrush Current	40/60A max At cold start, ambient temperature 25°C nominal AC input 115VAC/240VAC
	Power consumption	0.21W max. with output no load at 115VAC/230VAC input
	Efficiency	Meet ERP level VI
	Hold up time	10mS min At AC nomind input @ output full load
	Turn delay	3000mS max. 3S max on the condition that input volotage 230V, full load.
	Ripple noise	300mV
	Burn-in	2 Hour Full Load
PROTECTION	Over current Short protection	Fold back Auto recovery when abnormal circuit faults remove.
	Over Voltage	Latch off
	Input protection	3.15A/250V Fuse The power supply shall be protected against power line surges and any abnormal condition
	Protection class	Class I
SAFETY	CE EMC	2014/30/EU
	CE LVD	2014/35/EU EN 62368
	Safety approvals	CB CE GS FCC cULus CCC BSMI PSE KC(12V) RCM NOM (5012,6012) UKCA EAC(5012) BIS(6512,6012,5012) S-MARK STCOA
	Dielectric Strength (Hi-pot)	IEC 320 3pin primary to secondary (FG) 1500Vac 10mA 1min
	Leakage current	3.5 mA max.
ENVIRONMENTAL	Temperature	Operating: 0~40°C / Storage: -20~85°C
	Humidity	Operating: 8%~90%RH / Storage:5%~95% RH
	Cooling	Natural Convection Cooling
OTHER	MTBF	MTBF shall be least 50,000 hours at 25°C (MIL-HDBK-217F)
	Weight	290g
	Dimension	115x55x35 mm
	Packing	60 pcs 1 box

Mechanical case specification:



Cable specification:



Country of Origin : China

Efficiency level (ErP) : VI



GREEN MODE

RoHS



Specifications

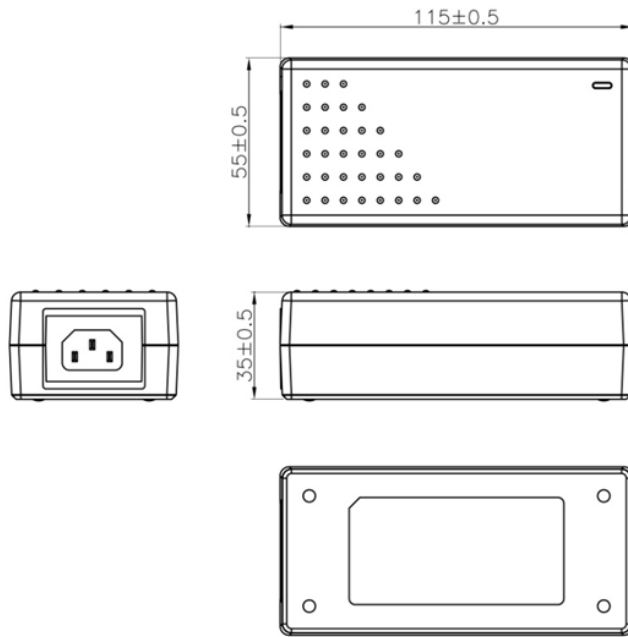
Model	Voltage DC [V]	Loading [A]	Max. Power [W]	Ripple / Noise [mV] p-p	Connector [mm]
SYS1649-6548-T3	48	0~1.35	65	480	2.1x5.5x11

Features:

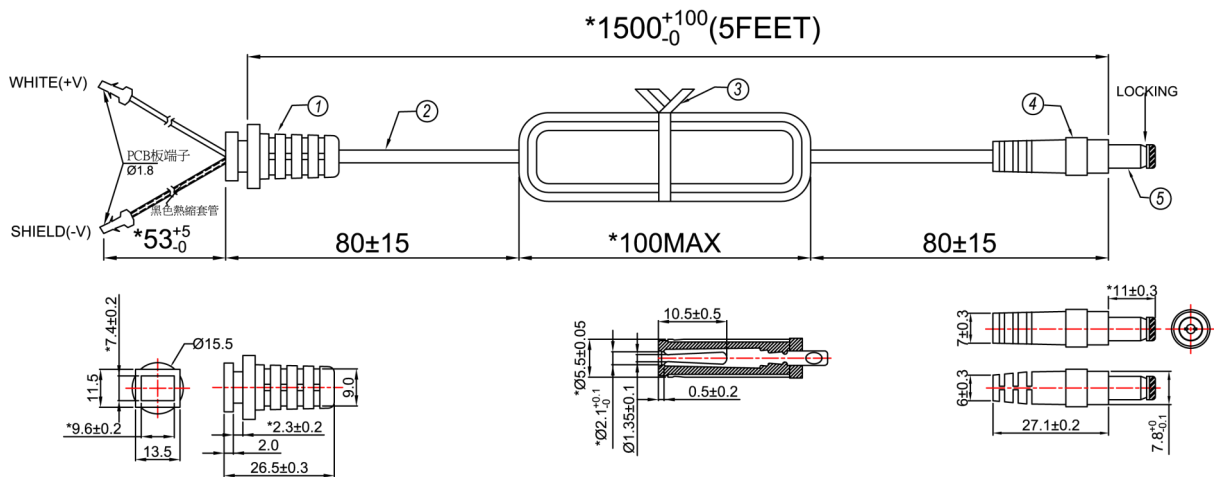
Output connector: standard: 2.1 x 5.5 x 11mm or customer requirement | Regulated Output With Low Ripple Noise | Safety Agency Requirements and EMI/EMS Certified
Private Label Marking Available | Modified and Custom Design Available | 2 Years Warranty

INPUT OUTPUT	Voltage	90-264VAC
	Current	1.5A max At 100VAC & 240VAC@full load
	Inrush Current	60A max At cold start, ambient temperature 25°C nominal AC input 115VAC/230VAC
	Power consumption	0.21W max. with output no load at 115VAC/230VAC input
	Efficiency	Meet ERP level VI
	Hold up time	5mS min At AC nomind input @ output full load
	Turn delay	3000mS max. 3S max on the condition that input volotage 230V, full load
	Ripple noise	480mV
	Burn-in	2 Hour Full Load
PROTECTION	Over current Short protection	Fold back
	Over Voltage	Auto recovery
	Input protection	3.15A/250V Fuse The power supply shall be protected against power line surges and any abnormal condition
	Protection class	Class I
SAFETY	CE EMC	2014/30/EU
	CE LVD	2014/35/EU EN 62368
	Safety approvals	CB CE FCC UL CCC BSMI RCM UKCA
	Dielectric Strength (Hi-pot)	IEC 320 2pin primary to secondary 4000Vdc 10mA 1min
	Leakage current	3.5 mA max
ENVIRONMENTAL	Temperature	Operating: 0~40°C / Storage: -20~85°C
	Humidity	Operating: 8%~90%RH / Storage: 5%~95% RH non condensing
	Cooling	Natural Convection Cooling
OTHER	MTBF	MTBF shall be least 50,000 hours at 25°C (MIL-HDBK-217F)
	Weight	0
	Dimension	115x55x35 mm
	Packing	60 pcs 1 box

Mechanical case specification:



Cable specification:



Country of Origin : China

Efficiency level (ErP) : VI



GREEN MODE **RoHS**



Specifications

Model	Voltage DC [V]	Loading [A]	Max. Power [W]	Ripple / Noise [mV] p-p	Connector [mm]
SYS1575-9012-M3	12	0~7.5	90	200	2.1x5.5x11
SYS1575-9015-M3	15	0~6.0	90	200	2.1x5.5x11
SYS1575-9018-M3	18	0~5.0	90	200	2.1x5.5x11
SYS1575-9019-M3	19	0~4.73	90	200	2.1x5.5x11
SYS1575-9020-M3	20	0~4.5	90	200	2.1x5.5x11
SYS1575-9024-M3	24	0~3.75	90	240	2.1x5.5x11
SYS1575-9036-M3	36	0~2.5	90	360	2.1x5.5x11
SYS1575-9048-M3	48	0~1.87	90	480	2.1x5.5x11
SYS1575-9054-M3	54	0~1.6	90	540	2.1x5.5x11

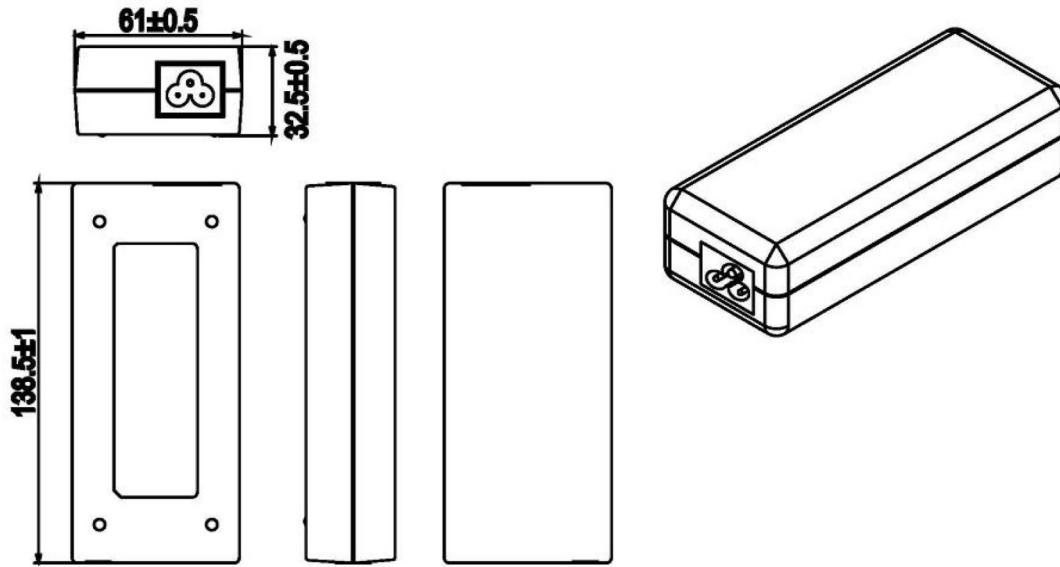
Features:

Available in inlet version: C5 (M3)

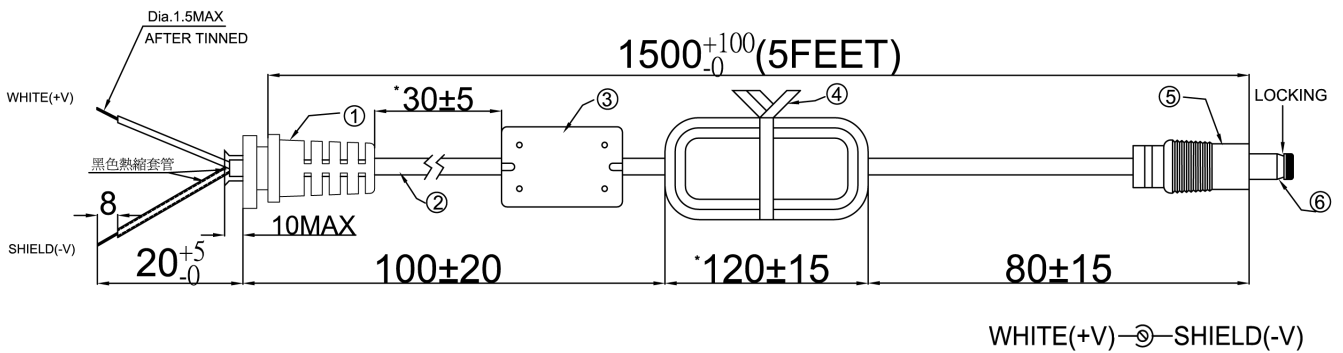
Output connector: standard: 2.1 x 5.5 x 11mm or customer requirement | Regulated Output With Low Ripple Noise | Safety Agency Requirements and EMI/EMS Certified
Private Label Marking Available | Modified and Custom Design Available | 2 Years Warranty

INPUT OUTPUT	Voltage	100-240VAC
	Current	2.0A rms max At AC low line input and DC output full load
	Inrush Current	100A max At 115V or 230Vac nominal AC input
	Power consumption	0.21W max. with output no load at 115VAC/230VAC input
	Efficiency	Meet ERP level VI
	Hold up time	10mS min At AC nomind input @ output full load
	Turn delay	7000 ms max At AC low line input@output full load
	Ripple noise	200mV
	Burn-in	2 Hour Full Load
PROTECTION	Over current Short protection	Fold back Auto recovery when abnormal circuit faults remove.
	Over Voltage	Voltage limit
	Input protection	4A Fuse The power supply shall be protected against power line surges and any abnormal condition
	Protection class	Class I
SAFETY	CE EMC	2014/30/EU
	CE LVD	2014/35/EU EN 62368
	Safety approvals	CB CE FCC cULus UKCA
	Dielectric Strength (Hi-pot)	IEC 320 3pin primary to secondary (FG) 1500Vac 10mA 1min
	Leakage current	3.5 mA max.
ENVIRONMENTAL	Temperature	Operating: 0~40°C / Storage: -20~85°C
	Humidity	Operating: 8%~90%RH / Storage:5%~95% RH
	Cooling	Natural Convection Cooling
OTHER	MTBF	MTBF shall be least 50,000 hours at 25°C (MIL-HDBK-217F)
	Weight	430g
	Dimension	138x61x33 mm
	Packing	30 pcs 1 box

Mechanical case specification:



Cable specification:



Country of Origin : China

Efficiency level (ErP) : VI



GREEN MODE **RoHS**



Specifications

Model	Voltage DC [V]	Loading [A]	Max. Power [W]
STD 12090-T3	12	0~9.0	108
STD 15080-T3	15	0~8.0	120
STD 16075-T3	16	0~7.5	120
STD 18066-T3	18	0~6.6	120
STD 19063-T3	19	0~6.3	120
STD 20060-T3	20	0~6.0	120
STD 24050-T3	24	0~5.0	120
STD 30040-T3	30	0~4.0	120
STD 48025-T3	48	0~2.5	120
STD 56021-T3	56	0~2.15	120

Features:

Compliant to DoE 2016 (Level VI) | ErP Stage 2, NRCan & GEMS Level VI | No Load Power Consumption < 0.1 W | Regulated Output with Low Ripple Noise | 1 Year Warranty

INPUT

Voltage	AC 100 V – 240 V
Frequency	50 Hz - 60 Hz
Current	1.6 A max.
Protection	Internal Primary Current Fuse, Inrush Limiting

OUTPUT

Load Regulation	± 5 % (typical)
Ripple	1 % – 2 % V p-p max. for output voltage at full load
Transient Response	0.5 ms for 50 % load change typical
Leakage Current	0.25 mA max.
Protection	Short circuit Protection • Over Voltage Protection • Over Current Protection

OTHERS

Cooling	Convection
Efficiency	DoE Level VI • Energy Star • ErP Stage 2 • NRCan & GEMS Level VI Certified
Holdup Time	10 ms at full load
Dielectric Withstand	AC 3000 V Primary – Secondary
MTBF	300,000 calculated hours at 25 °C by telcordia SR-332

ENVIRONMENT

Temperature	Operating: 0 °C – 40 °C / Storage: -20 °C – 80 °C
Humidity	Operating: 20 % RH – 80 % RH / Storage: 10 % RH – 90 % RH

Safety	IEC / EN / UL 62368 • CE • RCM • PSE • BSM • UKCA
Case Dimensions	168×66×39 mm
Weight	590 g

8.Mechanical :

8.1 Weight : 630g Typical

8.2 Cable Type : Black UL1185 18AWG

(Wire + Plug)

Plug : $\varnothing 5.5 * \varnothing 2.1 * 11\text{mm}$

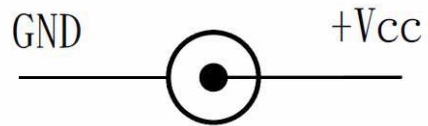
(Tuning Fork & Cannelure)

8.3 Cable Length : 1500mm

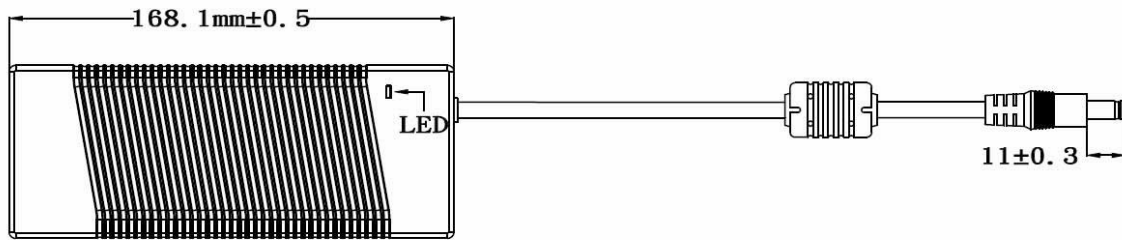
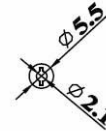
8.4 Case Dimension : 168.1mm(L)*65.9mm(W)*39mm(H)

8.5 Material Flammability : UL 94V-0

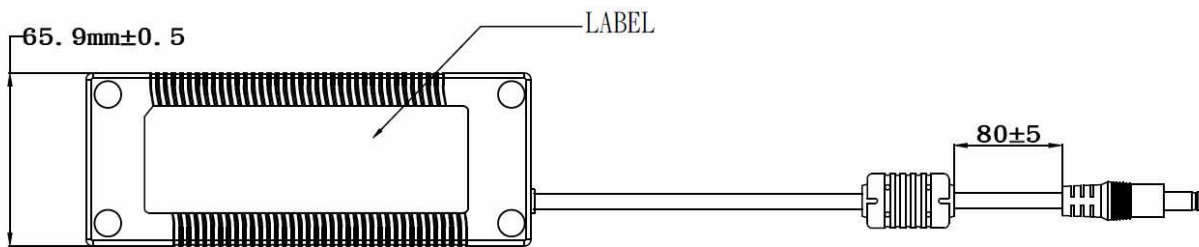
8.6 External Apperance : As drawing below (Scale \rightarrow mm)



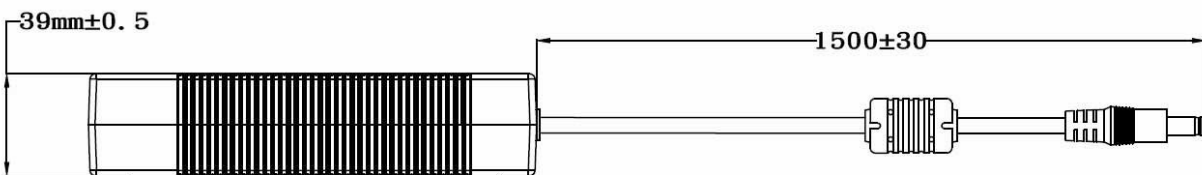
Output Cable Plug Pin Assignment



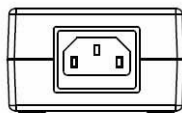
TOP-VIEW



BOTTOM-VIEW



SIDE-VIEW



FRONT-VIEW

Country of Origin : China

Efficiency level (ErP) : VI



GREEN MODE **RoHS**



Specifications

Model	Voltage DC [V]	Loading [A]	Max. Power [W]	Ripple / Noise [mV] p-p	Connector [mm]
SYS1576-12012-M3	12	0~10.0	120	200	2.1x5.5x11
SYS1576-12015-M3	15	0~8.0	120	200	2.1x5.5x11
SYS1576-12018-M3	18	0~6.66	120	200	2.1x5.5x11
SYS1576-12019-M3	19	0~6.31	120	200	2.1x5.5x11
SYS1576-12020-M3	20	0~6.0	120	200	2.1x5.5x11
SYS1576-12024-M3	24	0~5.0	120	240	2.1x5.5x11
SYS1576-13036-M3	36	0~3.6	130	360	2.1x5.5x11
SYS1576-13048-M3	48	0~2.7	130	480	2.1x5.5x11
SYS1576-13054-M3	54	0~2.4	130	540	2.1x5.5x11

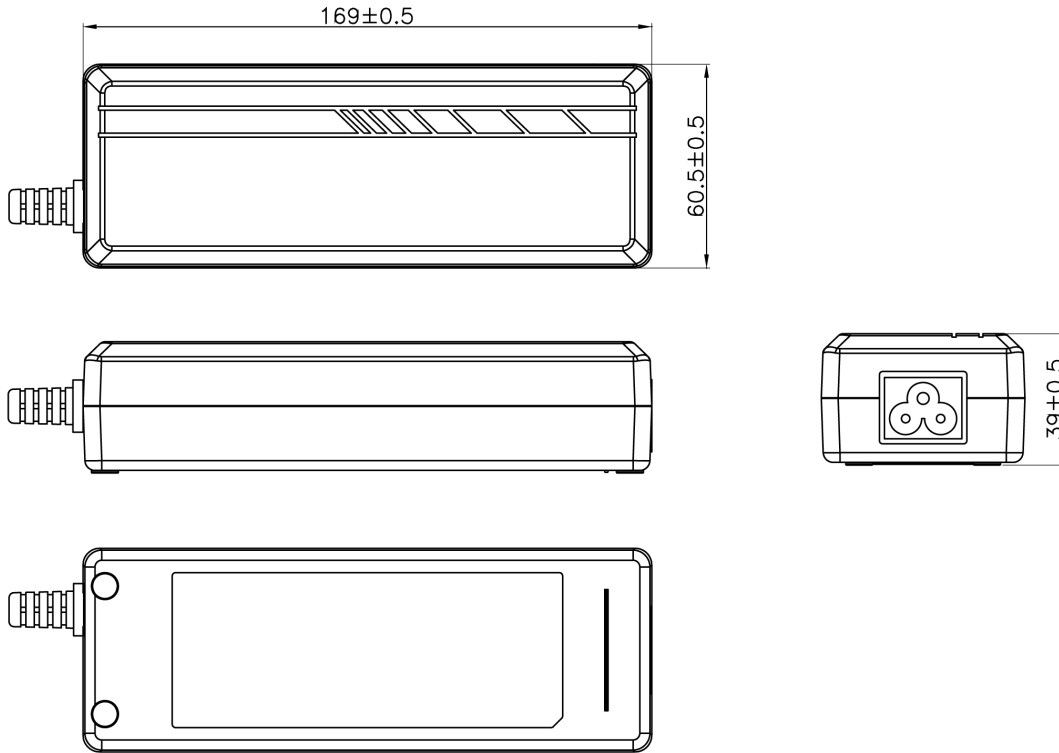
Features:

Available in inlet version: C5 (M3)

Output connector: standard: 2.1 x 5.5 x 11mm or customer requirement | Regulated Output With Low Ripple Noise | Safety Agency Requirements and EMI/EMS Certified
Private Label Marking Available | Modified and Custom Design Available | 2 Years Warranty

INPUT OUTPUT	Voltage	100-240VAC
	Current	4.0A rms max At AC low line input and DC output full load
	Inrush Current	120A max At 115V or 230Vac nominal AC input
	Power consumption	0.21W max. with output no load at 115VAC/230VAC input
	Efficiency	Meet ERP level VI
	Hold up time	5mS min At AC nomind input @ output full load
	Turn delay	7000 ms max At AC low line input@output full load
	Ripple noise	200mV
	Burn-in	2 Hour Full Load
PROTECTION	Over current Short protection	Fold back Auto recovery when abnormal circuit faults remove.
	Over Voltage	Voltage limit
	Input protection	6.3A/250V Fuse The power supply shall be protected against power line surges and any abnormal condition
	Protection class	Class I
SAFETY	CE EMC	2014/30/EU
	CE LVD	2014/35/EU EN 62368
	Safety approvals	CB CE FCC cULus RCM UKCA
	Dielectric Strength (Hi-pot)	IEC 320 3pin primary to secondary (FG) 1500Vac 10mA 1min
	Leakage current	3.5 mA max.
ENVIRONMENTAL	Temperature	Operating: 0~40°C / Storage: -20~85°C
	Humidity	Operating: 8%~90%RH / Storage:5%~95% RH
	Cooling	Natural Convection Cooling
OTHER	MTBF	MTBF shall be least 50,000 hours at 25°C (MIL-HDBK-217F)
	Weight	680g
	Dimension	169x61x39 mm
	Packing	25 pcs 1 box

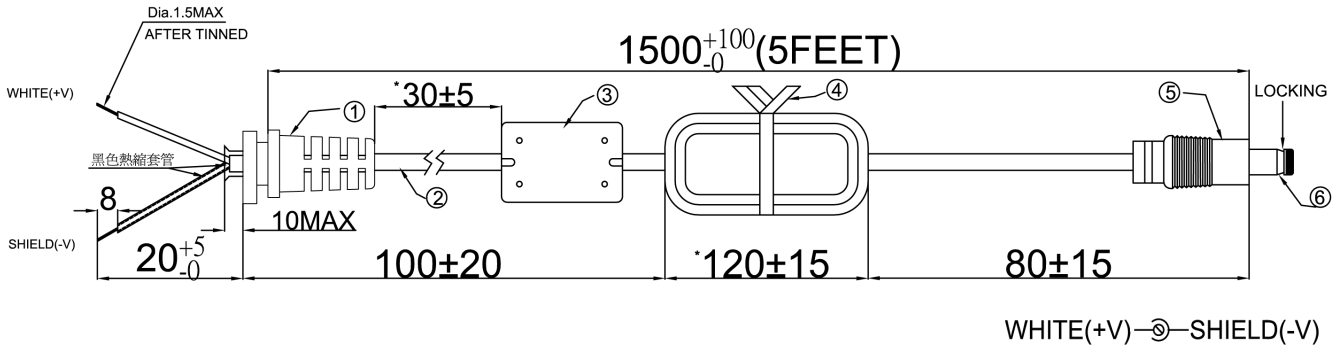
Mechanical case specification:



Cable specification:

for models with Voltage 12V-15V
1185#14*1C+SHIELD|1500mm

for models with Voltage 18V-54V
1185#16*1C+SHIELD|1500mm



Country of Origin : China

Efficiency level (ErP) : VI

GREEN MODE RoHS

Specifications

Model	Voltage DC [V]	Loading [A]	Max. Power [W]	Ripple / Noise [mV] p-p	Connector [mm]
SYS1680-A312	12	0~10.83	130	200	2.1x5.5x11
SYS1680-A315	15	0~8.66	130	200	2.1x5.5x11
SYS1680-A419	19	0~7.36	140	200	2.1x5.5x11
SYS1680-A424	24	0~5.83	140	240	2.1x5.5x11
SYS1680-A448	48	0~2.91	140	480	2.1x5.5x11
SYS1680-A454	54	0~2.59	140	540	2.1x5.5x11

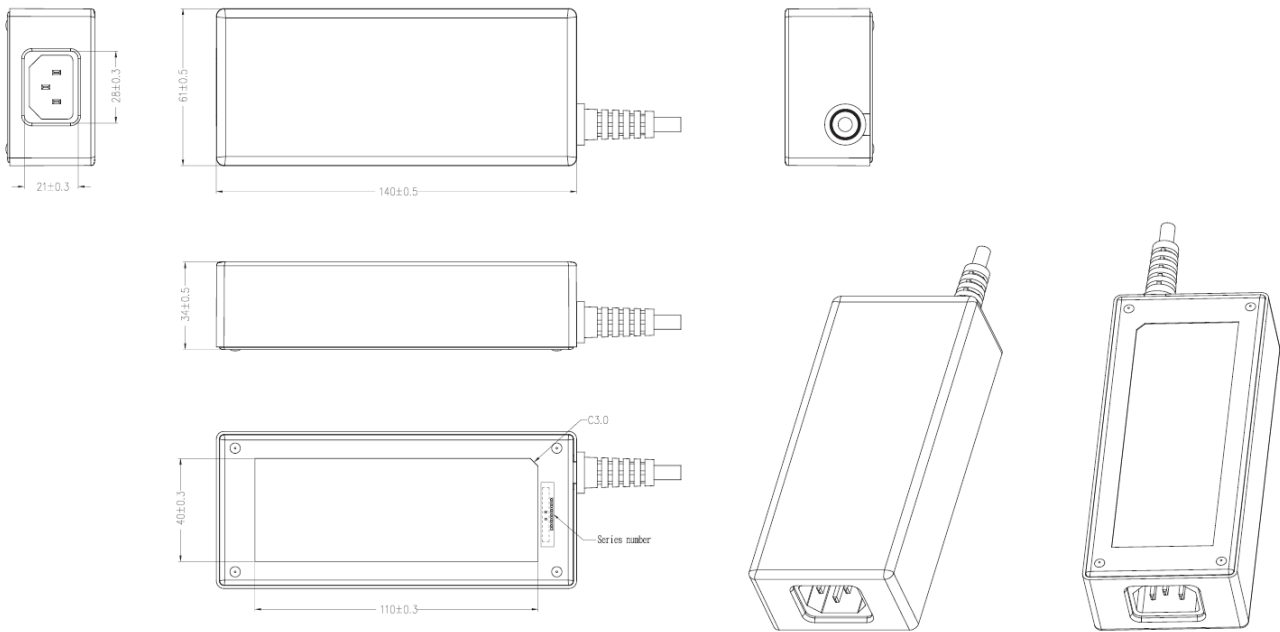
Features:

Available in inlet version: C7 (T3)

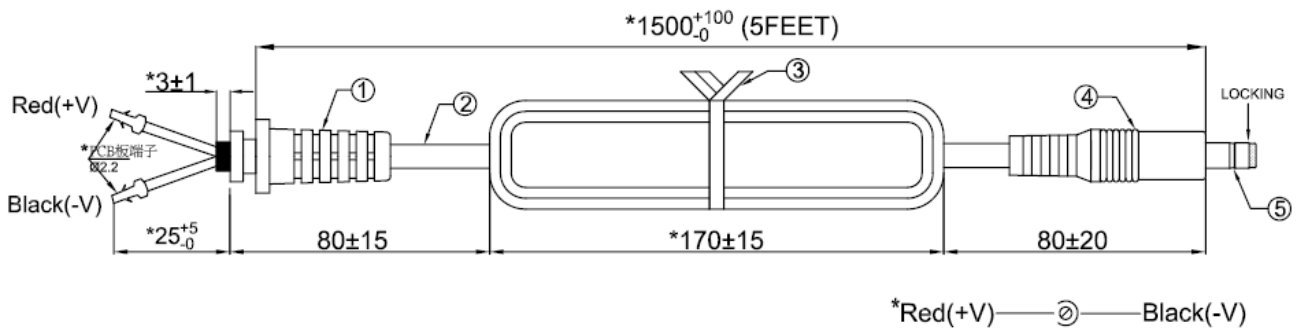
 Output connector: standard: 2.1 x 5.5 x 11mm or customer requirement | Regulated Output With Low Ripple Noise | Safety Agency Requirements and EMI/EMS Certified
 Private Label Marking Available | Modified and Custom Design Available | 2 Years Warranty

INPUT OUTPUT	Voltage	90-264VAC
	Current	2.5A rms max At AC low line input and DC output full load
	Inrush Current	100A max At cold start, ambient temperature 25°C nominal AC input 115VAC/230VAC
	Power consumption	0.21W max. with output no load at 115VAC/230VAC input
	Efficiency	Meet ERP level VI
	Hold up time	5mS min At AC nomind input @ output full load
	Turn delay	3000mS max. 3S max on the condition that input volotage 230V, full load
	Ripple/noise	480mV
Burn-in	2 Hour Full Load	
PROTECTION	Over current/Short protection	Fold back
	Over Voltage	Latch off
	Input protection	5A/250V Fuse
	Protection class	Class I
SAFETY	CE EMC	2014/30/EU
	CE LVD	2014/35/EU IEC 62368-1
	Safety approvals	CB CE FCC UL UKCA
	Dielectric Strength (Hi-pot)	IEC 320 3pin primary to secondary (FG) 2500Vdc 10mA 1min for type test, 2 second for production.
	Leakage current	3.5 mA max
ENVIRONMENTAL	Temperature	Operating: 0~40°C / Storage: -40~80°C
	Humidity	Operating: 10%~90%RH / Storage: 5%~95% RH non condensing
	Cooling	Natural Convection Cooling
OTHER	MTBF	MTBF shall be least 50,000 hours at 25°C (MIL-HDBK-217F)
	Weight	450g
	Dimension	140x61x34 mm
	Packing	25 pcs 1 box

Mechanical case specification:



Cable specification:



Country of Origin : China

Efficiency level (ErP) : VI


GREEN MODE RoHS

Specifications

Model	Voltage DC [V]	Loading [A]	Max. Power [W]
ATS 160T-P120-T3	12	0~12.5	150
ATS 160T-P190-T3	19	0~8.4	160
ATS 160T-P240-T3	24	0~6.6	160
ATS 160T-P480-T3	48	0~3.3	160
ATS 160T-P560-T3	56	0~2.9	160

Features:
INPUT

Voltage	AC 100 V – 240 V
Frequency	50 Hz - 60 Hz
Current	2.2 A max.
Protection	Internal Primary Current Fuse, Inrush Limiting

OUTPUT

Load Regulation	± 5 % (typical)
Ripple	1 % – 2 % V p-p max. for output voltage at full load
Transient Response	0.5 ms for 50 % load change typical
Leakage Current	0.25 mA max.
Protection	Short circuit Protection • Over Voltage Protection • Over Current Protection

OTHERS

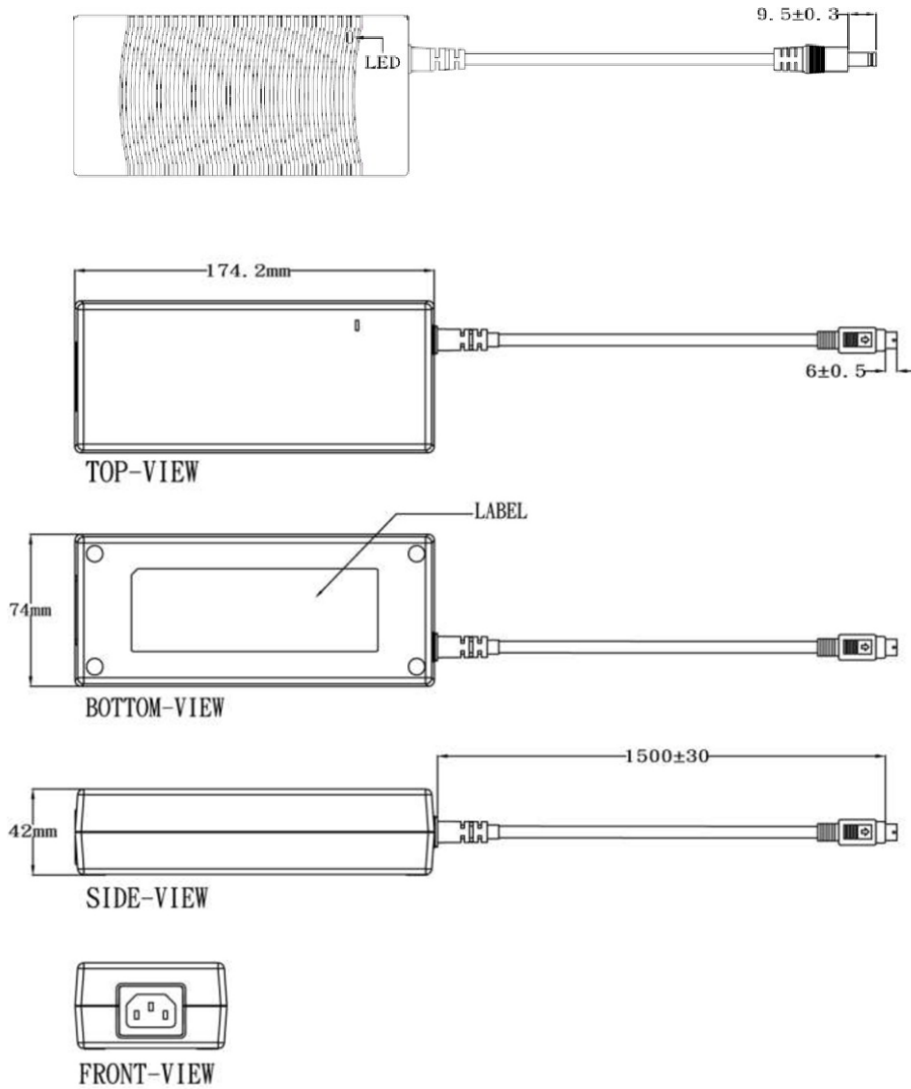
Cooling	Convection
Efficiency	DoE Level VI • Energy Star • ErP Stage 2 • NRCan & GEMS Level VI Certified
Holdup Time	10 ms at full load
Dielectric Withstand	AC 3000 V Primary – Secondary
MTBF	300,000 calculated hours at 25 °C by telcordia SR-332

ENVIRONMENT

Temperature	Operating: 0 °C – 40 °C / Storage: -20 °C – 80 °C
Humidity	Operating: 20 % RH – 80 % RH / Storage: 10 % RH – 90 % RH

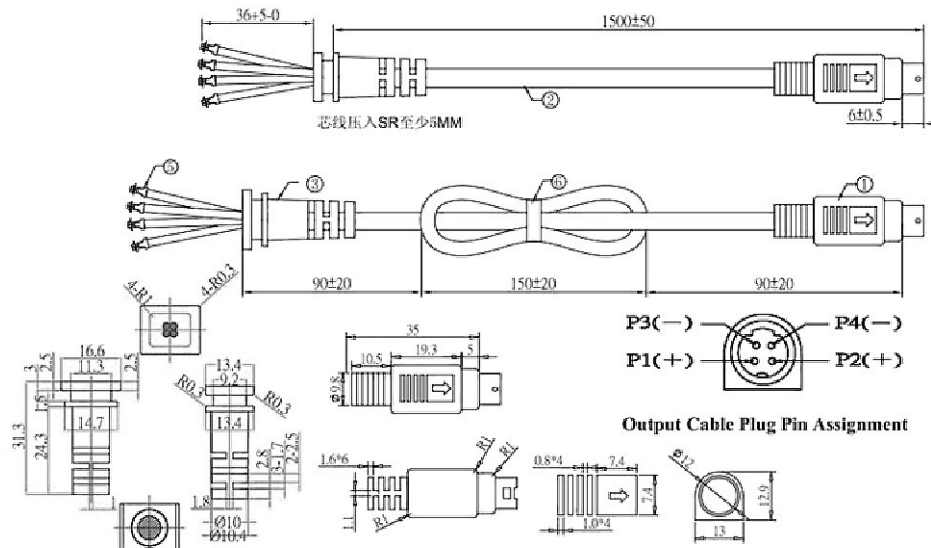
Safety	EN 62368 • CE • RCM • PSE • BSMI (approvals may vary with input plug type) • UKCA
Case Dimensions	175×74×42 mm
Weight	700 g

Mechanical case specification:



Cable specification:

P1= (+V) | P2= (+V) | P3= (-V) | P4= (-V) | SHIELD=Not Connected



Country of Origin : China

Efficiency level (ErP) : VI


GREEN MODE **RoHS**

Specifications

Model	Voltage DC [V]	Loading [A]	Max. Power [W]
ATS 200T-P120-T3	12	0~16.0	192
ATS 200T-P240-T3	24	0~8.3	200
ATS 200T-P480-T3	48	0~4.2	200

Features:

Compliant to DoE 2016 (Level VI) | ErP Stage 2, NRCan & GEMS Level VI | No Load Power Consumption < 0.1 W | Regulated Output with Low Ripple Noise | 1 Year Warranty

INPUT

Voltage	AC 100 V – 240 V
Frequency	50 Hz - 60 Hz
Current	2.8 A max.
Protection	Internal Primary Current Fuse, Inrush Limiting

OUTPUT

Load Regulation	± 5 % (typical)
Ripple	1 % – 2 % V p-p max. for output voltage at full load
Transient Response	0.5 ms for 50 % load change typical
Leakage Current	0.25 mA max.
Protection	Short circuit Protection • Over Voltage Protection • Over Current Protection

OTHERS

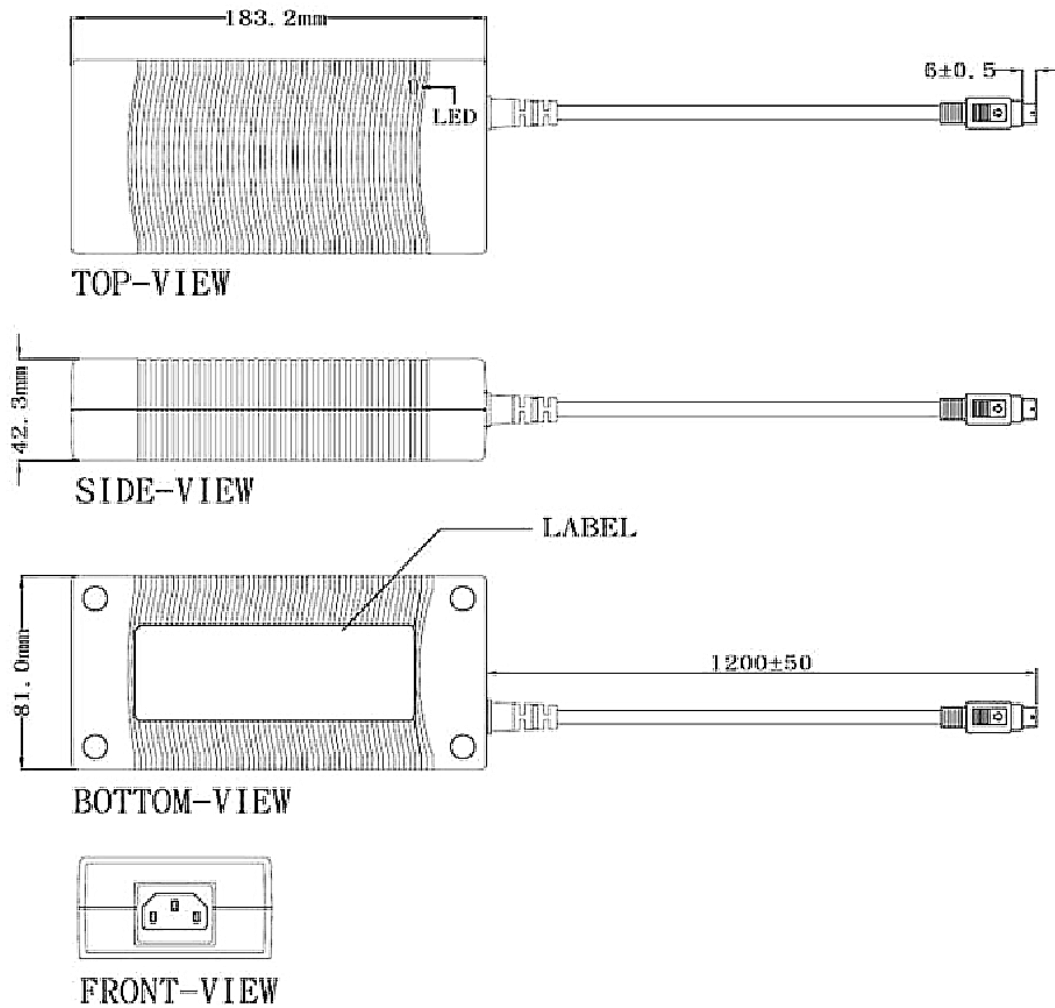
Cooling	Convection
Efficiency	DoE Level VI • Energy Star • ErP Stage 2 • NRCan & GEMS Level VI Certified
Holdup Time	10 ms at full load
Dielectric Withstand	AC 3000 V Primary – Secondary
MTBF	300,000 calculated hours at 25 °C by telcordia SR-332

ENVIRONMENT

Temperature	Operating: 0 °C – 40 °C / Storage: -20 °C – 80 °C
Humidity	Operating: 20 % RH – 80 % RH / Storage: 10 % RH – 90 % RH

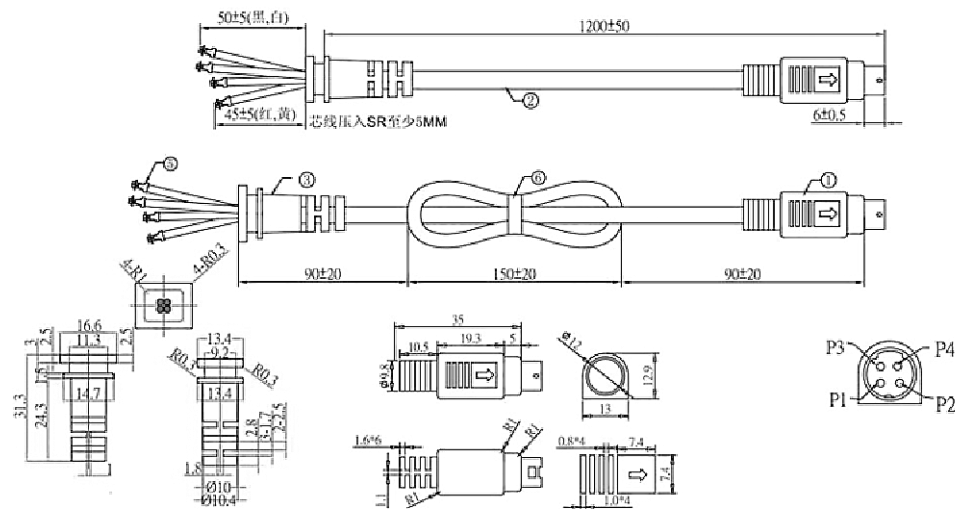
Safety	EN 62368 • CE • PSE • UKCA
Case Dimensions	183x 81x 42 mm
Weight	820 g

Mechanical case specification:



Cable specification:

P1= (+V) | P2= (+V) | P3= (-V) | P4= (-V) | SHIELD=Not Connected



Country of Origin : China

Efficiency level (ErP) : VI


GREEN MODE RoHS

Specifications

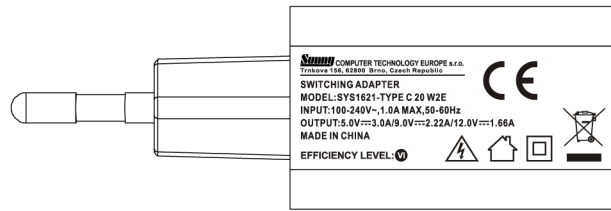
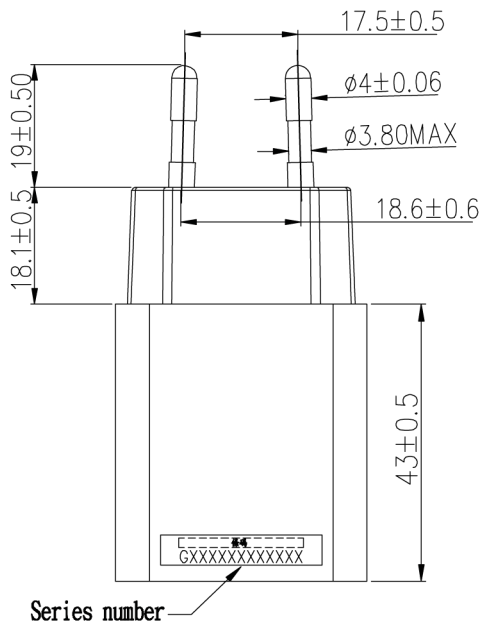
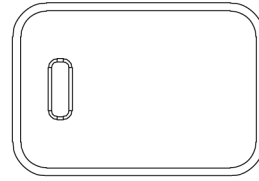
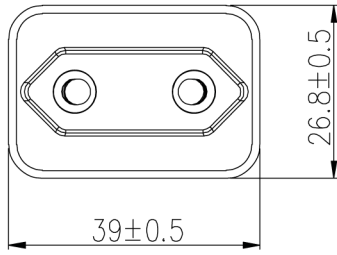
Model	Voltage DC>Loading [V/A]	Max. Power [W]	Ripple / Noise [mV] p-p	Connector
SYS1621-TYPE C 20 W2E	5V/3A, 9V/2.22A, 12V/1.66A	20	300	USB-C

Features:

 PSU housing ready for use in country: Wxx = W2E - Europe
 Output connector: Regulated Output With Low Ripple Noise | Safety Agency Requirements and EMI/EMS Certified
 Private Label Marking Available | Modified and Custom Design Available | 2 Years Warranty | Power delivery

INPUT OUTPUT	Voltage	90-264VAC
	Current	1.5A rms max At AC low line input and DC output full load
	Power consumption	0.1W max. with output no load at 115VAC/230VAC input
	Efficiency	Meet ERP level VI
	Turn delay	3000mS max. 3S max on the condition that input volotage 230V, full load
	Ripple noise	300mV
	Burn-in	Ambient temp: 35C+-3%; 80% load;input voltage 230V;2 hours
PROTECTION	Over current Short protection	Fold back Auto recovery when abnormal circuit faults remove.
	Over Voltage	Auto-detect the charging voltage and current for Type C and iOS devices.
	Input protection	2A/250V Fuse
	Protection class	Class II
SAFETY	CE EMC	2014/30/EU
	CE LVD	2014/35/EU EN 62368
	Safety approvals	CE
	Dielectric Strength (Hi-pot)	IEC 320 2pin primary to secondary 4000Vdc 10mA 1min
	Leakage current	0.25 mA max.
ENVIRONMENTAL	Temperature	Operating: 0~40°C / Storage: -20~85°C
	Humidity	Operating: 8%~90%RH / Storage:5%~95% RH
	Cooling	Natural Convection Cooling
OTHER	MTBF	MTBF shall be least 50,000 hours at 25°C (MIL-HDBK-217F)
	Weight	51g
	Dimension	80x39x27 mm
	Packing	150 pcs 1 box

Mechanical case specification:



Country of Origin : China

Efficiency level (ErP) : VI



GREEN MODE **RoHS**



Specifications

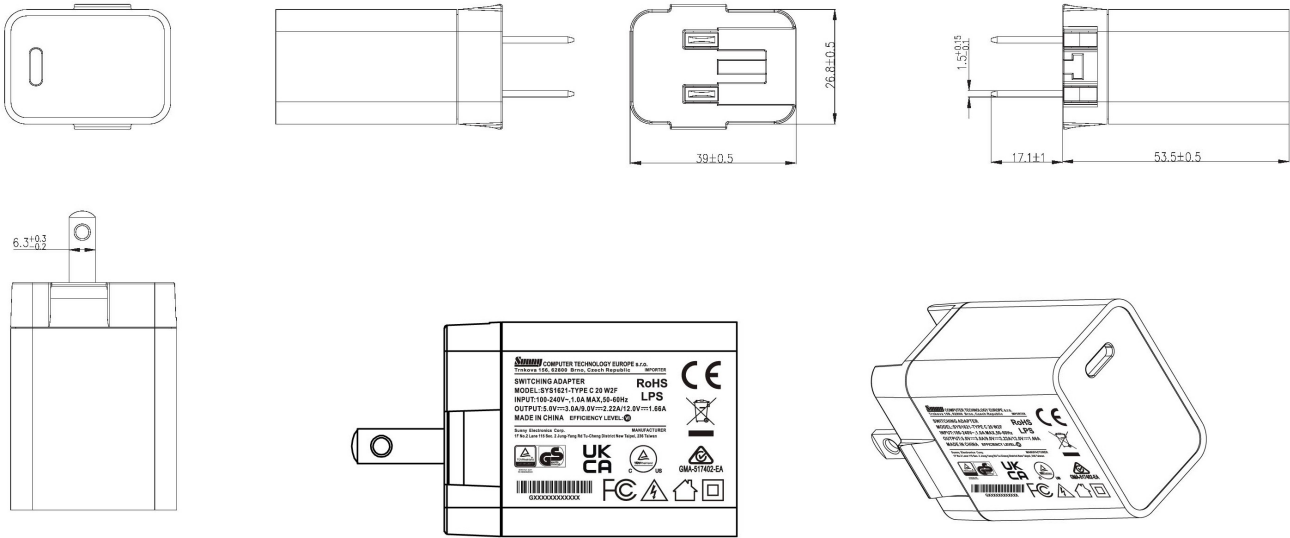
Model	Voltage DC>Loading [V/A]	Max. Power [W]	Ripple / Noise [mV] p-p	Connector
SYS1621-Type C 20 W2F	5V/3A, 9V/2.22A, 12V/1.66A	20	300	USB-C

Features:

Auto-detect the charging voltage and current for Type C and iOS devices.
 Changeable plugs ready for use in countries:
 Wxx = W2E - Europe | W3U - England | W2 - USA, Canada, Japan (fixed) | W2A - Australia | W2G - Argentina | W2K - Korea | W2C - China | W2I - India
 Output connector: Regulated Output With Low Ripple Noise | Safety Agency Requirements and EMI/EMS Certified
 Private Label Marking Available | 2 Years Warranty

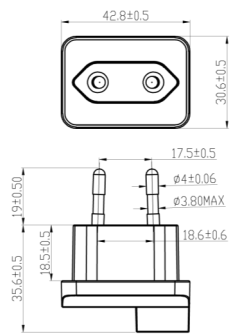
INPUT OUTPUT	Voltage	90-264VAC
	Current	1.5A rms max At AC low line input and DC output full load
	Power consumption	0.1W max. with output no load at 115VAC/230VAC input
	Efficiency	Meet ERP level VI
	Turn delay	3000mS max. 3S max on the condition that input volotage 230V, full load
	Ripple noise	300mV
	Burn-in	Ambient temp: 35C+-3%; 80% load;input voltage 230V;2 hours
PROTECTION	Over current Short protection	Fold back Auto recovery when abnormal circuit faults remove.
	Over Voltage	Auto recovery
	Input protection	2A/250V Fuse
	Protection class	Class II
SAFETY	CE EMC	2014/30/EU
	CE LVD	2014/35/EU EN IEC 62368
	Safety approvals	cTUVus FCC GS CB CE UKCA RCM PSE EAC BSMI CCC BIS UL
	Dielectric Strength (Hi-pot)	IEC 320 2pin primary to secondary 4000Vdc 10mA 1min
	Leakage current	0.25 mA max.
ENVIRONMENTAL	Temperature	Operating: 0~40°C / Storage: -20~85°C
	Humidity	Operating: 8%~90%RH / Storage:5%~95% RH
	Cooling	Natural Convection Cooling
OTHER	MTBF	MTBF shall be least 50,000 hours at 25°C (MIL-HDBK-217F)
	Weight	53g
	Dimension	70x39x27 mm
	Packing	200 pcs 1 box

Mechanical case specification:

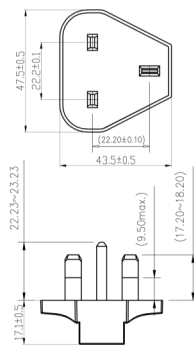


Mechanical specification (country housing):

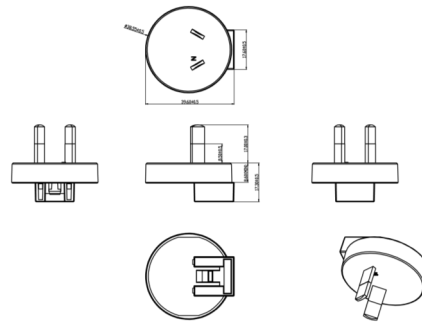
Europe type (W2E)



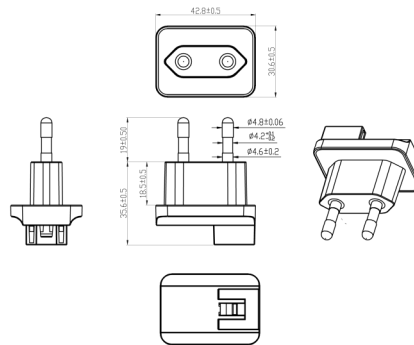
UK type (W3U)



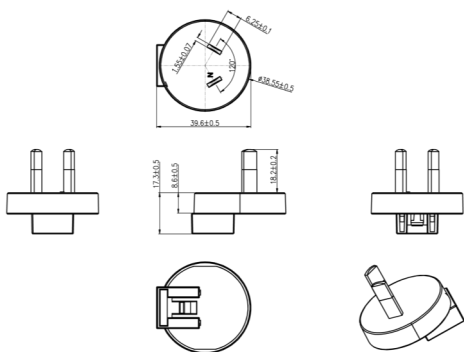
Australia type (W2A)



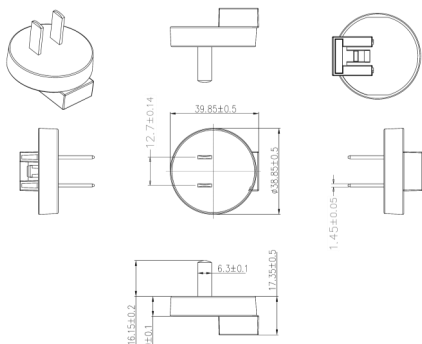
Korea (W2K)



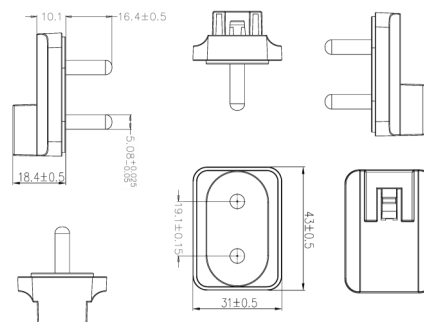
Argentina (W2G)



China (W2C)



India (W2I)



Country of Origin : China
Efficiency level (ErP) : VI



GREEN MODE **RoHS**



Specifications

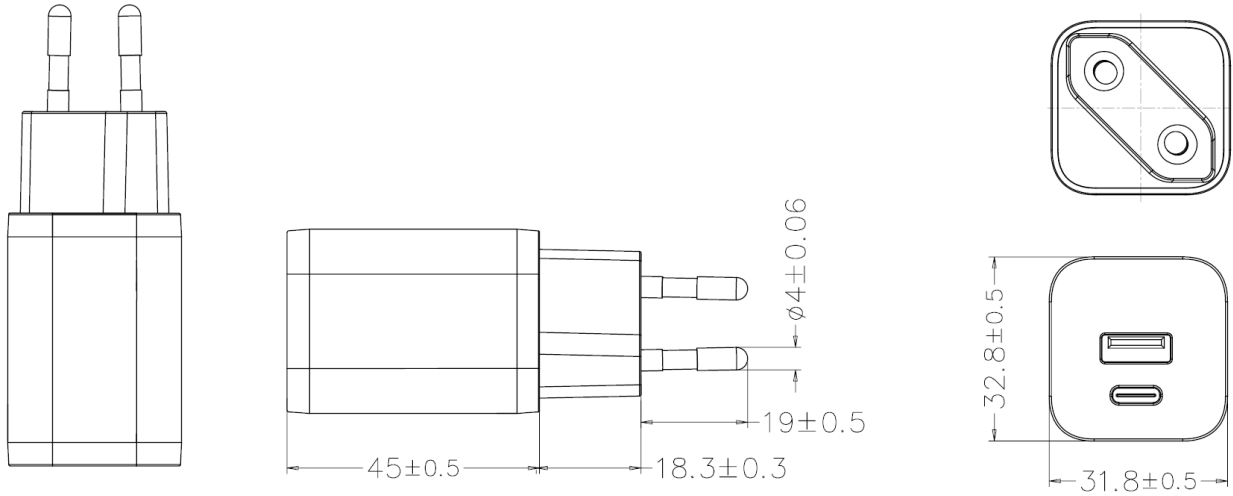
Model	Output port usage	Output Specification	Max Power (W)
SYS1100-W2E	Type C	5V/3A, 9V/3A, 12V/2.5A, 15V/2A, 20V/1.5A	30
	Type A	5V/3A, 9V/3A, 12V/2.5A, 20V/1.5A	30
	Type A+C	5V/3A	15

Features:

GaN technology Power Supply
Auto-detect the charging voltage and current for Type C and iOS devices
Support PD3.0 | QC3.0 | PPS protocols
Certified plugs: W2E - Europe | W2 - USA, Canada, Japan, Taiwan
Output connector: Regulated Output With Low Ripple Noise | Safety Agency Requirements and EMI/EMS Certified
Private Label Marking Available | 2 Years Warranty

INPUT OUTPUT	Voltage	90-264VAC
	Current	1.5A rms max At AC low line input and DC output full load
	Power consumption	0.3W rms max At AC nominal input@output no load
	Efficiency	Meet ERP level VI
	Turn delay	3000mS max. 3S max on the condition that input volotage 230V, full load
	Ripple noise	300mV
	Burn-in	2 Hour Full Load
PROTECTION	Over current Short protection	Fold back
	Over Voltage	The power supply shall be self-recovering when the fault condition is removed
	Input protection	2.0A/250V Fuse
	Protection class	Class II
SAFETY	CE EMC	2014/30/EU
	CE LVD	2014/35/EU EN 62368-1:2018
	Safety approvals	CE
	Dielectric Strength (Hi-pot)	IEC 320 2pin primary to secondary 4000Vdc 10mA 1min
	Leakage current	0.25 mA max.
ENVIRONMENTAL	Temperature	Operating: 0~35°C / Storage: -20~85°C
	Humidity	Operating: 8%~90%RH / Storage: 5%~95% RH non condensing
	Cooling	Natural Convection Cooling
OTHER	MTBF	MTBF shall be least 50,000 hours at 25°C (MIL-HDBK-217F)
	Weight	50g
	Dimension	45x33x32 mm
	Packing	200 pcs 1 box

Mechanical case specification:



Country of Origin : China

Efficiency level (ErP) : VI

GREEN MODE RoHS

Specifications

Model	Voltage DC/Loading [V/A]	Max. Power [W]	Ripple / Noise [mV] p-p	Connector
SYS1621-Type C 30 Wxx*	5V/3A, 9V/3A, 12V/2.5A, 15V/2A, 20V/1.5A	30	300	USB-C
SYS1621-Type C 45 Wxx*	5V/3A, 9V/3A, 12V/3A, 15V/3A, 20V/2.2A	45	300	USB-C
SYS1621-Type C 60 Wxx*	5V/3A, 9V/3A, 12V/3A, 15V/3A, 20V/3A	60	300	USB-C

Features:

Changeable plugs ready for use in countries:

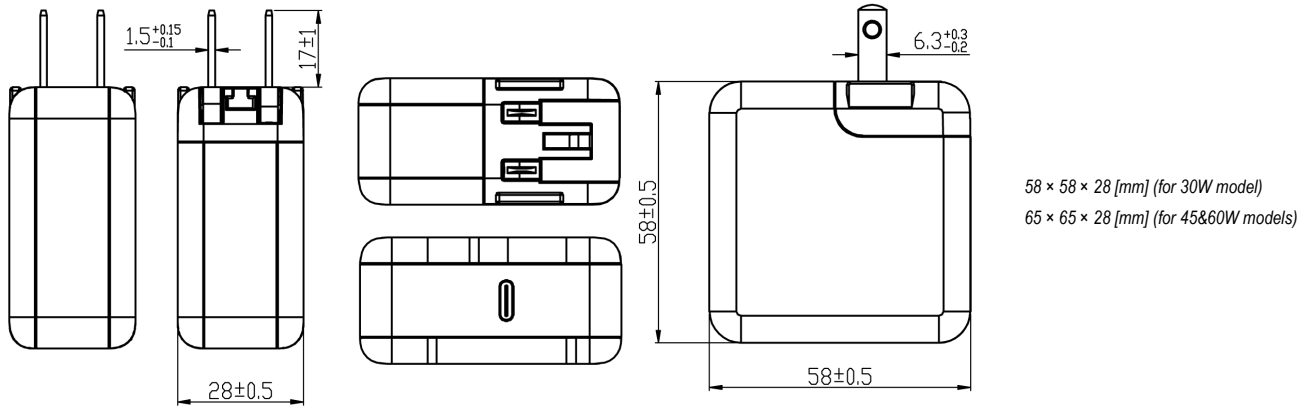
Wxx = W2E - Europe | W3U - England | W2 - USA, Canada, Japan (fixed) | W2A - Australia | W2G - Argentina | W2K - Korea | W2C - China | W2I - India

Output connector: Regulated Output With Low Ripple Noise | Safety Agency Requirements and EMI/EMS Certified

Private Label Marking Available | Modified and Custom Design Available | 2 Years Warranty | Power delivery

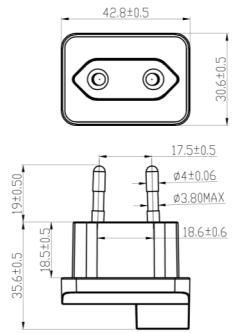
INPUT OUTPUT	Voltage	100-264VAC
	Current	1.5A rms max At AC low line input and DC output full load
	Inrush Current	40/60A max@power supply cold start, ambient temperature 25°C @115Vac/230Vac nominal AC input
	Power consumption	0.21W max. with output no load at 115VAC/230VAC input
	Efficiency	Meet ERP level VI
	Hold up time	10ms min@AC nominal input@output full load (>half cycle)
	Turn delay	5000mS max. At AC low line input @ output full load.
	Ripple noise	300mV
	Burn-in	2 Hours Full Load
PROTECTION	Over current Short protection	Fold back Auto recovery when abnormal circuit faults remove.
	Over Voltage	Auto-detect the charging voltage and current for Type C and iOS devices.
	Input protection	3.15A/250V Fuse
	Protection class	Class II
SAFETY	CE EMC	2014/30/EU
	CE LVD	2014/35/EU EN 62368
	Safety approvals	CE FCC CB (45W)
	Dielectric Strength (Hi-pot)	IEC 320 2pin primary to secondary 3000Vac 10mA 1min
	Leakage current	0.25 mA max.
ENVIRONMENTAL	Temperature	Operating: 0~30°C / Storage: -20~85°C
	Humidity	Operating: 8%~90%RH / Storage:5%~95% RH
	Cooling	Natural Convection Cooling
OTHER	MTBF	MTBF shall be least 50,000 hours at 25°C (MIL-HDBK-217F)
	Weight	133g (30W model) 90g (45&60W models)
	Dimension	58×58×28 mm (30W model) 65×65×28 mm (45&60W models)
	Packing	120 pcs 1 box

Mechanical case specification: + fixed plug US / Japan type (W2)

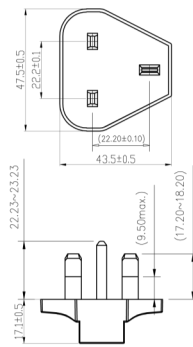


Mechanical specification (country housing):

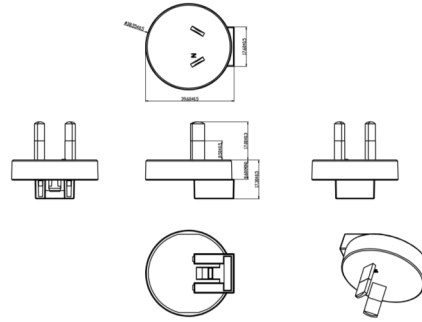
Europe type (W2E)



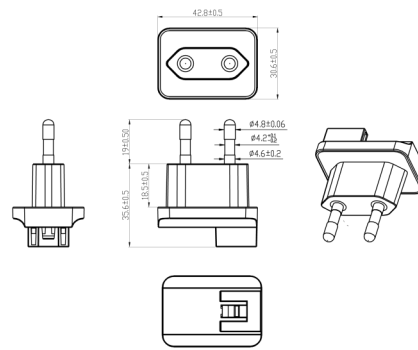
UK type (W3U)



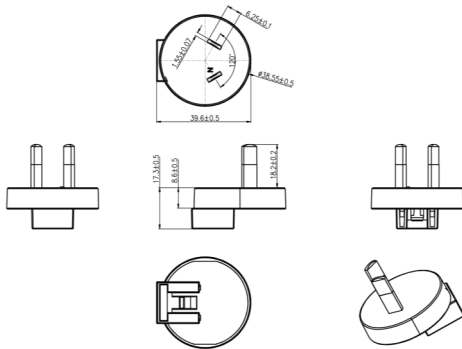
Australia type (W2A)



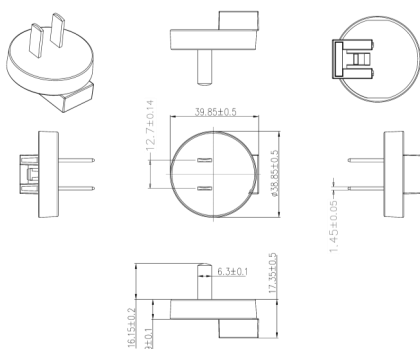
Korea (W2K)



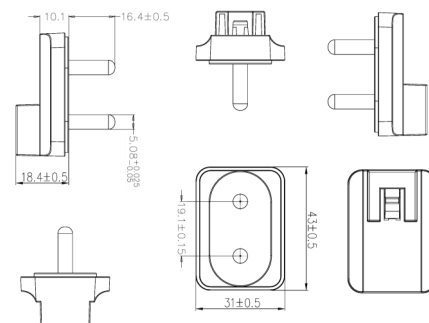
Argentina (W2G)



China (W2C)



India (W2I)



Country of Origin : China

Efficiency level (ErP) : VI



GREEN MODE **RoHS**



Specifications

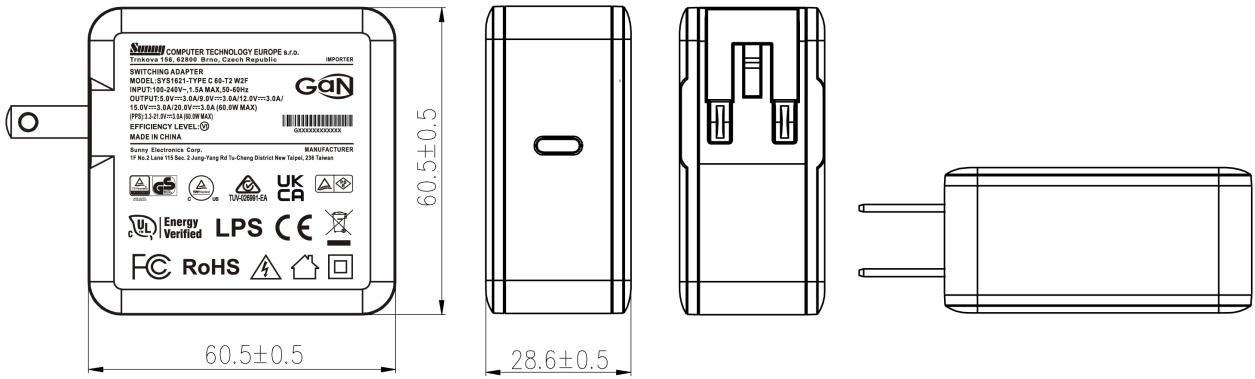
Model	Voltage DC/Loading [V/A]	Max. Power [W]	Ripple / Noise [mV] p-p	Connector
SYS1621-TYPE C 60 W2F	5V/3A, 9V/3A, 12V/3A, 15V/3A, 20V/3A	60	250	USB-C

Features:

GaN technology Power Supply
 Auto-detect the charging voltage and current for Type C and ios devices.
 Meet PD3.0 requirement rules
 The Programmable Power Supply (PPS) output is 3.3-21V / 3.0A max (60W max)
 Changeable plugs ready for use in countries:
 Wxx = W2E - Europe | W3U - England | W2 - USA, Canada, Japan (fixed) | W2A - Australia | W2G - Argentina | W2K - Korea | W2C - China | W2I - India
 Output connector: Regulated Output With Low Ripple Noise | Safety Agency Requirements and EMI/EMS Certified
 Private Label Marking Available | 2 Years Warranty

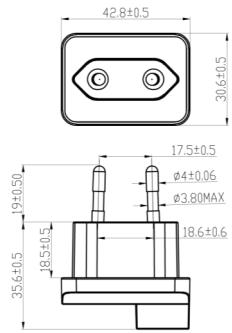
INPUT OUTPUT	Voltage	90-264VAC
	Current	1.5A rms max At AC low line input and DC output full load
	Inrush Current	0
	Power consumption	0.21W max. with output no load at 115VAC/230VAC input
	Efficiency	Meet ERP level VI
	Hold up time	0
	Turn delay	5000mS max. At AC low line input @ output full load.
	Ripple noise	250mV
	Burn-in	2 Hour Full Load
PROTECTION	Over current Short protection	Fold back Auto recovery when abnormal circuit faults remove.
	Over Voltage	Auto recovery
	Input protection	3.15A/250V Fuse The power supply shall be protected against power line surges and any abnormal condition
	Protection class	Class II
SAFETY	CE EMC	2014/30/EU
	CE LVD	2014/35/EU EN IEC 62368
	Safety approvals	GS cTUVus FCC CE CB RCM PSE UKCA UL KC BSMI
	Dielectric Strength (Hi-pot)	IEC 320 2pin primary to secondary 4000Vdc 10mA 1min
	Leakage current	0.25 mA max.
ENVIRONMENTAL	Temperature	Operating: -5~35°C / Storage: -20~85°C
	Humidity	Operating: 8%~90%RH / Storage:5%~95% RH
	Cooling	Natural Convection Cooling
OTHER	MTBF	MTBF shall be least 50,000 hours at 25°C (MIL-HDBK-217F)
	Weight	0
	Dimension	61x61x29 mm
	Packing	100 pcs 1 box

Mechanical case specification: + fixed plug US / Japan type (W2)

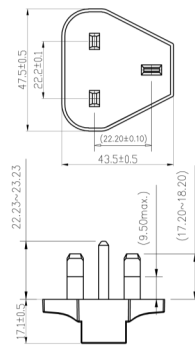


Mechanical specification (country housing):

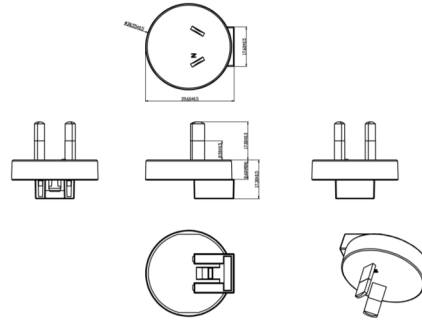
Europe type (W2E)



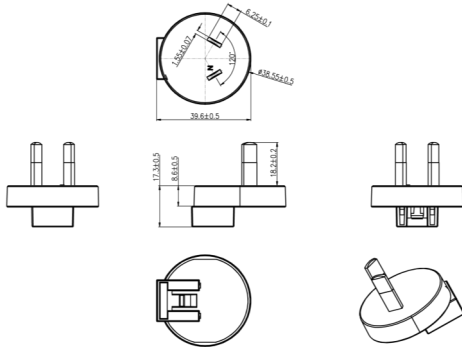
UK type (W3U)



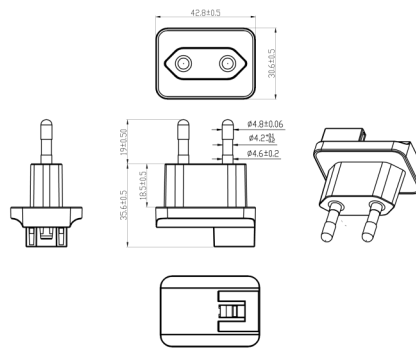
Australia type (W2A)



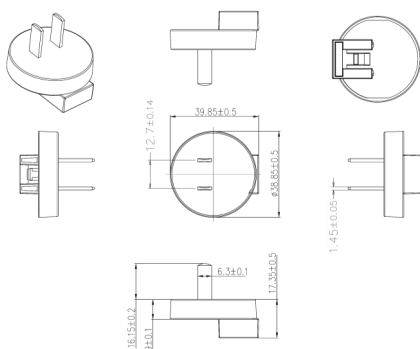
Argentina (W2G)



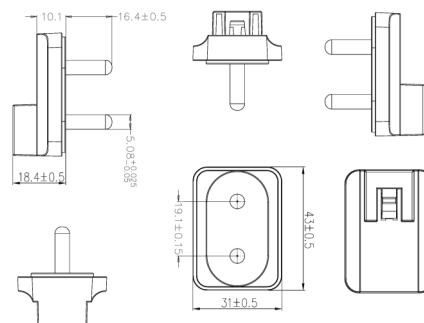
Korea (W2K)



China (W2C)



India (W2I)



Country of Origin : China

Efficiency level (ErP) : VI

GREEN MODE **RoHS**



Specifications

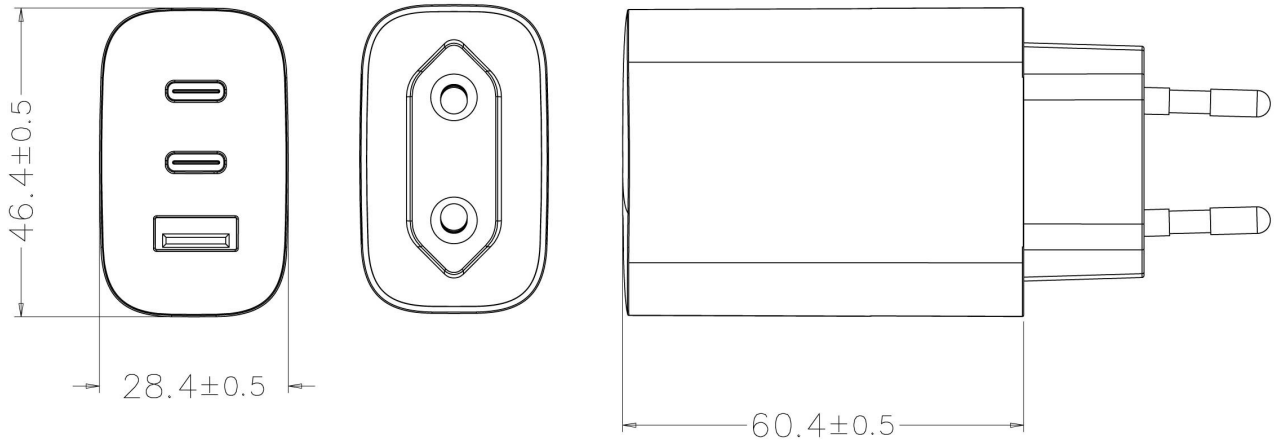
Model	Output port usage	Output Specification	Max Power (W)
SYS1102 W2E	Type C1	5V/3A, 9V/3A, 12V/3A, 15V/3A, 20V/3.25A 3.3-21V/3A (65W max)	65
	Type C2	5V/3A, 9V/3A, 12V/3A, 15V/3A, 20V/3.25A 3.3-21V/3A (65W max)	65
	Type A	5V/3A, 9V/2A, 12V/1.5A (18W max)	18
	Type C1+C2	C1: 5V/3A, 9V/3A, 12V/3A, 15V/3A, 20V/2.25A 5.0-21V/2.1A (45W max) + C2: 5V/3A, 9V/2.22A, 12V/1.66A (20W max)	65
	Type C1+A	C1: 5V/3A, 9V/3A, 12V/3A, 15V/3A, 20V/2.25A 5.0-21V/2.1A (45W max) + A: 5V/3A, 9V/2A, 12V/1.5A (18W max)	63
	Type C2+A	C2+A: 5V/3A (15W max)	15
	Type C1+C2+A	C1: 5V/3A, 9V/3A, 12V/3A, 15V/3A, 20V/2.25A 5.0-21V/2.1A (45W max)+ C2+A: 5V/3A (15W max)	60

Features:

GaN technology Power Supply
 Auto-detect the charging voltage and current for Type C and ios devices
 Support PD3.0 | QC3.0 | PPS protocols
 PSU housing W2E - Europe
 Output connector: Regulated Output With Low Ripple Noise | Safety Agency Requirements and EMI/EMS Certified
 Private Label Marking Available | 2 Years Warranty

INPUT OUTPUT	Voltage	90-264VAC
	Current	2.0A rms max At AC low line input and DC output full load
	Power consumption	0.21W max. with output no load at 115VAC/230VAC input
	Efficiency	Meet ERP level VI
	Turn delay	3000mS max. 3S max on the condition that input volotage 230V, full load
	Ripple noise	300mV
	Burn-in	2 Hour Full Load
PROTECTION	Over current Short protection	Fold back
	Input protection	3.15A/250V Fuse The power supply shall be protected against power line surges and any abnormal condition
	Protection class	Class II
SAFETY	CE EMC	2014/30/EU
	CE LVD	2014/35/EU EN IEC 62368
	Safety approvals	CE
	Dielectric Strength (Hi-pot)	IEC 320 2pin primary to secondary 4000Vdc 10mA 1min
	Leakage current	0.25 mA max.
ENVIRONMENTAL	Temperature	Operating: 0~35°C / Storage: -20~85°C
	Humidity	Operating: 8%~90%RH / Storage:5%~95% RH
	Cooling	Natural Convection Cooling
OTHER	MTBF	MTBF shall be least 50,000 hours at 25°C (MIL-HDBK-217F)
	Weight	111g
	Dimension	78x28x46 mm
	Packing	80 pcs 1 box

Mechanical case specification:



Country of Origin : China

Efficiency level (ErP) : VI


GREEN MODE **RoHS**

Specifications

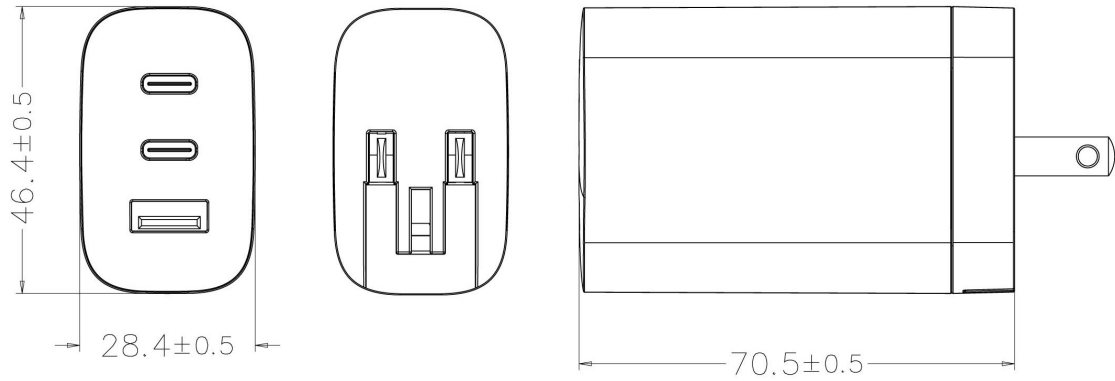
Model	Output port usage	Output Specification	Max Power (W)
SYS1102 W2F	Type C1	5V/3A, 9V/3A, 12V/3A, 15V/3A, 20V/3.25A 3.3-21V/3A (65W max)	65
	Type C2	5V/3A, 9V/3A, 12V/3A, 15V/3A, 20V/3.25A 3.3-21V/3A (65W max)	65
	Type A	5V/3A, 9V/2A, 12V/1.5A (18W max)	18
	Type C1+C2	C1: 5V/3A, 9V/3A, 12V/3A, 15V/3A, 20V/2.25A 5.0-21V/2.1A (45W max) + C2: 5V/3A, 9V/2.22A, 12V/1.66A (20W max)	65
	Type C1+A	C1: 5V/3A, 9V/3A, 12V/3A, 15V/3A, 20V/2.25A 5.0-21V/2.1A (45W max) + A: 5V/3A, 9V/2A, 12V/1.5A (18W max)	63
	Type C2+A	C2+A: 5V/3A (15W max)	15
	Type C1+C2+A	C1: 5V/3A, 9V/3A, 12V/3A, 15V/3A, 20V/2.25A 5.0-21V/2.1A (45W max)+ C2+A: 5V/3A (15W max)	60

Features:

GaN technology Power Supply
 Auto-detect the charging voltage and current for Type C and ios devices
 Support PD3.0 | QC3.0 | PPS protocols
 Changeable plugs ready for use in countries:
 Wxx = W2E - Europe | W3U - England | W2 - USA, Canada, Japan (fixed) | W2A - Australia | W2G - Argentina | W2K - Korea | W2C - China | W2I - India
 Output connector: Regulated Output With Low Ripple Noise | Safety Agency Requirements and EMV/EMS Certified
 Private Label Marking Available | 2 Years Warranty

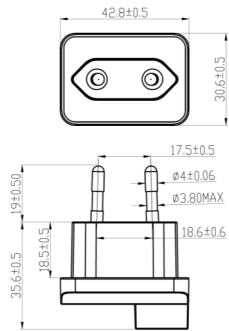
INPUT OUTPUT	Voltage	90-264VAC
	Current	2.0A rms max At AC low line input and DC output full load
	Power consumption	0.21W max. with output no load at 115VAC/230VAC input
	Efficiency	Meet ERP level VI
	Turn delay	3000mS max. 3S max on the condition that input volotage 230V, full load
	Ripple noise	300mV
	Burn-in	2 Hour Full Load
PROTECTION	Over current Short protection	Fold back
	Input protection	3.15A/250V Fuse The power supply shall be protected against power line surges and any abnormal condition
	Protection class	Class II
SAFETY	CE EMC	2014/30/EU
	CE LVD	2014/35/EU EN IEC 62368
	Safety approvals	CE FCC
	Dielectric Strength (Hi-pot)	IEC 320 2pin primary to secondary 4000Vdc 10mA 1min
	Leakage current	0.25 mA max.
ENVIRONMENTAL	Temperature	Operating: 0~35°C / Storage: -20~85°C
	Humidity	Operating: 8%~90%RH / Storage:5%~95% RH
	Cooling	Natural Convection Cooling
OTHER	MTBF	MTBF shall be least 50,000 hours at 25°C (MIL-HDBK-217F)
	Weight	105g
	Dimension	71x28x46 mm
	Packing	80 pcs 1 box

Mechanical case specification: + fixed plug US / Japan type (W2)

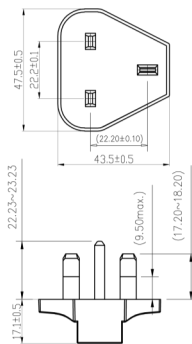


Mechanical specification (country housing) suitable with 1621 series:

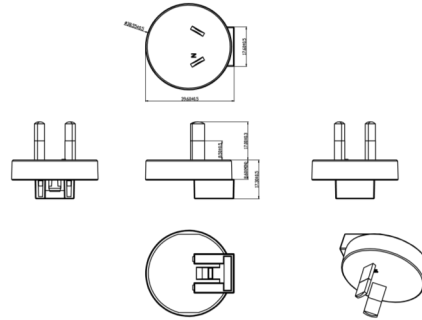
Europe type (W2E)



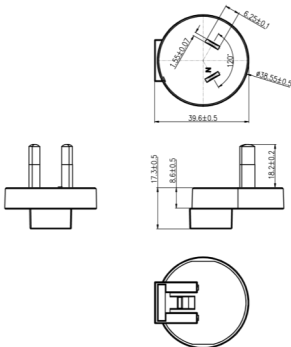
UK type (W3U)



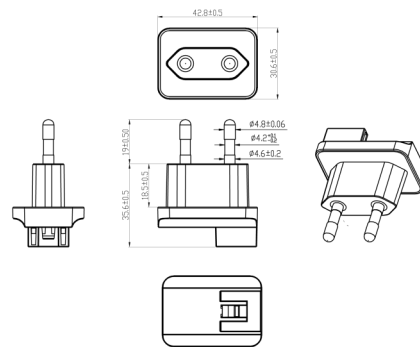
Australia type (W2A)



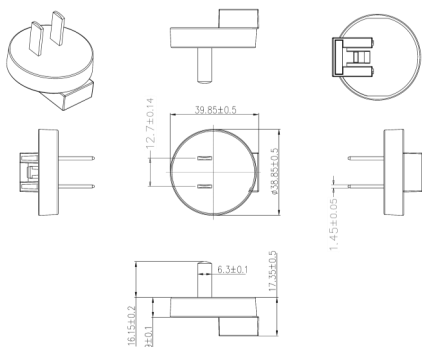
Argentina (W2G)



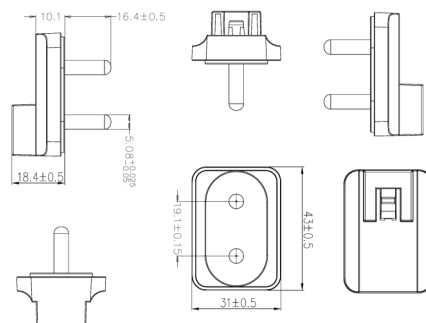
Korea (W2K)



China (W2C)



India (W2I)



Country of Origin : China
Efficiency level (ErP) : VI



GREEN MODE **RoHS**



Specifications

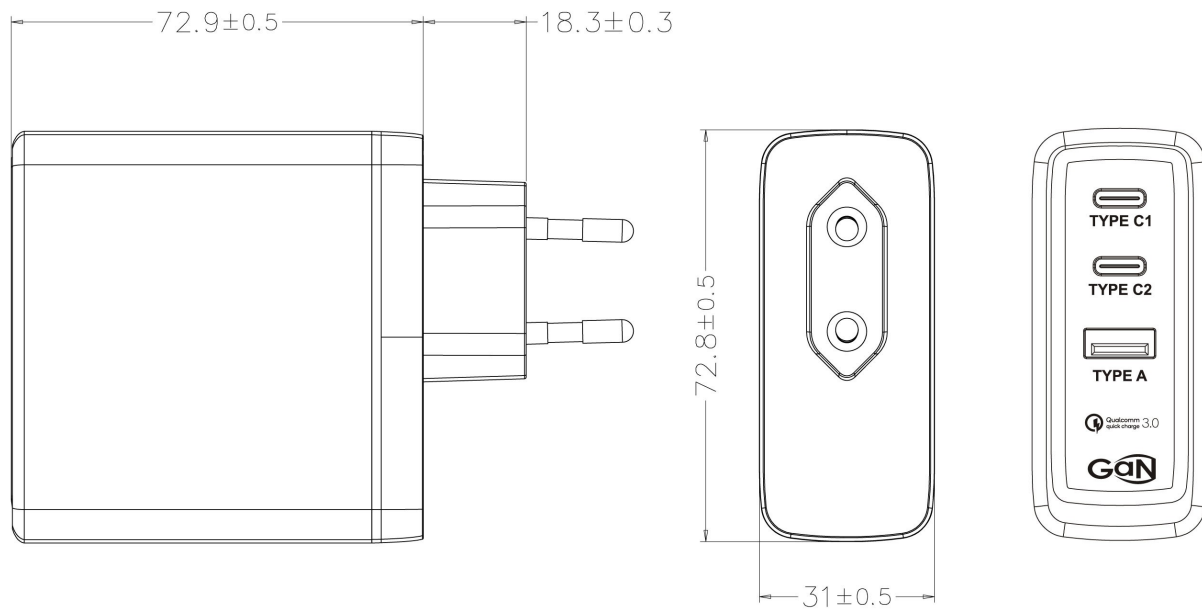
Model	Output port usage	Output Specification	Max Power (W)
SYS1101 W2E	Type C1	5V/3A, 9V/3A, 12V/3A, 15V/3A, 20V/5A 5.0-21V/5A (100W max)	100
	Type C2	5V/3A, 9V/3A, 12V/3A, 15V/3A, 20V/5A 5.0-21V/5A (100W max)	100
	Type A	5V/3A, 9V/3A, 12V/3A, 20V/3A (60W max)	60
	Type C1+C2	C1: 5V/3A, 9V/3A, 12V/3A, 15V/3A, 20V/3.25A 5.0-11V/3.0A (65W max)+ C2: (C1 5V/9V/12V):5V/3A (15W max)+ C2: (C1 15V/20V):5V/3A, 9V/2.22A, 12V/1.67A (PPS 20W max)	85
	Type C1+A	C1: 5V/3A, 9V/3A, 12V/3A, 15V/3A, 20V/3.25A 5.0-11V/3.0A (65W max)+ A: (C1 5V/9V/12V):5V/3A (15W max) A: (C1 15V/20V):5V/3A, 9V/2A, 12V/1.5A (PPS 18W max)	83
	Type C2+A	C2+A: 5V/3A (15W max)	15
	Type C1+C2+A	C1: 5V/3A, 9V/3A, 12V/3A, 15V/3A, 20V/3.25A 5.0-11V/3.0A (65W max)+ C2+A: 5V/3A (15W max)	80

Features:

GaN technology Power Supply
Auto-detect the charging voltage and current for Type C and ios devices
Support PD3.0 |QC3.0 | PPS protocols
PSU housing W2E - Europe
Output connector: Regulated Output With Low Ripple Noise | Safety Agency Requirements and EMI/EMS Certified
Private Label Marking Available | 2 Years Warranty

INPUT OUTPUT	Voltage	90-264VAC
	Current	2.5A rms max At AC low line input and DC output full load
	Power consumption	0.21W max. with output no load at 115VAC/230VAC input
	Efficiency	Meet ERP level VI
	Turn delay	3000mS max. 3S max on the condition that input volotage 230V, full load
	Ripple noise	300mV
	Burn-in	2 Hour Full Load
PROTECTION	Over current Short protection	Fold back
	Input protection	5A/250V Fuse
	Protection class	Class II
SAFETY	CE EMC	2014/30/EU
	CE LVD	2014/35/EU EN IEC 62368
	Safety approvals	CE
	Dielectric Strength (Hi-pot)	IEC 320 2pin primary to secondary 4000Vdc 10mA 1min
	Leakage current	0.25 mA max.
ENVIRONMENTAL	Temperature	Operating: 0~35°C / Storage: -20~85°C
	Humidity	Operating: 8%~90%RH / Storage:5%~95% RH
	Cooling	Natural Convection Cooling
OTHER	MTBF	MTBF shall be least 50,000 hours at 25°C (MIL-HDBK-217F)
	Weight	241g
	Dimension	74x73x31 mm
	Packing	40 pcs 1 box

Mechanical case specification:



Country of Origin : China
 Efficiency level (ErP) : VI



GREEN MODE **RoHS**



Specifications

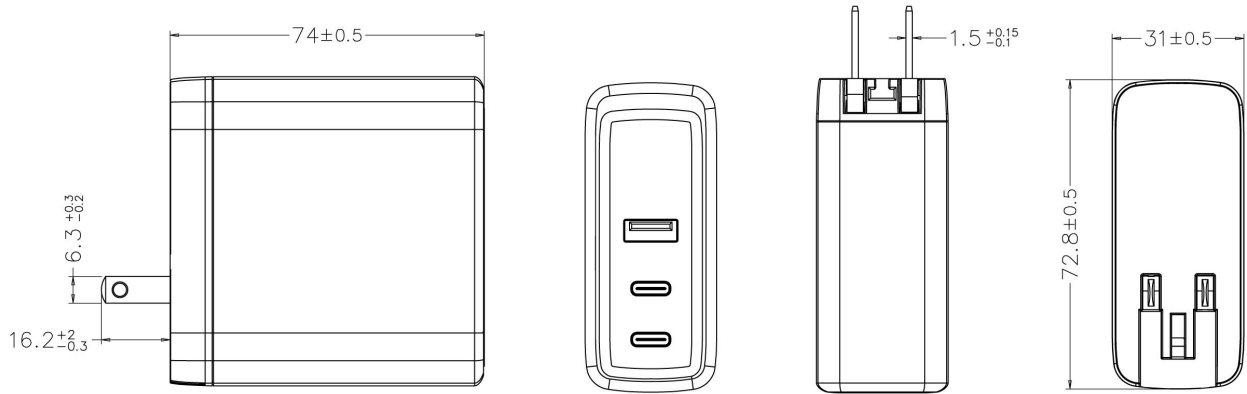
Model	Output port usage	Output Specification	Max Power (W)
SYS1101 W2F	Type C1	5V/3A, 9V/3A, 12V/3A, 15V/3A, 20V/5A 5.0-21V/5A (100W max)	100
	Type C2	5V/3A, 9V/3A, 12V/3A, 15V/3A, 20V/5A 5.0-21V/5A (100W max)	100
	Type A	5V/3A, 9V/3A, 12V/3A, 20V/3A (60W max)	60
	Type C1+C2	C1: 5V/3A, 9V/3A, 12V/3A, 15V/3A, 20V/3.25A 5.0-11V/3.0A (65W max)+ C2: (C1 5V/9V/12V):5V/3A (15W max)+ C2: (C1 15V/20V):5V/3A, 9V/2.22A, 12V/1.67A (PPS 20W max)	85
	Type C1+A	C1: 5V/3A, 9V/3A, 12V/3A, 15V/3A, 20V/3.25A 5.0-11V/3.0A (65W max)+ A: (C1 5V/9V/12V):5V/3A (15W max) A: (C1 15V/20V):5V/3A, 9V/2A, 12V/1.5A (PPS 18W max)	83
	Type C2+A	C2+A: 5V/3A (15W max)	15
	Type C1+C2+A	C1: 5V/3A, 9V/3A, 12V/3A, 15V/3A, 20V/3.25A 5.0-11V/3.0A (65W max)+ C2+A: 5V/3A (15W max)	80

Features:

GaN technology Power Supply
 Auto-detect the charging voltage and current for Type C and ios devices
 Support PD3.0 | QC3.0 | PPS protocols
 Changeable plugs ready for use in countries:
 Wxx = W2E - Europe | W3U - England | W2 - USA, Canada, Japan (fixed) | W2A - Australia | W2G - Argentina | W2K - Korea | W2C - China | W2I - India
 Output connector: Regulated Output With Low Ripple Noise | Safety Agency Requirements and EMI/EMS Certified
 Private Label Marking Available | 2 Years Warranty

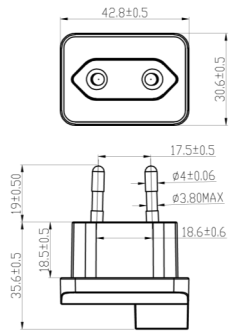
INPUT OUTPUT	Voltage	90-264VAC
	Current	2.5A rms max At AC low line input and DC output full load
	Power consumption	0.21W max. with output no load at 115VAC/230VAC input
	Efficiency	Meet ERP level VI
	Turn delay	3000mS max. 3S max on the condition that input volotage 230V, full load
	Ripple noise	300mV
	Burn-in	2 Hour Full Load
PROTECTION	Over current Short protection	Fold back
	Input protection	5A/250V Fuse
	Protection class	Class II
SAFETY	CE EMC	2014/30/EU
	CE LVD	2014/35/EU EN IEC 62368
	Safety approvals	CE FCC
	Dielectric Strength (Hi-pot)	IEC 320 2pin primary to secondary 4000Vdc 10mA 1min
	Leakage current	0.25 mA max.
ENVIRONMENTAL	Temperature	Operating: 0~35°C / Storage: -20~85°C
	Humidity	Operating: 8%~90%RH / Storage:5%~95% RH
	Cooling	Natural Convection Cooling
OTHER	MTBF	MTBF shall be least 50,000 hours at 25°C (MIL-HDBK-217F)
	Weight	241g
	Dimension	74x73x31 mm
	Packing	40 pcs 1 box

Mechanical case specification: + fixed plug US / Japan type (W2)

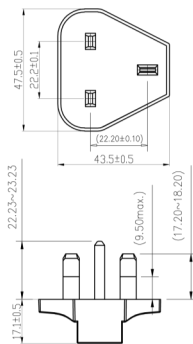


Mechanical specification (country housing) suitable with 1621 series:

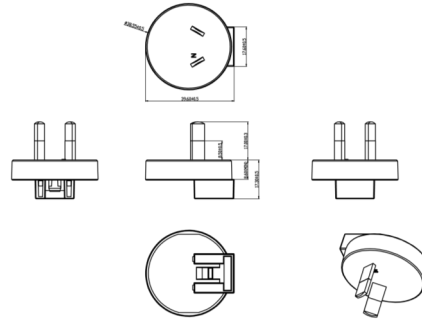
Europe type (W2E)



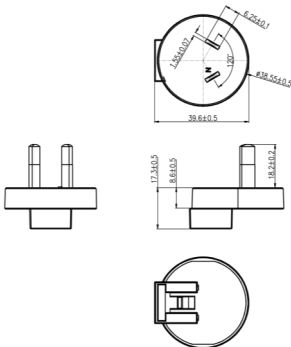
UK type (W3U)



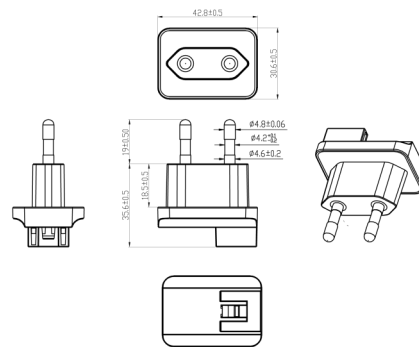
Australia type (W2A)



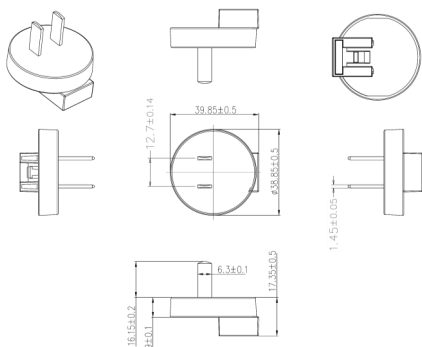
Argentina (W2G)



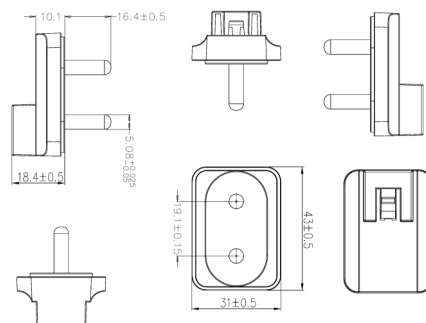
Korea (W2K)



China (W2C)



India (W2I)



Country of Origin : China

Efficiency level (ErP) : VI



GREEN MODE **RoHS**



Specifications

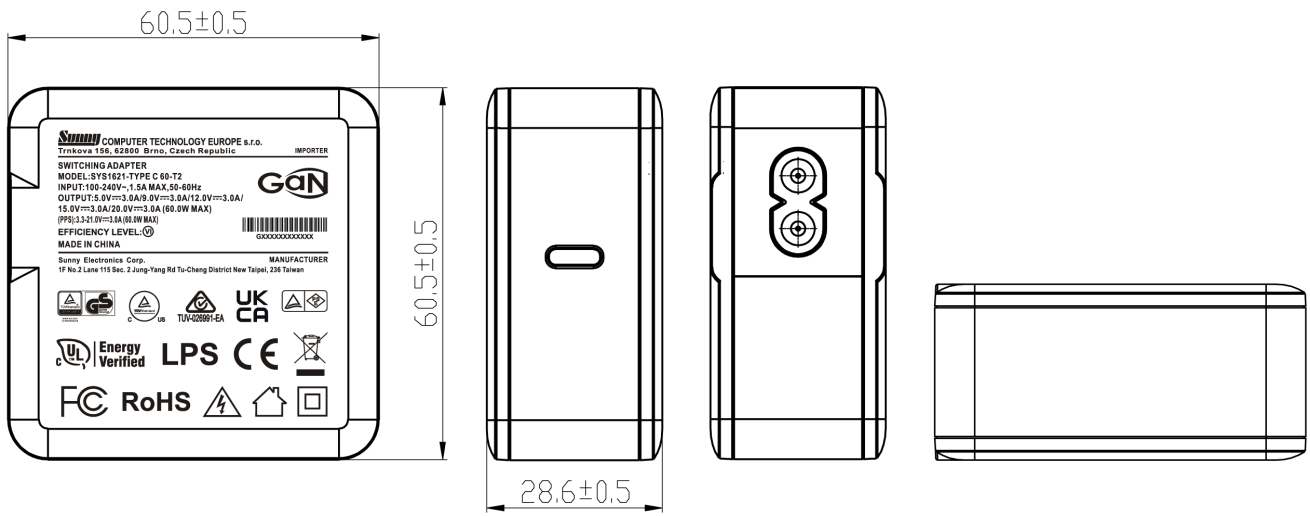
Model	Voltage DC/Loading [V/A]	Max. Power [W]	Ripple / Noise [mV] p-p	Connector
SYS1621-TYPE C 60-T2	5V/3A, 9V/3A, 12V/3A, 15V/3A, 20V/3A	60	250	USB-C

Features:

GaN technology Power Supply
 Auto-detect the charging voltage and current for Type C and ios devices.
 Meet PD3.0 requirement rules
 The Programmable Power Supply (PPS) output is 3.3-21V / 3.0A max (60W max)
 USB-C desktop charger T2
 Output connector: Regulated Output With Low Ripple Noise | Safety Agency Requirements and EMI/EMS Certified
 Private Label Marking Available | 2 Years Warranty

INPUT OUTPUT	Voltage	90-264VAC
	Current	1.5A rms max At AC low line input and DC output full load
	Power consumption	0.21W max. with output no load at 115VAC/230VAC input
	Efficiency	Meet ERP level VI
	Turn delay	5000mS max. At AC low line input @ output full load.
	Ripple noise	250mV
	Burn-in	2 Hour Full Load
PROTECTION	Over current Short protection	Fold back Auto recovery when abnormal circuit faults remove.
	Over Voltage	Auto recovery
	Input protection	3.15A/250V Fuse The power supply shall be protected against power line surges and any abnormal condition
	Protection class	Class II
SAFETY	CE EMC	2014/30/EU
	CE LVD	2014/35/EU EN IEC 62368
	Safety approvals	GS cTUVus FCC CE CB RCM PSE UKCA UL KC BSMI
	Dielectric Strength (Hi-pot)	IEC 320 2pin primary to secondary 4000Vdc 10mA 1min
	Leakage current	0.25 mA max.
ENVIRONMENTAL	Temperature	Operating: -5~35°C / Storage: -20~85°C
	Humidity	Operating: 8%~90%RH / Storage:5%~95% RH
	Cooling	Natural Convection Cooling
OTHER	MTBF	MTBF shall be least 50,000 hours at 25°C (MIL-HDBK-217F)
	Weight	0
	Dimension	61x61x29 mm
	Packing	100 pcs 1 box

Mechanical case specification:



Country of Origin : China

Efficiency level (ErP) : VI



GREEN MODE **RoHS**



Specifications

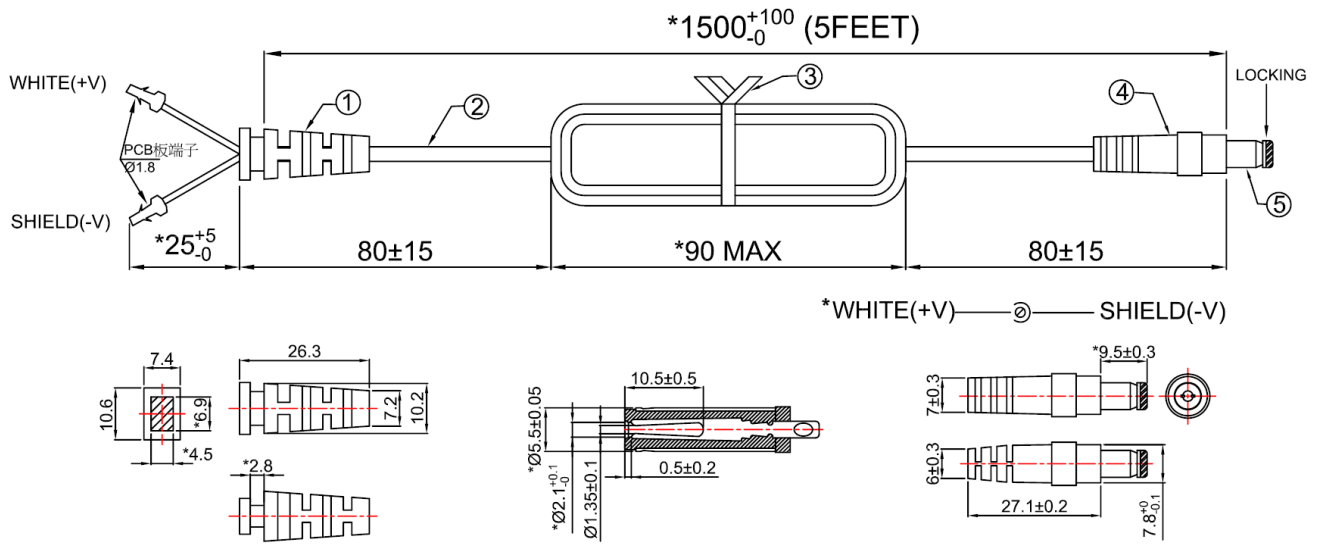
Model	Voltage DC [V]	Loading [A]	Max. Power [W]	Connector [mm]
SYM1007-1105-Wxx*	5	0~2.1	11	2.1x5.5x11
SYM1007-1505-Wxx*	5	0~3.0	15	2.1x5.5x11
SYM1007-2305-Wxx*	5	0~4.6	23	2.1x5.5x11
SYM1007-1507-Wxx*	7	0~2.0	15	2.1x5.5x11
SYM1007-1809-Wxx*	9	0~2.0	18	2.1x5.5x11
SYM1007-2412-Wxx*	12	0~2.0	24	2.1x5.5x11
SYM1007-2418-Wxx*	18	0~1.33	24	2.1x5.5x11
SYM1007-2419-Wxx*	19	0~1.25	24	2.1x5.5x11
SYM1007-2420-Wxx*	20	0~1.2	24	2.1x5.5x11
SYM1007-2424-Wxx*	24	0~1.0	24	2.1x5.5x11
SYM1007-2307-Wxx*	7.5	0~3	22.5	2.1x5.5x11
SYM1007-2709-Wxx*	9	0~3	27	2.1x5.5x11
SYM1007-3612-Wxx*	12	0~3	36	2.1x5.5x11
SYM1007-3618-Wxx*	18	0~2	36	2.1x5.5x11
SYM1007-3619-Wxx*	19	0~1.89	36	2.1x5.5x11
SYM1007-3620-Wxx*	20	0~1.8	36	2.1x5.5x11
SYM1007-3624-Wxx*	24	0~1.5	36	2.1x5.5x11

Features:

For Medical Products | Enclosure | STB | Industrial equipment | 2 Years Warranty
 Certified changeable plugs Wxx = W2E - Europe | W3U - England | W2 - USA, Canada, Japan, Taiwan | W2A - Australia | W2C - China | W2K - Korea | W2I - India
 Output connector: standard: 2.1 x 5.5 x 11mm or customer requirement | Regulated Output With Low Ripple Noise | Private Label Marking Available | Modified and Custom Design Available

INPUT OUTPUT	Voltage	90-264VAC
	Current	1.0A rms max At AC low line input and DC output full load
	Inrush Current	60A max At cold start, ambient temperature 25°C nominal AC input 115VAC/230VAC
	Power consumption	0.1W rms max At AC nominal input@output no load
	Efficiency	Meet ERP level VI
	Hold up time	5mS min At AC nominal input @ output full load
	Turn delay	3000mS max. 3S max on the condition that input volotage 230V, full load
	Ripple noise	200mV
PROTECTION	Burn-in	2 Hour Full Load
	Over current Short protection	Fold back
	Over Voltage	The power supply shall be self-recovering when the fault condition is removed
	Input protection	2.0A/250V Fuse
SAFETY	Protection class	Class II
	CE EMC	2014/30/EU
	CE LVD	2014/35/EU IEC 60601-1
	Safety approvals	TUV/GS CE CB FCC
	Dielectric Strength (Hi-pot)	IEC 320 2pin primary to secondary 4000Vdc 10mA 1min
ENVIRONMENTAL	Leakage current	0.1 mA max.
	Temperature	Operating: 0~40°C / Storage: -20~60°C
	Humidity	Operating: 10%~90%RH / Storage: 5%~95% RH non condensing
OTHER	Cooling	Natural Convection Cooling
	MTBF	MTBF shall be least 50,000 hours at 25°C (MIL-HDBK-217F)
	Weight	135g
	Dimension	83x34x51 mm
Packing	80 pcs 1 box	

Cable specification:



Country of Origin : China

Efficiency level (ErP) : VI



GREEN MODE **RoHS**



Specifications

Model	Voltage DC [V]	Loading [A]	Max. Power [W]	Connector [mm]
SYM1008-1105-W2E	5	0~2.1	11	2.1x5.5x11
SYM1008-1505-W2E	5	0~3.0	15	2.1x5.5x11
SYM1008-2305-W2E	5	0~4.6	23	2.1x5.5x11
SYM1008-1507-W2E	7	0~2.0	15	2.1x5.5x11
SYM1008-1809-W2E	9	0~2.0	18	2.1x5.5x11
SYM1008-2412-W2E	12	0~2.0	24	2.1x5.5x11
SYM1008-2418-W2E	18	0~1.33	24	2.1x5.5x11
SYM1008-2419-W2E	19	0~1.25	24	2.1x5.5x11
SYM1008-2420-W2E	20	0~1.2	24	2.1x5.5x11
SYM1008-2424-W2E	24	0~1.0	24	2.1x5.5x11
SYM1008-2307-W2E	7.5	0~3	22.5	2.1x5.5x11
SYM1008-2709-W2E	9	0~3	27	2.1x5.5x11
SYM1008-3612-W2E	12	0~3	36	2.1x5.5x11
SYM1008-3618-W2E	18	0~2	36	2.1x5.5x11
SYM1008-3619-W2E	19	0~1.89	36	2.1x5.5x11
SYM1008-3620-W2E	20	0~1.8	36	2.1x5.5x11
SYM1008-3624-W2E	24	0~1.5	36	2.1x5.5x11

Features:

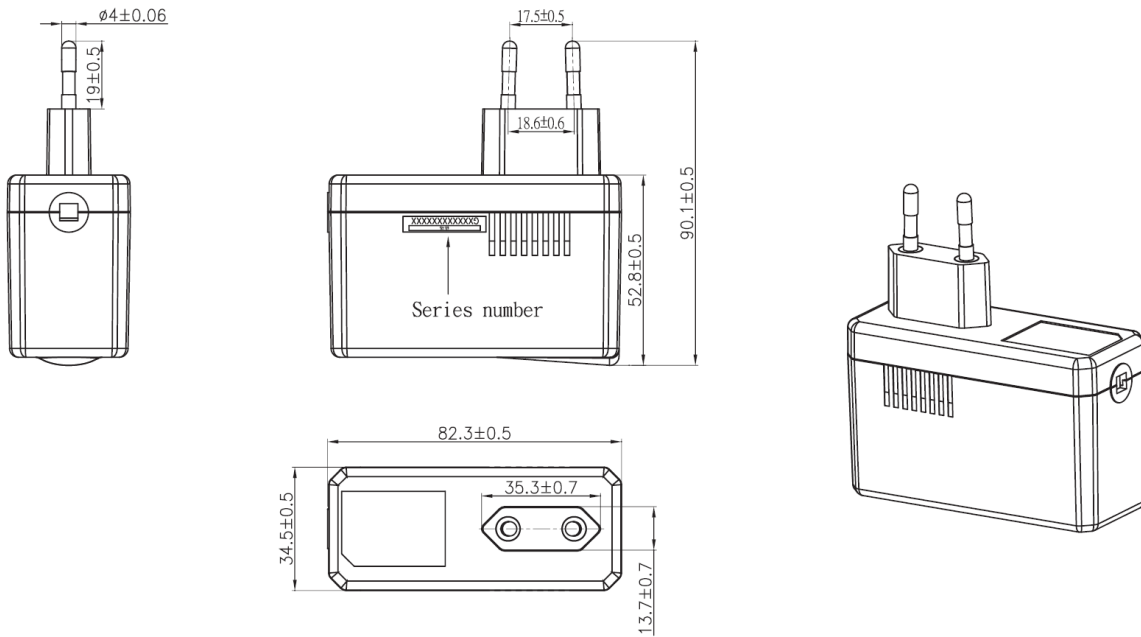
For Medical Products | Enclosure | STB | Industrial equipment | 2 Years Warranty

Certified plugs: W2E - Europe | W2 - USA, Canada, Japan, Taiwan

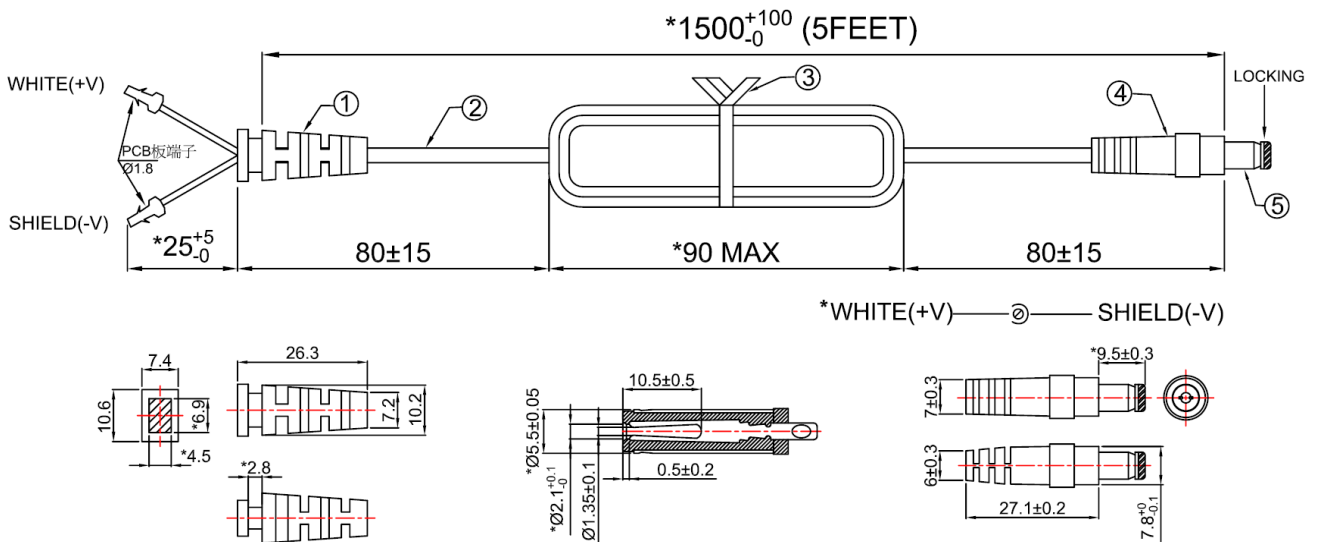
Output connector: standard: 2.1 x 5.5 x 11mm or customer requirement | Regulated Output With Low Ripple Noise | Private Label Marking Available | Modified and Custom Design Available

INPUT OUTPUT	Voltage	90-264VAC
	Current	1.0A rms max At AC low line input and DC output full load
	Inrush Current	60A max At cold start, ambient temperature 25°C nominal AC input 115VAC/230VAC
	Power consumption	0.1W rms max At AC nominal input@output no load
	Efficiency	Meet ERP level VI
	Hold up time	5mS min At AC nominal input @ output full load
	Turn delay	3000mS max. 3S max on the condition that input voltage 230V, full load
	Ripple noise	200mV
	Burn-in	2 Hour Full Load
PROTECTION	Over current Short protection	Fold back
	Over Voltage	The power supply shall be self-recovering when the fault condition is removed
	Input protection	2.0A/250V Fuse
	Protection class	Class II
SAFETY	CE EMC	2014/30/EU
	CE LVD	2014/35/EU IEC 60601-1
	Safety approvals	TUV/GS CE CB
	Dielectric Strength (Hi-pot)	IEC 320 2pin primary to secondary 4000Vdc 10mA 1min
	Leakage current	0.1 mA max.
ENVIRONMENTAL	Temperature	Operating: 0~40°C / Storage: -20~60°C
	Humidity	Operating: 10%~90%RH / Storage: 5%~95% RH non condensing
	Cooling	Natural Convection Cooling
OTHER	MTBF	MTBF shall be least 50,000 hours at 25°C (MIL-HDBK-217F)
	Weight	135g
	Dimension	83x34x51 mm
	Packing	80 pcs 1 box

Mechanical case specification:



Cable specification:



Country of Origin : China

Efficiency level (ErP) : V

GREEN MODE RoHS

Specification:

	Model	Voltage DC [V]	Loading [A]	Line/Road regulation [%]	Over Current [A]	Over Voltage [V]	Max. Power [W]	Ripple / Noise [mV] p-p	Connector UL approved [mm]
ErP V.	SYL1460-2412-Wxx*	12	0.01~2.00	5	2.05 ~ 3.5	< 20	24	250	2.1x5.5x11
	SYL1460-2415-Wxx*	15	0.01~1.60	5	1.65 ~ 3.0	< 25	24	250	2.1x5.5x11
	SYL1460-2424-Wxx*	24	0.01~1.00	5	1.05 ~ 2.0	< 40	24	300	2.1x5.5x11

Features:

Wall-mount LED Driver with Exchangeable AC Plugs.

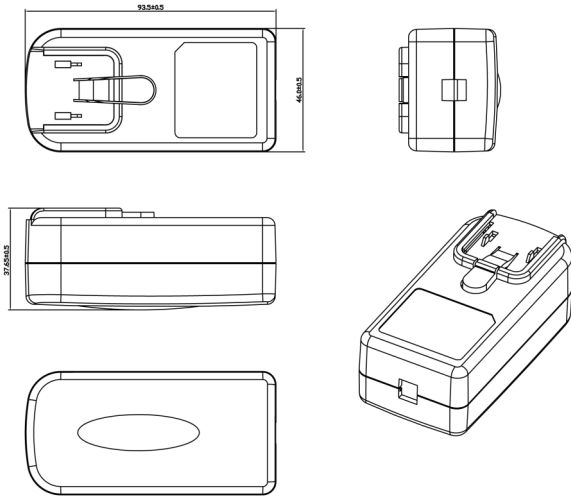
For LED applications use only

Customer can choose one or more certified plugs Wxx =W2E - Europe | W2 - USA,Canada | W3U - UK | W2A - Australia | W2C - China

Output connector: standard: 2.1 x 5.5 x 11mm or customer requirement.

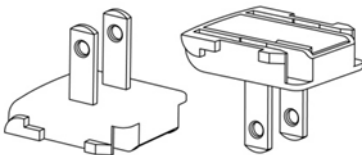
INPUT	Voltage	(90 ~ 264) VAC
	Frequency	(47 ~ 63) Hz
	Current	0.5A rms@ AC low line input and DC output full load
	Inrush Current (cold start)	60Amax. @ LED Driver cold start, ambient temperature 25°C @230Vac nominal AC input.
	Leakage current	0.25 mA max.
PROTECTION	Over Current	The LED Driver will self-protect any output to ground, And auto recovery when abnormal circuit faults remove.
	Over Voltage	The LED Driver will not be auto recovered when faults remove
	Short Circuit	Is defined as any output impedance of less than 0.1Ω. The LED Driver will be auto recovered when short circuit faults remove.
OTHERS	Efficiency (typical)	≥82.1% @ full load according upon spec
	Power factor	0.9 min At AC nominal input @ output full load
	Standby Power	0.3W rms max. At AC nominal input @ output min load
	Cooling	Free air convection
	M.T.B.F.	500,000 Calculated Hours at 25°C, by Telcordia SR-332
	HI-POT	IEC 320 2pin primary to secondary 3750Vac 10mA 1min
ENVIRONMENT	Temperature	Operating: (0 ~ 40)°C / Storage: (-20 ~ 85)°C
	Humidity	Operating: 8% ~ 90% RH non condensing / Storage: 5% ~ 95% RH non condensing
CONNECTION	Input	Plugs: EU, UK, US, AUS, China (exchangeable)
	Output	Plug standard center '+' or customer requirement // Cable length 1,8m
SAFETY	CE MM Mark F Mark CB FCC EN61347-2-13 UKCA	
CE	EMC	2014/30/EU
	LVD	2014/35/EU EN61347
WEIGHT	1pc	N.W.: 156 g/pc + plug
PACKING	Box	0.42 x 0.38 x 0.27 [m]
		63pcs / 1box – provide without plugs / plugs are separately
		G.W.: - kg/box

Mechanical case specification:

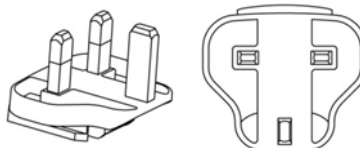


Mechanical specification (country housing):

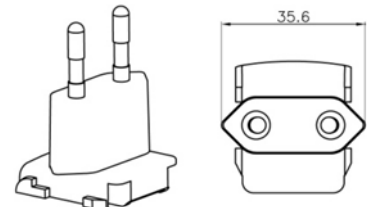
US / Japan type (W2)



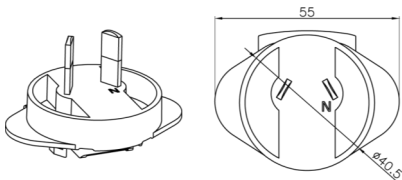
UK type (W3U)



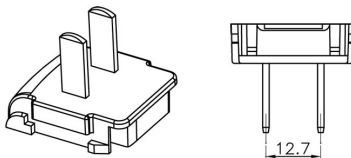
Europe type (W2E)



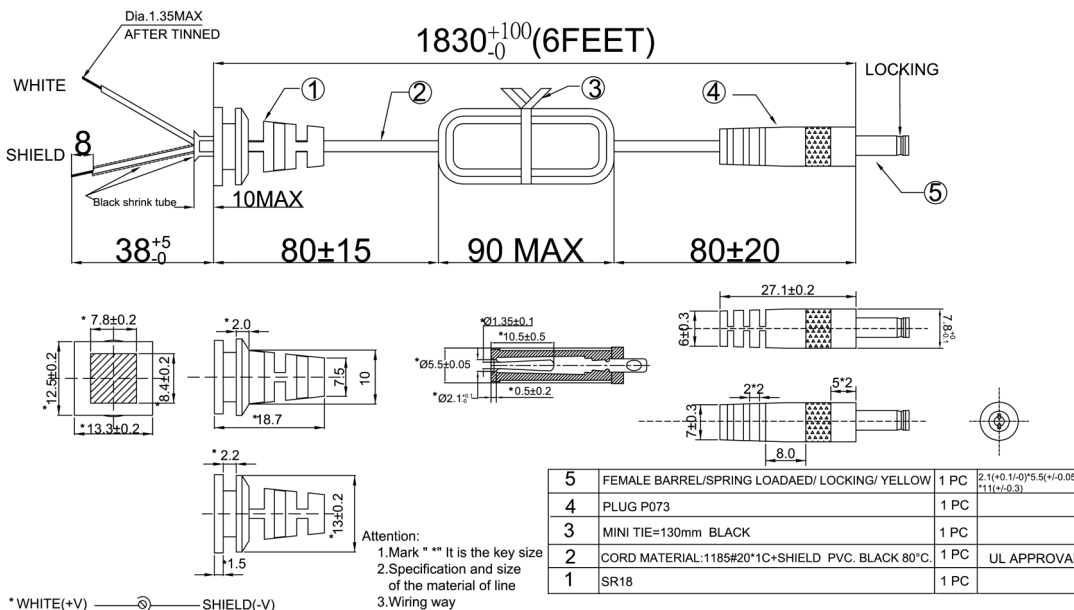
Australia type (W2A)



China type (W2C)



Cable specification:



Country of Origin : China
Car adapter : DC-DC convertor

RoHS



Truck 24 V

Car 12 V



Specification:

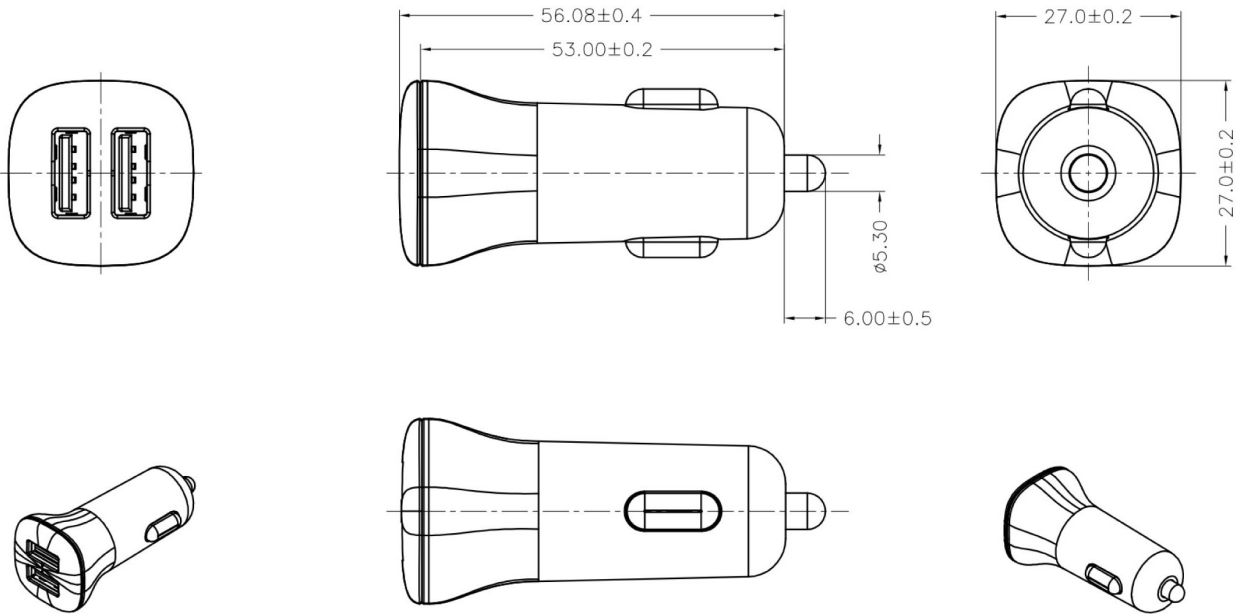
ErP V.	Model	Voltage DC [V]	min. Load [A]	max. Load [A]	Efficiency [%]	OCP [A]	Max. Power [W]	Ripple & Noise [mV]p-p max.	Connector [mm]
	RY-CC24U2 (Dual Car Charger 1205)	5.0	0	2.4	75	2.7-4.0	12	<200	USB inlet

Features:

Car adapter for notebook can be used in cars and trucks (12V or 24V cigarette plug).
Output current & output voltage protection.
Input range (10 ~ 30)VDC. Power ON – Green LED.
For I.T.E. use only + RoHS conform. | For iPhone / iPad and other
Depends on customer request if USB inlet or DC cable with DC UL approved connector

INPUT	Voltage	(10 ~ 30)VDC
	Input Current	1.8 A rms max At low line input and DC output full load
	Load regulation	±5%
	Power Efficiency	75% typical At nominal input@ output full load
	Input Fuse	T2AL/250V Fuse
OUTPUT	DC cable & connector	-
	Burn in test	2 Hours Full Load
	Turn on delay	1000ms max At low line input@output full load
	Power ON Led	Yes (Green – Power ON @ adapter)
PROTECTION	Input	Fuse 3.15A The power supply shall be protected against power line surges and any abnormal condition.
	Short Circuit	The power supply shall be protected from damage of accidentally when the I/P voltage is between 11Vdc and 32Vdc.the O/P short protection could be protected forever .input power do not Exceed 5W when output is shorted.
	Over Current	Removal of an output overload conditions shall permit automatic recovery of the output voltage.
	Over Voltage	Yes, Voltage limit, OVP range = 7.5V max
ENVIRONMENT	Cooling	By nature air.
	Temperature	Operating: (0 ~ 40)°C / Storage: (-20 ~ 85)°C
	Humidity	Operating: (8 ~ 90)% RH / Storage: (5 ~ 95)% RH
OTHERS	Case material	-
	M.T.B.F.	500,000 Calculated Hours at 25°C, by Telcordia SR-332
SAFETY	CE	
CE	EMC	2014/30/EU EN 50498
WEIGHT	1pc	N.W.: 18g / pc
		0.392 x 0.392 x 0.257[m]
PACKING	Box	500pcs / 1box
		G.W.: 11.1 kg / box

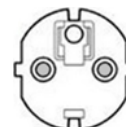
Mechanical case specification:



IEC320-C5 (EU)

Country of Origin: China
 RoHS: yes
 Application: For Class I. Appliances
 Approvals: CEBEC, KEMA, NF, OVE, VDE, IMQ, FI, S, D, N, ENEC, KC

Length/cord	1.8m / 3x0.75mm ²	
Plug	SP-022 16A/250V	
Connector	IS-034 2,5A/250V	
Rating	300/500V 70°C	
Flex cord	H05VV-F	
WEIGHT / PACKING	1pc	N.W.: 180 g / pc
	BOX	100 pcs / 1box
		G.W.: 18,4 kg / box
		0.55x0.36x0.20 [m]



IEC320-C5 (UK)

Country of Origin: China
 RoHS: yes
 Application: For Class I. Appliances
 Approvals: ASTA, ENEC

Length/cord	1.8m / 3x0.75mm ²	
Plug	SP-62 13A/250V	
Connector	IS-034 2,5A/250V	
Fuse	13A	
Rating	300/500V 70°C	
Flex cord	H05VV-F	
WEIGHT / PACKING	1pc	N.W.: 204 g / pc
	BOX	75 pcs / 1box
		G.W.: 15,8 kg / box
		0.55x0.36x0.20 [m]



IEC320-C5 (USA)

Country of Origin: China
 RoHS: yes
 Application: For Class I. Appliances
 Approvals: UL, CSA

Length/cord	1.8m / 3x0.75mm ²	
Plug	SP-305B 7A/125V	
Connector	IS-034 7A/125V	
Rating	300V 60°C	
Flex cord	SVT	
WEIGHT / PACKING	1pc	N.W.: 103 g / pc
	BOX	125 pcs / 1box
		G.W.: 18,9 kg / box
		0.55x0.36x0.20 [m]



IEC320-C5 (Aus)

Country of Origin China
 RoHS yes
 Application For Class II. Appliances
 Approvals SAA

Length/cord	1.8m / 3x0.75mm ²	
Plug	SP-502B 10A/250V	
Connector	IS-034 2,5A/250V	
Rating	300/500V 70°C	
Flex cord	H05VV-F	
WEIGHT / PACKING	1pc	N.W.: 183 g / pc
	BOX	90 pcs / 1box
		G.W.: 17,3 kg / box
		0.55x0.36x0.20 [m]



IEC320-C7 (EU)

Country of Origin: China
 RoHS: yes
 Application: For Class II. Appliances
 Approvals: ENEC

Length/cord	1.8m / 2x0.75mm ²	
Plug	SP-021A 2,5A/250V	
Connector	IS-033 2,5A/250V	
Rating	300/300V 70°C	
Flex cord	H03VVH2-F	
WEIGHT / PACKING	1pc	N.W.: 82 g / pc
	BOX	200 pcs / 1box
		G.W.: 17,3 kg / box
		0.55x0.36x0.20 [m]



Available also in white version

IEC320-C7 (UK)

Country of Origin: China
 RoHS: yes
 Application: For Class II. Appliances
 Approvals: ASTA, Singapore, ENEC

Length/cord	1.8m / 2x0.75mm ²	
Plug	SP-62 5A/250V	
Connector	IS-033 2,5A/250V	
Fuse	5A	
Rating	300/300V 70°C	
Flex cord	H03VVH2-F	
WEIGHT / PACKING	1pc	N.W.: 146 g / pc
	BOX	100 pcs / 1box
		G.W.: 14,6 kg / box
		0.55x0.36x0.20 [m]



IEC320-C7 (USA)

Country of Origin: China
 RoHS: yes
 Application: For Class II. Appliances
 Approvals: UL, CSA

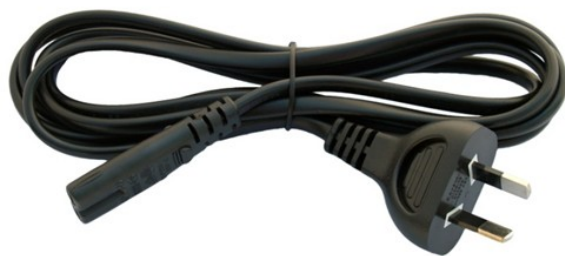
Length/cord	1.8m / 2x0.75mm ²	
Plug	SP-12N 7A/125V	
Connector	IS-033 7A/125V	
Rating	300V 105°C	
Flex cord	SPT-1	
WEIGHT / PACKING	1pc	N.W.: 71 g / pc
	BOX	200 pcs / 1box
		G.W.: 14,7 kg / box
		0.55x0.36x0.20 [m]



IEC320-C7 (Aus)

Country of Origin China
 RoHS yes
 Application For Class II. Appliances
 Approvals SAA

Length/cord		1.8m / 2x0.75mm ²
Plug		SP-501A 7,5A/250V
Connector		IS-033 2,5A/250V
Rating		300/300V 70°C
Flex cord		H03VVH2-F
WEIGHT / PACKING	1pc	N.W.: 92 g / pc
	BOX	125 pcs / 1box
		G.W.: 12,4 kg / box
		0.55x0.36x0.20 [m]



IEC320-C7 (Japan)

Country of Origin China
 RoHS yes
 Application For Class II. Appliances
 Approvals PSE

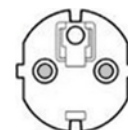
Length/cord		1.8m / 2x0.75mm ²
Plug		SP-18B 7A/125V
Connector		IS-033C 7A/125V
Rating		300V 60°C
Flex cord		VCTFK
WEIGHT / PACKING	1pc	N.W.: 104 g / pc
	BOX	150 pcs / 1box
		G.W.: 16,3 kg / box
		0.55x0.36x0.20 [m]



IEC320-C13 (EU)

Country of Origin: China
 RoHS: yes
 Application: For Class I. Appliances
 Approvals: CEBC, KEMA, NF, OVE, VDE, IMQ, FI, S, D, N, ENEC, KC

Length/cord		1.8m / 0.75mm ²
Plug		SP-022 16A/250V
Connector		IS-14 10A/250V
Rating		300/500V 70°C
Flex cord		H05VV-F
WEIGHT / PACKING	1pc	N.W.: 192 g / pc
	BOX	100 pcs / 1box
		G.W.: 18,9 kg / box
		0.55x0.36x0.20 [m]



IEC320-C13 (UK)

Country of Origin: China
 RoHS: yes
 Application: For Class I. Appliances
 Approvals: ASTA, Singapore, ENEC

Length/cord		1.8m / 0.75mm ²
Plug		SP-62 5A/250V
Connector		IS-14 10A/250V
Fuse		5A
Rating		300/500V 70°C
Flex cord		H05VV-F
WEIGHT / PACKING	1pc	N.W.: 202 g / pc
	BOX	75 pcs / 1box
		G.W.: 15,9 kg / box
		0.55x0.36x0.20 [m]



IEC320-C13 (USA)

Country of Origin: China
 RoHS: yes
 Application: For Class I. Appliances
 Approvals: UL, CSA

Length/cord		1.8m / 0.75mm ²
Plug		SP-305B 10A/125V
Connector		IS-14 10A/125V
Rating		300V 105°C
Flex cord		SVT
WEIGHT / PACKING	1pc	N.W.: 149 g / pc
	BOX	125 pcs / 1box
		G.W.: 20,2 kg / box
		0.55x0.36x0.20 [m]



IEC320-C13 (Aus)

Country of Origin	China
RoHS	yes
Application	For Class I. Appliances
Approvals	SAA

Length/cord		1.8m / 0.75mm ²
Plug		SP-502B 10A/250V
Connector		IS-14 10A/250V
Rating		250/440V 75°C
Flex cord		H05VV-F
WEIGHT / PACKING	1pc	N.W.: 197 g / pc
	BOX	90 pcs / 1box
		G.W.: 17,6 kg / box
		0.55x0.36x0.20 [m]


IEC320-C13 (Brazil)

Country of Origin	China
RoHS	yes
Application	For Class I. Appliances
Approvals	Inmetro, ENEC

Length/cord		1.8m / 0.75mm ²
Plug		SP027A 10A/250V
Connector		IS-14 10A/250V
Rating		300/500V 70°C
Flex cord		H05VV-F
WEIGHT / PACKING	1pc	N.W.: 158 g / pc
	BOX	120 pcs / 1box
		G.W.: 18,8 kg / box
		0.55x0.36x0.20 [m]


IEC320-C13 (Swiss)

Country of Origin	China
RoHS	yes
Application	For Class I. Appliances
Approvals	+S, ENEC

Length/cord		1.8m / 0.75mm ²
Plug		SP-027C 10A/250V
Connector		IS-14 10A/250V
Rating		300/500V 70°C
Flex cord		H05VV-F
WEIGHT / PACKING	1pc	N.W.: 169 g / pc
	BOX	100 pcs / 1box
		G.W.: 17,4 kg / box
		0.55x0.36x0.20 [m]



IEC320-C13 (China)

Country of Origin	China
RoHS	yes
Application	For Class I. Appliances
Approvals	CCC

Length/cord		1.8m / 3x1.0mm ²
Plug		SP-506A 10A/250V
Connector		IS-14 10A/250V
Rating		300/500V 70°C
Flex cord		RVV
WEIGHT / PACKING	1pc	N.W.: 182 g / pc
	BOX	100 pcs / 1box
		G.W.: 19,3 kg / box
		0.55x0.36x0.20 [m]


IEC320-C13 (Argentina)

Country of Origin	China
RoHS	yes
Application	For Class I. Appliances
Approvals	IRAM, ENEC

Length/cord		1.8m / 0.75mm ²
Plug		SP-852 10A/250V
Connector		IS-14 10A/250V
Rating		300/500V 70°C
Flex cord		H05VV-F
WEIGHT / PACKING	1pc	N.W.: 179 g / pc
	BOX	100 pcs / 1box
		G.W.: 18,6 kg / box
		0.55x0.36x0.20 [m]


IEC320-C13 (Italy)

Country of Origin	China
RoHS	yes
Application	For Class I. Appliances
Approvals	IMQ, D, CEBEC, S FI, N, IMQ, NF, OVE, KEMA, +S, VDE

Length/cord		1.8m / 0.75mm ²
Plug		SP-028 10A/250V
Connector		IS-14 10A/250V
Rating		300/500V 70°C
Flex cord		H05VV-F
WEIGHT / PACKING	1pc	N.W.: 158 g / pc
	BOX	100 pcs / 1box
		G.W.: 16,9 kg / box
		0.55x0.36x0.20 [m]



IEC320-C13 (Japan)

Country of Origin	China
RoHS	yes
Application	For Class I. Appliances
Approvals	PSE

Length/cord	1.8m / 3x0.75mm ²	
Plug	SP-18P 7A/125V	
Connector	IS-14 7A/125V	
Rating	300V 60°C	
Flex cord	VCTF	
WEIGHT / PACKING	1pc	N.W.: 166 g / pc
	BOX	100 pcs / 1box
		G.W.: 17,3 kg / box
		0.55x0.36x0.20 [m]



Power cable (USB-C to USB-C) rc 1.5m white/silver E-mark IC, 100W 20V 5A/480Mbps

Operating Temperature	0 ÷ 45[°C]
Length	1.5m
Maximum Load	100W
USB standard	USB2.0
Fast charge	PD/QC
Cable type	30AWG/4C&22AWG/2C / 22#(65/0.08TC+500D) *2C+30#(11/0.08TC+250D)*4C+AL PVC Middle quilt knitted with 24 spindles plus chanting yarn
Transmission speed	480Mbps
Weight	N.W.: 37g / pc
Packing bunch	Various [pcs] 10



Extension cable (USB-C to USB-C) rc 1.5m apple white

Operating Temperature	0 ÷ 45[°C]
Length	1.5 m
Maximum Load	60W
USB standard	USB2.0
Fast charge	PD/QC
Cable type	2464 20AWG/20+28AWG/3C White PVC UL OD 4.5mm
Transmission speed	480Mbps
Weight	N.W.: 57g / pc
Packing bunch	Various [pcs] 10



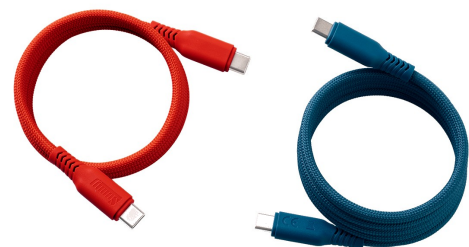
Extension cable (USB-C to USB-C) rc 1.5m black

Operating Temperature	0 ÷ 45[°C]
Length	1.5 m
Maximum Load	60W
USB standard	USB2.0
Fast charge	PD/QC
Cable type	2464 20AWG/20+28AWG/3C Black PVC UL OD 4.5mm
Transmission speed	480Mbps
Weight	N.W.: 57g / pc
Packing bunch	Various [pcs] 10



Magnetic power cable (USB-C to USB-C) rc 1.0m Orange or Blue

Operating Temperature	0 ÷ 45[°C]
Length	1.0 m
Maximum Load	100W
USB standard	USB2.0
Fast charge	PD/QC
Cable type	65/0. 10TS+500D*2C+16/0. 08TS+150D*3C OD:4.5MM Weaving yarn
Transmission speed	480Mbps//S-MAX Data transfer
Weight	N.W.: 51g / pc
Packing bunch	Various [pcs] 1



Extension cable (USB-A to USB-C) rc 1.0m or 1.5m black

Operating Temperature	0 ÷ 45[°C]
Length	1.5 m
Maximum Load	60W
USB standard	USB2.0
Fast charge	QC
Cable type	OD 4.5/50 2464 20AWG/2C+28ANG/30 Black/ IC inside
Transmission speed	480Mbps
Weight	N.W.: 48g / pc
Packing bunch	Various [pcs] 10

**Extension cable (USB-A to micro USB) rc 1.4m**

Operating Temperature	0 ÷ 45[°C]
Length	1.4m
Maximum Load	60W
USB standard	USB2.0
Fast charge	N/A
Cable type	20AWG – round cable
Transmission speed	480Mbps
Weight	N.W.: 36g / pc
Packing bunch	Various [pcs] 10

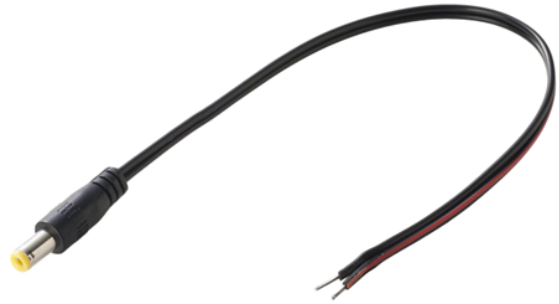
**Extension cable (USB-A to mini USB) rc 1.4m black or 1.8m white**

Operating Temperature	0 ÷ 45[°C]
Length	1,4m or 1,8m
Maximum Load	60W
USB standard	USB2.0
Fast charge	N/A
Cable type	20AWG – round cable
Transmission speed	480Mbps
Weight	N.W.: 37g / pc
Packing bunch	Various [pcs] 10



Extension cable Plug (2.1x5.5x11-S to S/T) 2wc 0.2m
Extension cable Plug (2.5x5.5x11-S to S/T) 2wc 0.2m

Country of Origin	China
Operating Temperature	0 ÷ 40[°C]
Cable type	20AWG - 2wc
DC Connector	2.1x5.5x11 with center springs 2.5x5.5x11 with center springs
Max. load	5A
Weight	N.W.: 6g / pc
Packing bunch	Various [pcs] 50

**Extension cable Plug (2.1x5.5x11 to S/T) 2wc 0.8m**
Extension cable Plug (2.5x5.5x11-S to S/T) 2wc 0.8m

Country of Origin	China
Operating Temperature	0 ÷ 40[°C]
Cable type	20AWG - 2wc
DC Connector	2.1x5.5x11 with center springs 2.5x5.5x11 with center springs
Max. load	5A
Weight	N.W.: 16g / pc
Packing bunch	Various [pcs] 20

**Extension cable Plug (2.1x5.5x11 to S/T) 2wc 1.5m**

Country of Origin	China
Operating Temperature	0 ÷ 40[°C]
Cable type	20AWG - 2wc
DC Connector	2.1x5.5x11 with center springs
Max. load	5A
Weight	N.W.: 27g / pc
Packing bunch	Various [pcs] 10

**Extension cable Plug (2.1x5.5x11-S to S/T) 2wc 2.0m**

Country of Origin	China
Operating Temperature	0 ÷ 40[°C]
Cable type	20AWG - 2wc
DC Connector	2.1x5.5x11 with center springs
Max. load	5A
Weight	N.W.: 50g / pc
Packing bunch	Various [pcs] 10



Extension cable Plug (2.1x5.5x11 to S/T) rc 3.0m

Country of Origin	China
Operating Temperature	0 ÷ 70[°C]
Cable type	20AWG - 3.9/2RC
DC Connector	2.1x5.5x11 with center springs
Max. load	5A
Weight	N.W.: 81g / pc
Packing bunch	Various [pcs] 5

**Extension cable Plug (2.1x5.5x11 to S/T) rc 4.0m**

Country of Origin	China
Operating Temperature	0 ÷ 40[°C]
Cable type	20AWG - 3.9/2RC
DC Connector	2.1x5.5x11 with center springs
Max. load	5A
Weight	N.W.: 105g / pc
Packing bunch	Various [pcs] 5

**Extension cable Plug and Plug (2.1x5.5x11) rc 0.5m**

Country of Origin	China
Operating Temperature	0 ÷ 70[°C]
Cable type	20AWG - RC
Maximum Load	5A max.
DC Connector types	Plug 2.1x5.5x11 with center springs
Weight	N.W.: 21g / pc
Packing bunch	Various [pcs] 150

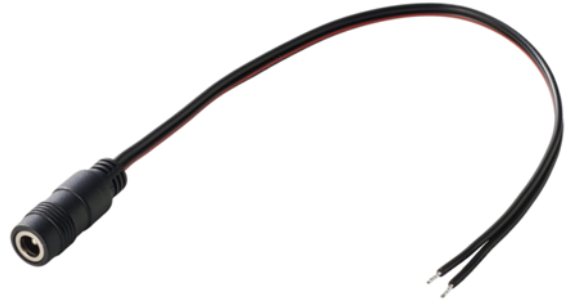
**Extension cable Plug and Plug (2.1x5.5x11) rc 1.0m**

Country of Origin	China
Operating Temperature	0 ÷ 70[°C]
Length / cable type	20AWG - RC
Maximum Load	5A max.
DC Connector types	Plug 2.1x5.5x11 with center springs
Weight	N.W.: 34g / pc
Packing bunch	Various [pcs] 20



Extension cable Jack (2.1x5.5x11-S to S/T) 2wc 0.2m
Extension cable Jack (2.5x5.5x11-S to S/T) 2wc 0.2m

Country of Origin	China
Operating Temperature	0 ÷ 40[°C]
Cable type	20AWG - 2wc
DC Connector	2.1x5.5x11 2.5x5.5x11
Max. load	5A
Weight	N.W.: 10g / pc
Packing bunch	Various [pcs] 50

**Extension cable Jack (2.1x5.5x11-S to S/T) 2wc 0.8m**

Country of Origin	China
Operating Temperature	0 ÷ 40[°C]
Cable type	20AWG - 2wc
DC Connector	2.1x5.5x11
Max. load	5A
Weight	N.W.: 19g / pc
Packing bunch	Various [pcs] 100

**Extension cable Jack (2.1x5.5x11-S to S/T) rc 2.0m**
Extension cable Jack (2.1x5.5x11-S to S/T) 2wc 2.0m

Country of Origin	China
Operating Temperature	0 ÷ 70[°C]
Cable type	20AWG - 2RC or 2wc
DC Connector	2.1x5.5x11
Max. load	5A
Weight	N.W.: 57/38g / pc
Packing bunch	Various [pcs] 60/100

**Extension cable Jack (2.1x5.5x11 to S/T) rc 4.0m**

Country of Origin	China
Operating Temperature	0 ÷ 70[°C]
Cable type	20AWG - 2RC
DC Connector	2.1x5.5x11
Max. load	5A
Weight	N.W.: 112g / pc
Packing bunch	Various [pcs] 5



Extension cable Jack and Plug (2.1x5.5x11-S) rc 1.5m

Country of Origin	China
Operating Temperature	0 ÷ 70[°C]
Cable type	20AWG - 2RC
Maximum Load	5A max.
DC Connector types	Plug 2.1x5.5x11 with center springs & Jack 2.1x5.5x11
Weight	N.W.: 49g / pc
Packing bunch	Various [pcs] 10

**Extension cable Jack and Plug (2.1x5.5x11-S) rc 4.0m**

Country of Origin	China
Operating Temperature	0 ÷ 70[°C]
Cable type	20AWG - 2RC
Maximum Load	5A max.
DC Connector types	Plug 2.1x5.5x11 with center springs & Jack 2.1x5.5x11
Weight	N.W.: 112g / pc
Packing bunch	Various [pcs] 5

**Extension cable Jack (2.1x5.5x11-S to S/T) rc 0.8m, switch**

Switch material	RoHS PC UL94V-2
Operating Temperature	0 ÷ 80[°C]
Length / cable type	0.8m / 20AWG - 2468
Max. load	5A
DC Connector	2.1x5.5x11
Weight	N.W.: 36g / pc
Packing plastic bag	Various [pcs] 80



Cable Splitter 1 Jack to 3 Plugs

Country of Origin	China
Applications	CCTV video extension cable, DC power splitter, and all CCTV accessories.
Cable type	20AWG VW-1 2464 round cable
DC Connector	(Jack 2.1x5.5x11 to 3 Plugs 2.1x5.5x11) 0.1m + 3x0.2m
Max. Load	5A
Weight	N.W.: 44g / pc
Packing plastic bag	100 pcs

**Cable Splitter 1 Jack to 5 Plugs**

Country of Origin	China
Applications	CCTV video extension cable, DC power splitter, and all CCTV accessories.
Cable type	20AWG VW-1 2464 round cable
DC Connector	(Jack 2.1x5.5x11 to 5 Plugs 2.1x5.5x11) 0.1m + 5x0.2m
Max. Load	5A
Weight	N.W.: 62g / pc
Packing plastic bag	90 pcs

**Cable Splitter CHAIN 5**

Country of Origin	China
Applications	CCTV video extension cable, DC power splitter, and all CCTV accessories.
Cable type	20AWG VW-1 2464 round cable
DC Connector	(Jack 2.1x5.5x11 to 5 Plugs 2.1x5.5x11) 5x0.18m
Max. Load	5A
Weight	N.W.: 54g / pc
Packing plastic bag	100 pcs



Max loading current for all reductions is 5.4A

Reduction 2.1x5.5 Jack to 1.1x2.3 Plug (S)

Center springs : No		
WEIGHT	1pc	N.W.: 4.0g / pc
PACKING	Plastic bag	100pcs
		G.W.: 0.400 kg



Reduction 2.1x5.5 Jack to 1.1x3.0 Plug (S)

Center springs : No		
WEIGHT	1pc	N.W.: 4.0g / pc
PACKING	Plastic bag	100pcs
		G.W.: 0.400 kg



Reduction 2.1x5.5 Jack to 1.1x3.5 Plug (S)

Center springs : No		
WEIGHT	1pc	N.W.: 4.0g / pc
PACKING	Plastic bag	100pcs
		G.W.: 0.400kg



Reduction 2.1x5.5 Jack to 1.3x3.5 Plug (S)

Center springs : No		
WEIGHT	1pc	N.W.: 4.9g / pc
PACKING	Plastic bag	100pcs
		G.W.: 0.488 kg



Reduction 2.1x5.5 Jack to 1.5x5.5 Plug (S)

Center springs : No		
WEIGHT	1pc	N.W.: 5.3g / pc
PACKING	Plastic bag	100pcs
		G.W.: 0.537 kg



Reduction 2.1x5.5 Jack to 1.7x4.0 Plug (S)

Center springs : Yes		
WEIGHT	1pc	N.W.: 4.9g / pc
PACKING	Plastic bag	100pcs
		G.W.: 0.493 kg



Reduction 2.1x5.5 Jack to 1.7x4.8Plug (S)

Center springs : Yes		
WEIGHT	1pc	N.W.: 5.2g / pc
PACKING	Plastic bag	100pcs
		G.W.: 0.516 kg



Reduction 2.1x5.5 Jack to 1.7x5.5 Plug (S)

Center springs : Yes		
WEIGHT	1pc	N.W.: 5.4g / pc
PACKING	Plastic bag	100pcs
		G.W.: 0.536 kg



Reduction 2.1x5.5 Jack to 2.1x5.5 Plug (L) 90°

Center springs : Yes		
WEIGHT	1pc	N.W.: 6.1g / pc
PACKING	Plastic bag	100pcs
		G.W.: 0.613 kg



Reduction 2.1x5.5 Jack to 2.5x5.5 Plug (S)

Center springs : Yes		
WEIGHT	1pc	N.W.: 6g / pc
PACKING	Plastic bag	100pcs
		G.W.: 0.601 kg



Reduction 2.1x5.5 Jack to 2.5x5.5 Plug (L)

Center springs : Yes		
WEIGHT	1pc	N.W.: 6.1g / pc
PACKING	Plastic bag	100pcs
		G.W.: 0.613 kg

