



SUNPOWER TECHNOLOGY CORP.  
 16F.-1, No.150, Jian 1st Rd., Zhonghe Dist., New Taipei City 235, Taiwan (R.O.C.)  
 TEL: 886-2-8226-3100 FAX: 886-2-8226-3111  
 http://www.sunpower.com.tw  
 E-mail: sunpower@sunpower.com.tw

# SDS-025A/B/Cxx Series

25W, Single Output

12V / 24V / 48V DC Input



79 x 50.8 x 28.5 mm  
 3.11 x 2.0 x 1.12 inch



## Features:

- \* Power ON with LED indicator
- \* Input and output isolation
- \* Non min. load requirement
- \* Over voltage, over load & short circuit protection
- \* Output voltage  $\pm 10\%$  adjustment
- \* 100% full load burn-in test
- \* Meet LVD standard
- \* 2 years warranty

## Specification:

INPUT	Model No.	SDS-025Axx Series		SDS-025Bxx Series		SDS-025Cxx Series	
	Voltage	9.5 ~ 18V DC (Typical 12V)		18 ~ 36V DC (Typical 24V)		36 ~ 72V DC (Typical 48V)	
	Current	<3.8A @ 9.5V DC		<2A @ 18V DC		<1A @ 36V DC	
	Protection	Fuse , 5A/250V		Fuse , 3.15A/250V		Fuse , 2A/250V	
OUTPUT	Voltage	5V	12V	24V	48V		
	Min Load	0A	0A	0A	0A		
	Max Load	5A	2.1A	1.1A	0.55A		
	Output Tolerance ②	$\pm 2\%$	$\pm 1\%$	$\pm 1\%$	$\pm 1\%$		
	Ripple Noise MAX. ③	70mV	120mV	200mV	250mV		
	Efficiency (TYP.)	SDS-025A	74%	77%	82%	83%	
		SDS-025B	76%	80%	82%	83%	
SDS-025C		77%	81%	83%	84%		
Output MAX.	25W	25W	26W	26W			
PROTECTION	Over Voltage	5.6~7.0V	13.8~16.8V	27.6~33.6V	55.2~67.2V		
	Over Load & ShortCircuit	Shutdown and latch off, recover after re-start up.					
ELEC. CHAR.	Rise time	<20mS					
ENVIRONMENT	Temperature ④	Operating: -10 ~ +70°C ; De-rating: 50 ~ 70°C : 2.5%/°C ; Storage: -20 ~ +85°C					
	Humidity	Operating: 20% ~ 90% RH (non condensing); Storage: 10% ~ 95% RH (non condensing)					
SAFETY	Withstand voltage	I/P-O/P:2.0KVAC, I/P-FG:1.5KVAC, 1minute					
	Isolation resistance	I/P-O/P, I/P-FG, > 100MΩ/500VDC at 25°C / 70% RH					
EMC	EMI	EN 55032 CLASS B · FCC CFR 47 PART 15 CLASS B · CNS 13438 CLASS B.					
	EMS	EN 55024 : EN 61000-4-2,3,4,6,8 ; ENV 50204					
OTHERS	Cooling	Natural Cooling.					
	M.T.B.F.	422.3K hours					
	Packing	N.W.: Kg / 1pc; pcs / CUFT / 1 CTN					

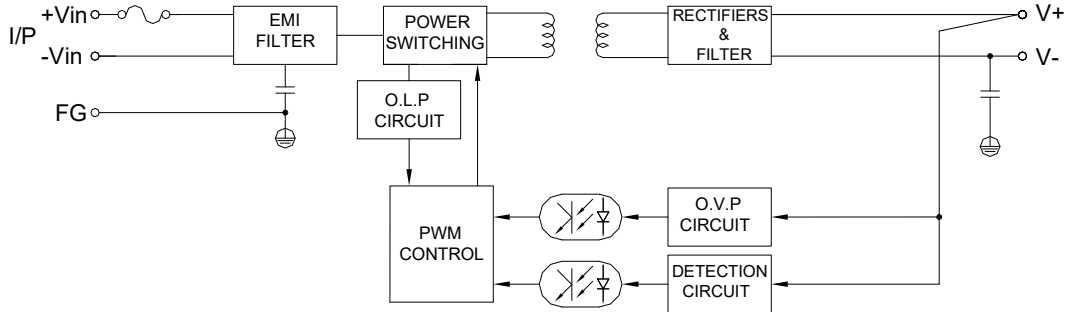
- NOTE
- ① All measurements which not mentioned are based on 12V/24V/48VDC input, **output Max** at ambient 25°C / 70%RH
  - ② Output tolerance included set up voltage, line regulation and load regulation.
  - ③ Ripple & noise are measured at 11~18V/21~36V/42~72VDC input with 10~50°C condition and 20MHz of bandwidth by terminated using a 10" ~ 15" twisted pair-wire with a 0.1uF & a 47uF parallel capacitor.
  - ④ The operating temperature shall follow the de-rating curve in spec
  - ⑤ The power supply is considered a component of end-equipment. The end-equipment must be re-confirmed whether comply with EMC directives.



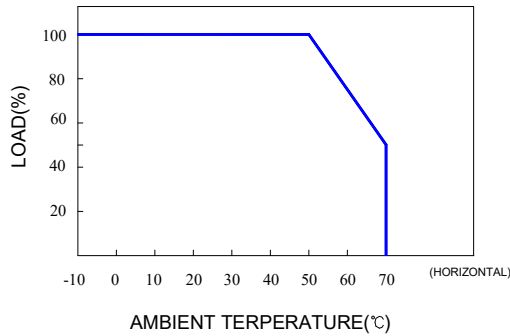
**SUNPOWER TECHNOLOGY CORP.**  
 16F.-1, No.150, Jian 1st Rd., Zhonghe Dist., New Taipei City 235, Taiwan (R.O.C.)  
 TEL: 886-2-8226-3100 FAX: 886-2-8226-3111  
 http://www.sunpower.com.tw  
 E-mail: sunpower@sunpower.com.tw

# SDS-025A/B/Cxx Series

## Block Diagram : DS19

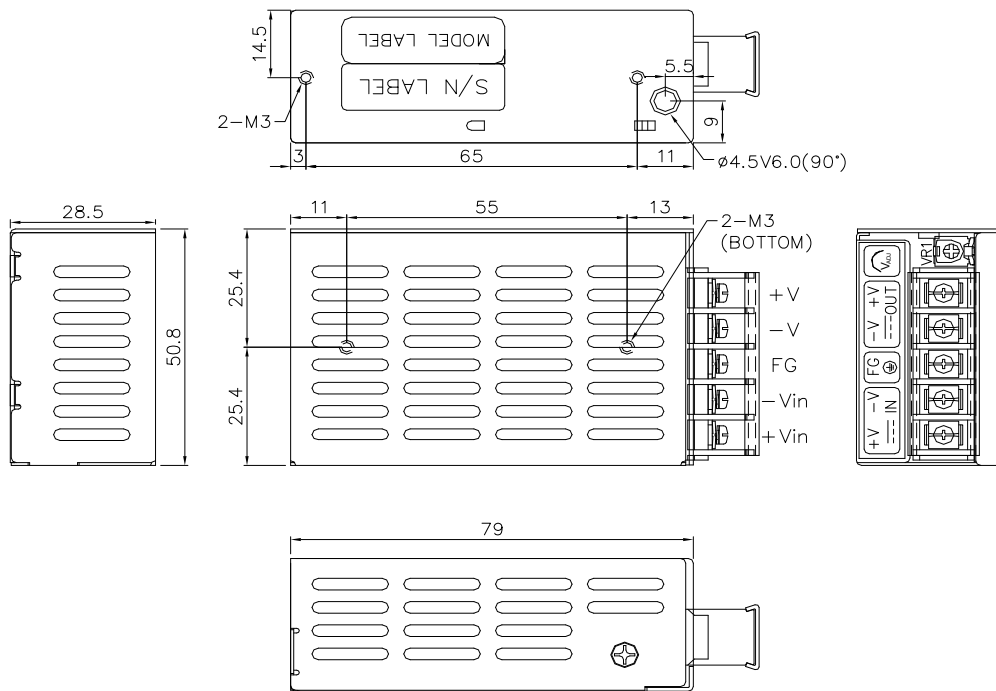


## De-rating Curve :



## Dimension:

(Unit: mm)



### NOTES:

TERMINAL BLOCK: 5P, PITCH 7.62mm with pc cover

MODEL No.	1	2	3	4	5
SDS-025A/B/Cxx	+Vin	-Vin	FG	-V	+V