



SUNPOWER TECHNOLOGY CORP.
 16F-1, No.150, Jian Yi Rd., Chung Ho City, Taipei Hsien, Taiwan, R.O.C.
 TEL: 886-2-8226-3100 FAX: 886-2-8226-3111
 http://www.sunpower.com.tw
 E-mail: sunpower@sunpower.com.tw

SPS-060 –D3 / D4

SPS-060P-D3 / D4

60W, Dual Output
 P.F.C Function Optional



159 x 95 x 38 mm
 6.26 x 3.74 x 1.50 inch

Features:

- * High reliability and high efficiency
- * Power ON with LED indicator
- * Built-in EMI filter, low ripple noise
- * Over voltage protection
- * Over load & short circuit protection
- * 100% full load burn-in test
- * -20°C to 70°C operating temperature
- * According to the LVD Directive 2014/35/EU
- * 3 years warranty

Specification:

INPUT	Voltage	85V ~ 264VAC universal full range or 120V ~ 375VDC.			
	Frequency	47 ---- 63 Hz			
	Current	<1.8A @100V AC input, full load condition			
	Inrush Current	<30A@115V , <60A@230V AC input. Cold start at 25°C ambient			
	Leakage Current	<1.0mA@264V AC input			
OUTPUT	MODEL No.	SPS-060 –D3 SPS-060P-D3		SPS-060 –D4 SPS-060P-D4	
	Output	V1	V2	V1	V2
	Voltage	12V	-12V	15V	-15V
	Min Load	0.3A	0A	0.3A	0A
	Max Load	3.43A	3.43A	2.75A	2.75A
	Output Tolerance ②	± 2%	± 5%	± 2%	± 5%
	Ripple Noise MAX. ③	120mV	120mV	150mV	150mV
	Efficiency (TYP.)	79%			
PROTECTION	Output MAX.	60W		60W	
	Over Voltage	13.8~16.8V	--	17.3~21.0V	--
	Over Load & Short Circuit	Shutdown and latch off, recover after re-start up.			
ELEC. CHAR.	Rise time	<20mS			
	Hold up time	>60mS@230V, full load condition			
	Setup time	<1 Sec@100 ~ 240V AC			
ENVIRONMENT	Temperature ④	Operating: -20 ~ +70°C ; De-rating: 45 ~ 70°C: 2.5%/°C ; Storage: -40 ~ +85°C			
	Humidity	Operating: 20% ~ 90% RH (non condensing); Storage: 10% ~ 95% RH (non condensing)			
SAFETY	Withstand voltage	I/P-O/P:3KVAC, I/P-FG:1.8KVAC, O/P-FG:0.5KVDC, 1minute			
	Isolation resistance	I/P-O/P, I/P-FG, O/P-FG > 100MΩ/500VDC at 25°C/ 70% RH			
	Safety standard	IEC 62368-1:2014 (Second Edition) and/or EN 62368-1:2014+A11:2017 standard			
EMC	EMI	EN 55032 CLASS B、FCC CFR 47 PART 15 CLASS B、CNS 13438 CLASS B. Compliance to EN61000-3-2 CLASS A, EN61000-3-3, SPS-060P-Dx models are built-in PFC choke to lower 25% THD (Total Harmonic Distortion) performance,			
	EMS	EN 55024 : EN 61000-4-2,3,4,5,6,8,11			
	Cooling	Natural cooling.			
OTHERS	M.T.B.F.	260K hours at 25°C			
	Terminal pitch	9P / 7.62mm with plastic cover, 90 deg terminal optional (with MOQ)			
	Packing	N.W.:0.58Kg / 1pc; 30pcs / 1.2 CUFT / 1 CTN			
NOTE	① All measurements which not mentioned are based on 230VAC input, output Max at ambient 25°C / 70%RH ② Output tolerance included set up voltage, line regulation and load regulation. The regulation is measured between 20%-80% max load of each output, Total output t must under output Max . ③ Ripple & noise are measured at 100~254VAC input with 10~50°C condition and 20MHz of bandwidth by using a 10" ~ 15" twisted pair-wire terminated with a 0.1uF & a 47uF parallel capacitor. ④ The operating temperature shall follow the de-rating curve in spec The output load may be requested for decreasing as de-rating curve in spec when low input voltage is under 100VAC.. ⑤ The power supply is considered a component of end-equipment. The end-equipment must be re-confirmed whether comply with EMC directives.				

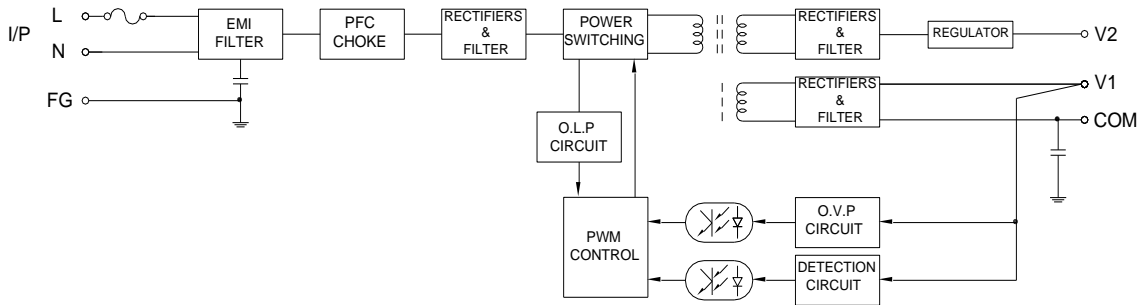


SUNPOWER TECHNOLOGY CORP.
 16F-1, No.150, Jian Yi Rd., Chung Ho City, Taipei Hsien, Taiwan, R.O.C.
 TEL: 886-2-8226-3100 FAX: 886-2-8226-3111
 http://www.sunpower.com.tw
 E-mail: sunpower@sunpower.com.tw

SPS-060 -D3 / D4

SPS-060P-D3 / D4

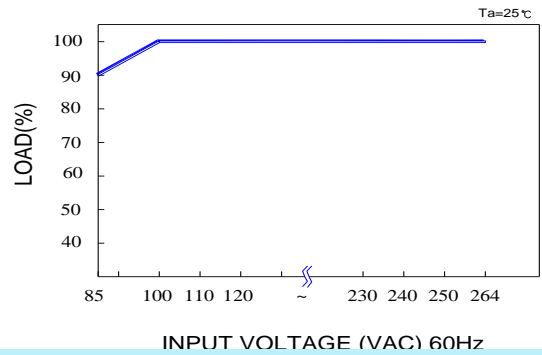
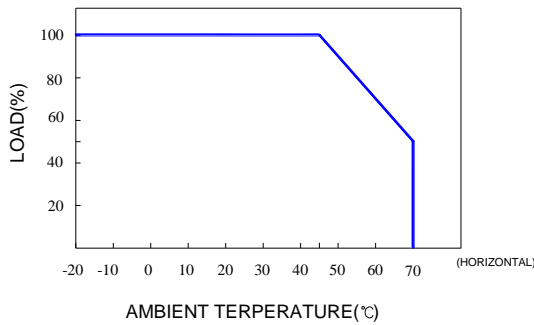
Block Diagram : UD7-1



SPS-060 -Dx series without PFC choke

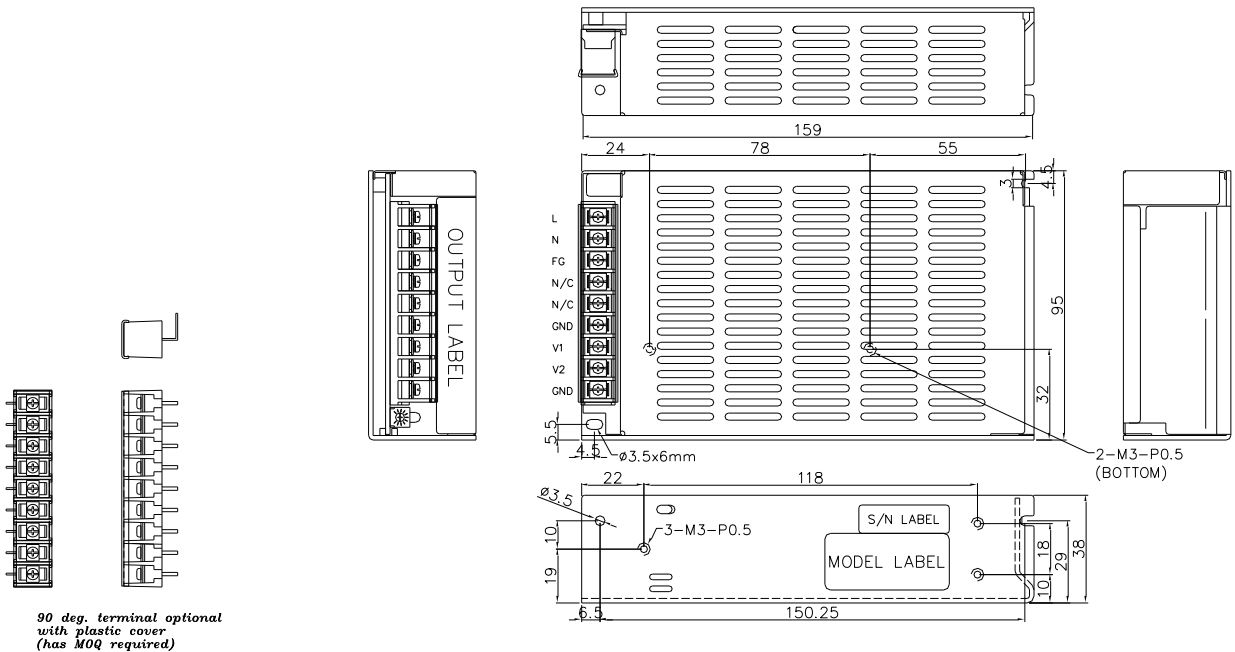
De-rating Curve :

Output De-rating Vs Input Voltage :



Dimension:

(Unit: mm)



90 deg. terminal optional with plastic cover (has MOQ required)

NOTES:

TERMINAL BLOCK: 9P, PITCH 7.62mm WITH PLASTIC COVER.

MODEL No.	1	2	3	4	5	6	7	8	9
SPS-060 -D3/D4	L	N	FG	NC	NC	GND	V1	V2	GND
SPS-060P-D3/D4	L	N	FG	NC	NC	GND	V1	V2	GND