

## User Guide For CT Series

### 1. Features

- Support COTEK Programmable Series power supply (Excluding AK Series)
- Support max. 8 unit serial or parallel control function
- Support RS232/485 protocol
- Easy installation for serial or parallel control.

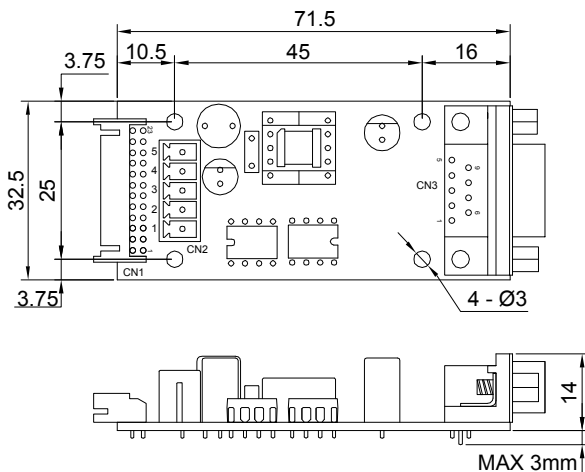
### 2. Specification

- Input Voltage : 5Vdc
- Operating Temperature Range: -10°C ~ 60°C
- Storage Temperature Range: - 30°C ~ 70°C
- Baud rate: 4800,N,8,1
- Connector: DB-9F fo RS232, RJ-11(6P6C) for RS485
- Optical Isolation : I/P - O/P: 2500Vac rms for 1 minute

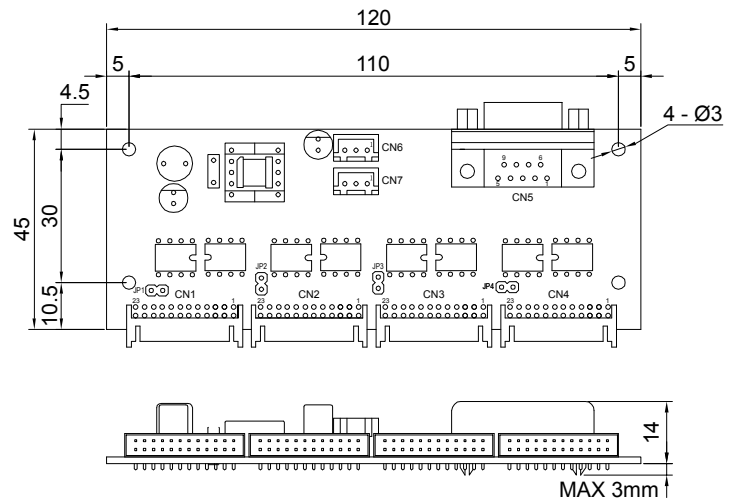
### 3. Mechanical dimension

Unit: mm

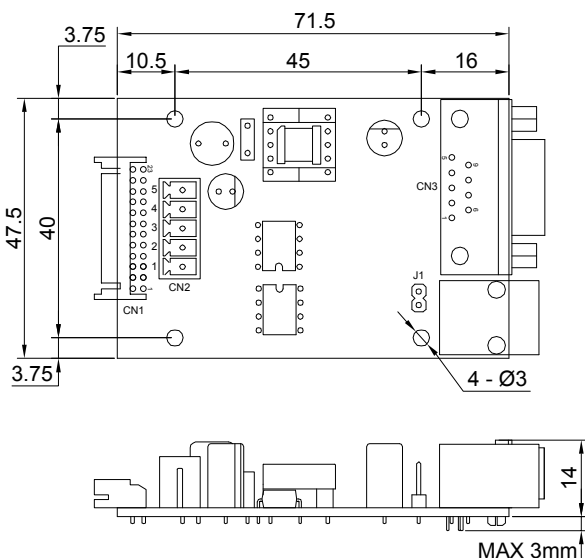
MODEL: CT-201



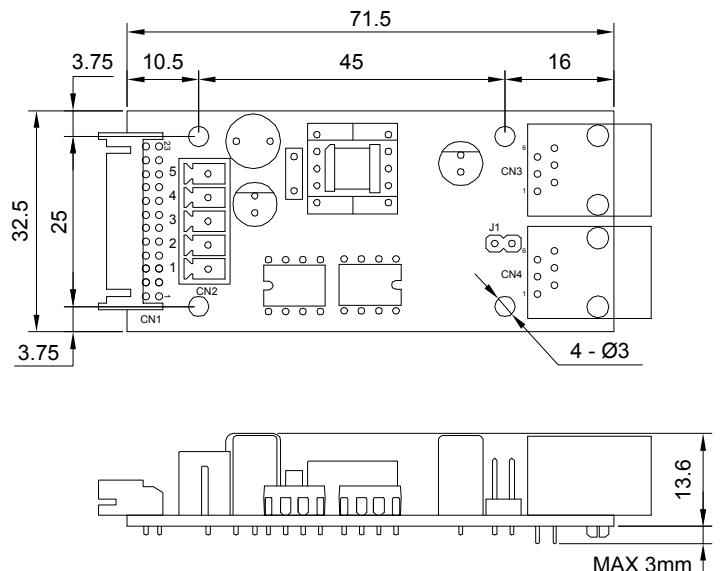
MODEL: CT-204



MODEL: CT-251

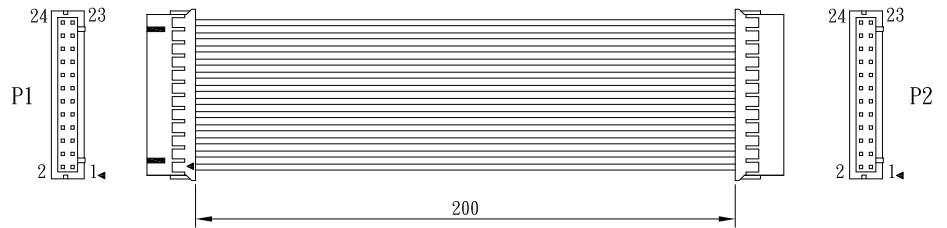


MODEL: CT-551



## 4. CT series cable drawing (COTEK Part no. 47-0124-0001)

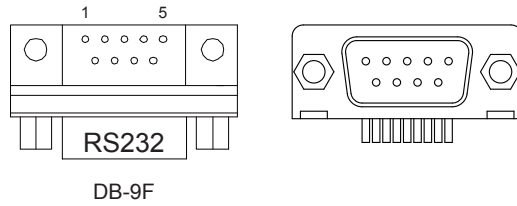
Mating Housing / Contact	
JST PHDR-24VS or equivalent	JST SPHD-002T-P0.5 or equivalent



## 5. Pin assignment

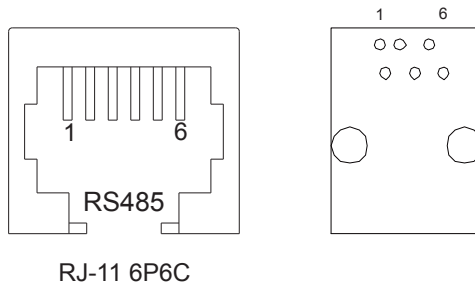
- DB-9F RS232 (only for CT-201/204/251)

1	NC
2	RxD
3	TxD
4	NC
5	GND
6	NC
7	NC
8	NC
9	NC



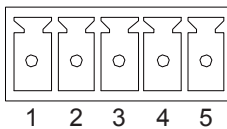
- RJ-11 6P6C RS485 (only for CT-251/551)

1	NC
2	GND
3	DATA +
4	DATA -
5	+5V
6	NC



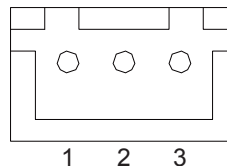
- ECH350V-05P DINKLE (only for CT-201/251/551)

1	GND
2	AUX
3	PAR
4	VS -
5	VS +



- B-XH-A 180°C (only for CT-204)

1	GND
2	RxD
3	TxD



- Control Pin connections: JST S24B-PHDSS or equivalent

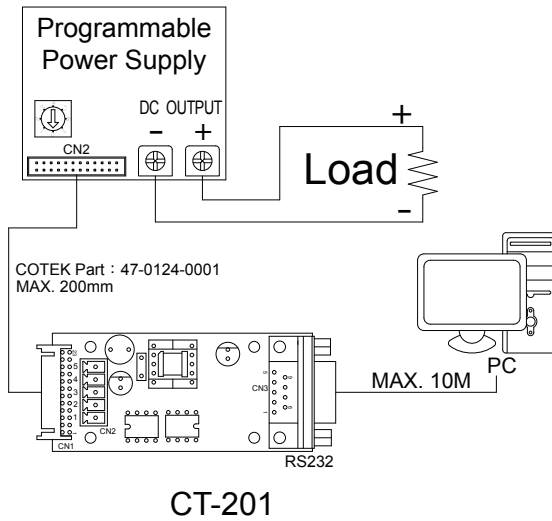
Pin No.	Assignment	Pin No.	Assignment	Pin No.	Assignment	Pin No.	Assignment	Pin No.	Assignment
1	NC.	6	SDA	11	ACI	16	GND	21	VS-
2	NC.	7	AUX	12	GND	17	PAR	22	VO-
3	AUX	8	GND	13	EN+	18	VSET	23	VS+
4	GND	9	VCI	14	AUX	19	POK	24	VO+
5	SCL	10	GND	15	EN-	20	GND		

## 6. CT Series Quick Feature Guide

	PAR / RMO	To Host	Power Connection	RS485 Expansion	RS232 Expansion
CT-201	✓	RS-232(DB-9F)	1 Unit	X	X
CT-204	X	RS-232(DB-9F)	4 Unit	X	✓
CT-251	✓	RS-232(DB-9F)	1 Unit	✓	X
CT-551	✓	---	1 Unit	✓	X

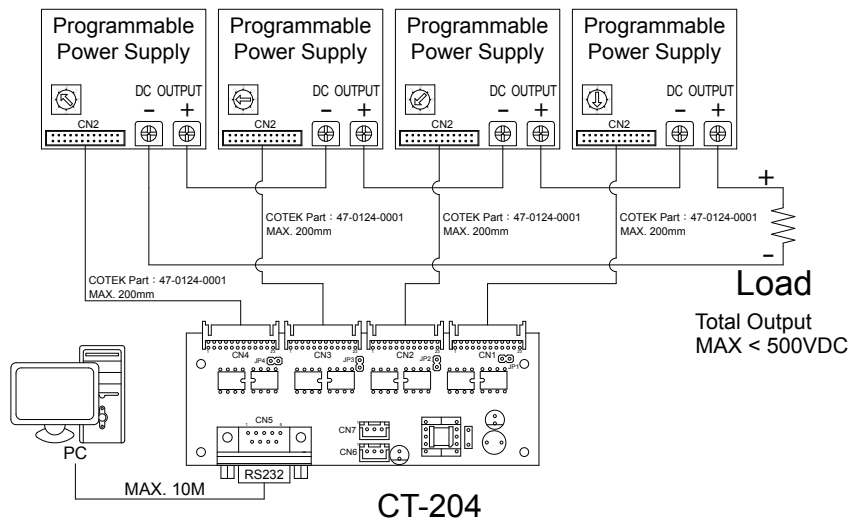
## 7. Application Notes

MODEL: CT-201



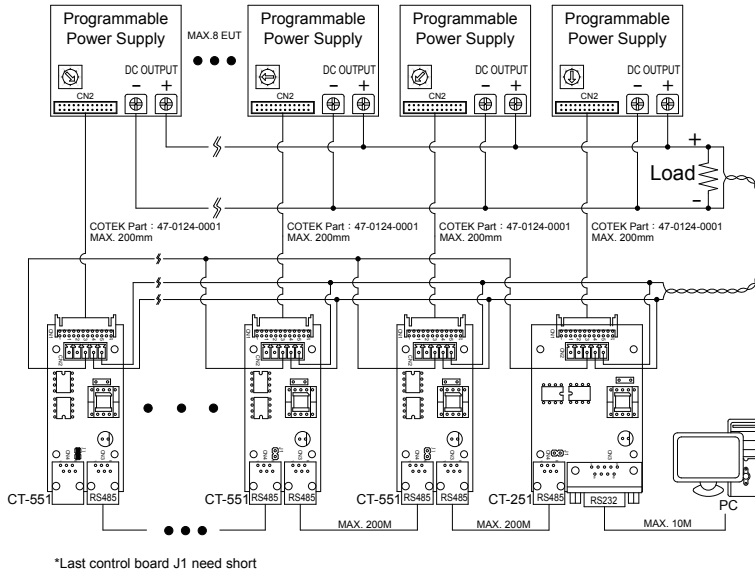
CT-201

MODEL: CT-204

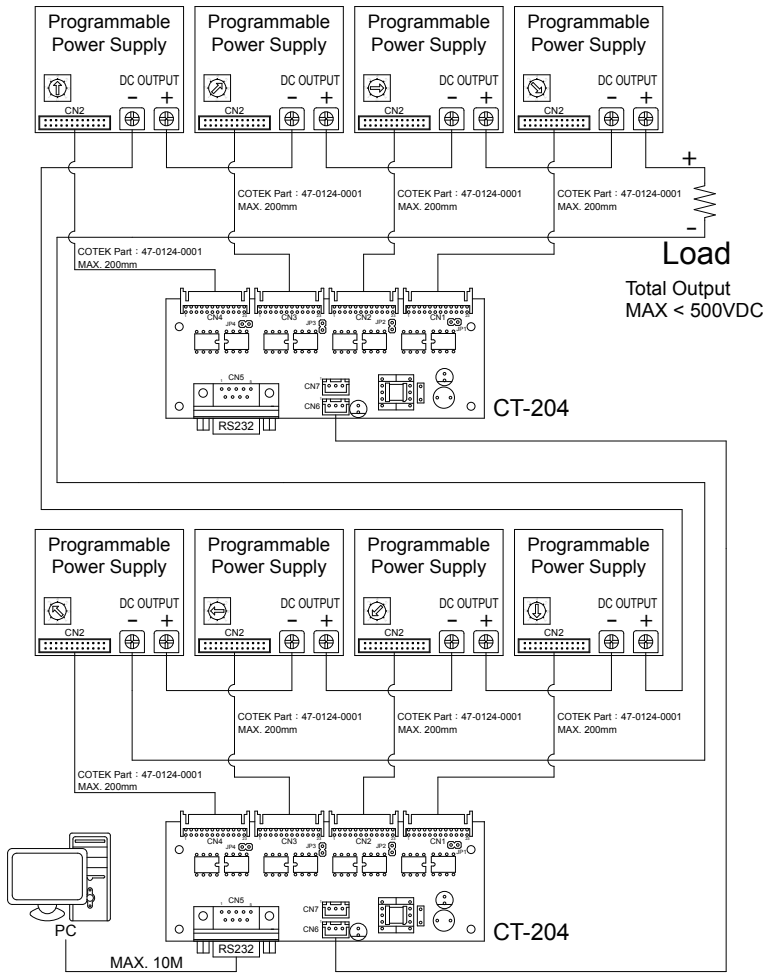


CT-204

## MODEL: CT-251 / 551 Parallel Control with Remote Sensing



## MODEL: CT-204 Series Control



No. 33, Rong Hsin Rd., Pa Teh City, Tao Yuan County, Taiwan

Phone : 886-3-3661581 FAX : 886-3-3676029

[http : // www.cotek.com.tw](http://www.cotek.com.tw)

2013.03 A0