



SUNPOWER TECHNOLOGY CORP.
 16F.-1, No.150, Jian 1st Rd., Zhonghe Dist., New Taipei City 235, Taiwan (R.O.C.).
 TEL: 886-2-8226-3100 FAX: 886-2-8226-3111
 http://www.sunpower.com.tw
 E-mail: sunpower@sunpower.com.tw

SPS-G075-Qx Series

Quad Output



129 x 95 x 38 mm
 5.08 x 3.74 x 1.50 inch

Features:

- * Power ON with LED indicator
- * Built in EMI filter, low ripple noise
- * Over voltage protection : Shutdown and latch off
- * Over load & short circuit protection : Hiccup mode
- * 100% full load burn-in test
- * -20°C~70°C Operating temperature
- * UL, cUL, TUV, CB, CE approved
- * 3 years warranty

Specification:

| | | | | | | | | | | | | | |
|--------------------|--------------------------------------|--|-------|-------|-------|--------------------|-------|-------|-------|--------------------|-------|-------|-------|
| INPUT | Voltage | 88V ~ 264VAC universal full range or 125V ~ 375VDC. | | | | | | | | | | | |
| | Frequency | 47 ----- 63 Hz | | | | | | | | | | | |
| | Current | <1.8A@100V AC input, full load condition | | | | | | | | | | | |
| | Inrush Current (TYP.) | 30A@115V , 50A@230V AC input, Cold start at 25°C ambient | | | | | | | | | | | |
| | Leakage Current | <0.75mA@264V AC input | | | | | | | | | | | |
| OUTPUT | MODEL No. | SPS-G075-Q1 | | | | SPS-G075-Q3 | | | | SPS-G075-Q4 | | | |
| | Output | V1 | V2 | V3 | V4 | V1 | V2 | V3 | V4 | V1 | V2 | V3 | V4 |
| | Voltage | 5V | 12V | -5V | -12V | 5V | 12V | 24V | -12V | 5V | 15V | 24V | -15V |
| | Min Load | 0.5A | 0.2A | 0A | 0A | 0.5A | 0.2A | 0.1A | 0A | 0.5A | 0.2A | 0.1A | 0A |
| | Max Load | 8A | 3A | 1A | 1A | 8A | 3A | 1.5A | 1A | 8A | 3A | 1.5A | 1A |
| | Output Tolerance ② | ±3% | ± 7% | ±5% | ±5% | ±3% | ± 7% | ±7% | ±5% | ±3% | ± 7% | ±7% | ±5% |
| | Ripple Noise MAX. ③ | 70mV | 120mV | 100mV | 100mV | 70mV | 120mV | 200mV | 100mV | 70mV | 150mV | 200mV | 100mV |
| | Efficiency (TYP.) | 76% | | | | 78% | | | | 78% | | | |
| Output MAX. | 65W | | | | 68W | | | | 68W | | | | |
| PROTECTION | Over Voltage | V1 : 5.8 ~ 7.0V ; Shutdown and latch off, recover after re-start up. | | | | | | | | | | | |
| | Over Load & Short Circuit | When power supply over 105%~ 150% max load or short circuit acted, power supply will go into hiccup mode and recover automatically after the fault is removed. | | | | | | | | | | | |
| ELEC. CHAR. | Rise time | <30mS | | | | | | | | | | | |
| | Hold up time | >60mS@230V, full load condition | | | | | | | | | | | |
| | Setup time | <1 Sec@100 ~ 240V AC | | | | | | | | | | | |
| ENVIRONMENT | Temperature ④ | Operating: -20 ~ +70°C ; De-rating: 45 ~ 70°C : 2.5%/°C ; Storage: -40 ~ +85°C | | | | | | | | | | | |
| | Humidity | Operating: 20% ~ 90% RH (non condensing) ; Storage: 10% ~ 95% RH (non condensing) | | | | | | | | | | | |
| | Altitude | 6562 ft (≅ 2000 m) operating | | | | | | | | | | | |
| SAFETY | Withstand voltage | I/P-O/P:3KVAC, I/P-PE:1.5KVAC, O/P-PE:0.5KVAC, 1minute | | | | | | | | | | | |
| | Isolation resistance | I/P-O/P, I/P-PE, O/P-PE > 100MΩ/500VDC at 25°C / 70% RH | | | | | | | | | | | |
| | Safety standard | UL 60950-1 2 nd , CSA C22.2 No. 60950-1-07 2 nd , TUV EN 60950-1:2006+A11+A12+A2, IEC 60950-1:2005+A1+A2, approved | | | | | | | | | | | |
| EMC | EMI | EN 55032 CLASS B, FCC CFR 47 PART 15 CLASS B, CNS 13438 CLASS B. Compliance to EN61000-3-2 CLASS A, EN61000-3-3 | | | | | | | | | | | |
| | EMS | EN 55024 : EN 61000-4-2,3,4,5,6,8,11 | | | | | | | | | | | |
| OTHERS | Cooling | Natural cooling. | | | | | | | | | | | |
| | M.T.B.F. | 240K hours | | | | | | | | | | | |
| | Terminal pitch | 8P / 8.25mm with plastic cover, 90 deg terminal optional (with MOQ) | | | | | | | | | | | |
| | Packing | N.W.: 0.47Kg / pc ; 30pcs / 1.20 CUFT / 1 CTN | | | | | | | | | | | |

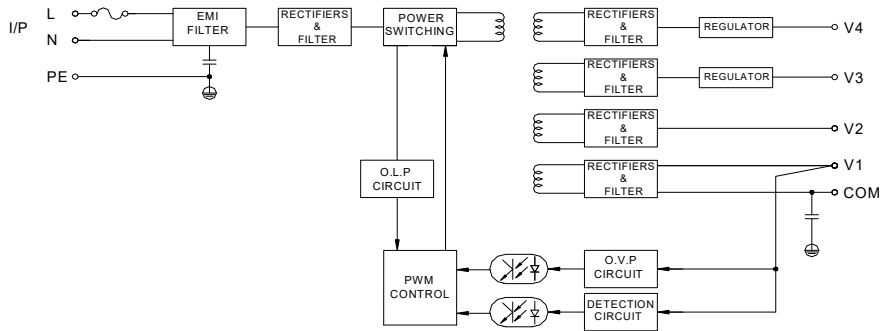
- NOTE
- ① All measurements which not mentioned are based on 230VAC input, **output Max** at ambient 25°C / 70%RH
 - ② Output tolerance included set up voltage, line regulation and load regulation.
The regulation is measured at the condition : when any of output is with 20% ~ 100% **max load** and the rest of each outputs are with 60% **max load**, Each output could work within **max load** but must under total **output max**.
 - ③ Ripple & noise are measured at 100~254VAC input with 10~50°C condition and 20MHz of bandwidth by using a 10" ~15" twisted pair-wire terminated with a 0.1uF & a 47uF parallel capacitor.
 - ④ The operating temperature shall follow the de-rating curve in spec
The output load may be requested for decreasing as de-rating curve in spec when low input voltage is under 100VAC.
 - ⑤ The power supply is considered a component of end-equipment. The end-equipment must be re-confirmed whether comply with EMC directives.



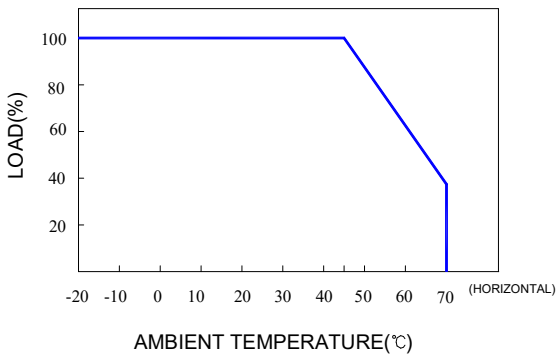
SUNPOWER TECHNOLOGY CORP.
 16F.-1, No.150, Jian 1st Rd., Zhonghe Dist., New Taipei City 235, Taiwan (R.O.C.)
 TEL: 886-2-8226-3100 FAX: 886-2-8226-3111
 http://www.sunpower.com.tw
 E-mail: sunpower@sunpower.com.tw

SPS-G075-Qx Series

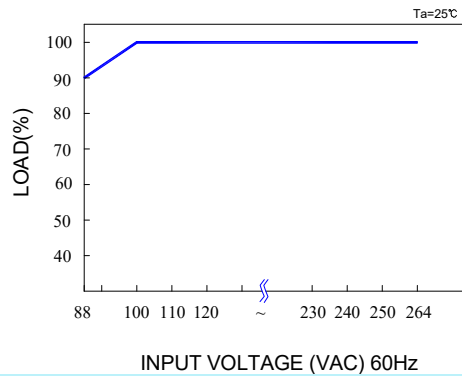
Block Diagram : UQ4



De-rating Curve :

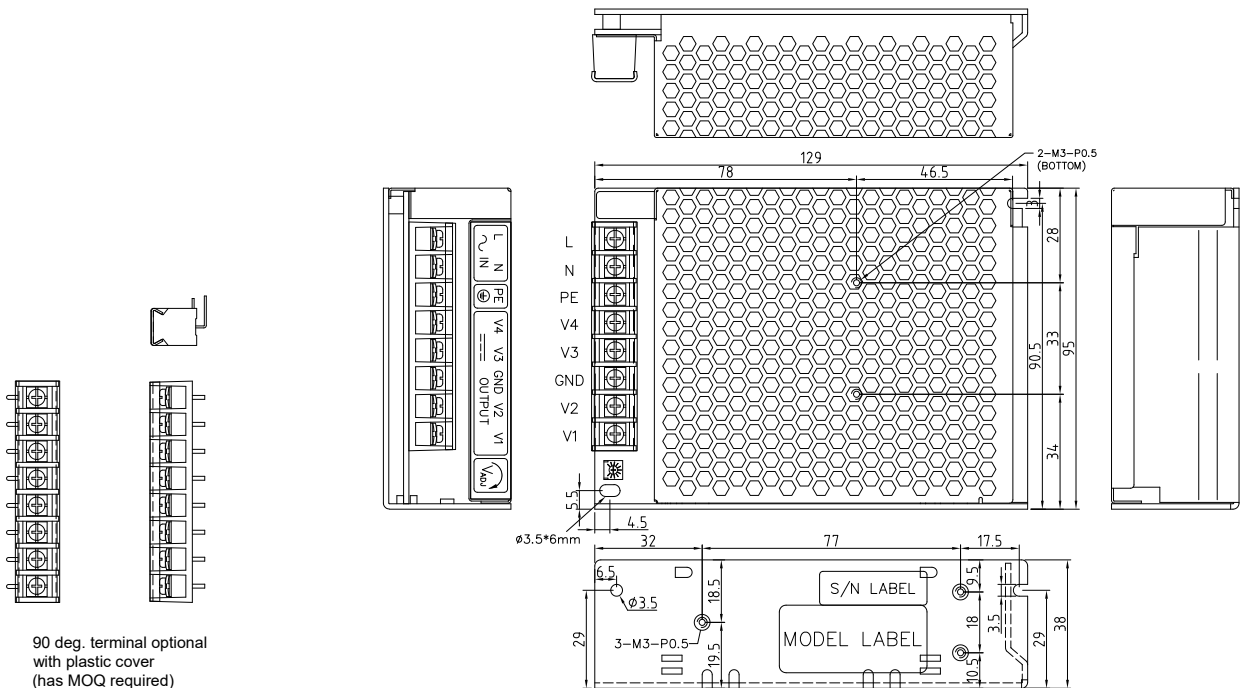


Output De-rating Vs Input Voltage :



Dimension:

(Unit: mm)



90 deg. terminal optional with plastic cover (has MOQ required)

Terminal Pin. No Assignment :

| 8P, PITCH 8.25mm WITH PC COVER | | | | | | | | |
|--------------------------------|---|---|----|----|----|-----|----|----|
| MODEL No. | 1 | 2 | 3 | 4 | 5 | 6 | 7 | 8 |
| SPS-G075-Qx | L | N | PE | V4 | V3 | GND | V2 | V1 |