

Features

- Compliance to Lighting and LED Equipment Regulations
- IP67 for indoor and outdoor installation
- MM Marking for Furniture Installation
- Suitable for LED Lighting and Street Lighting
- 1 Year Warranty

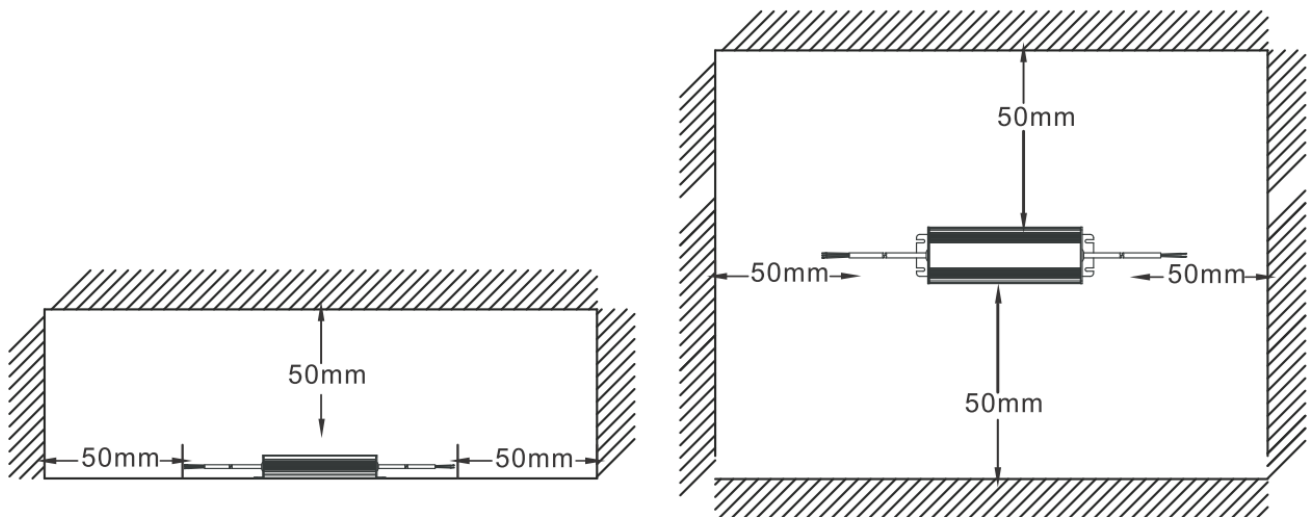
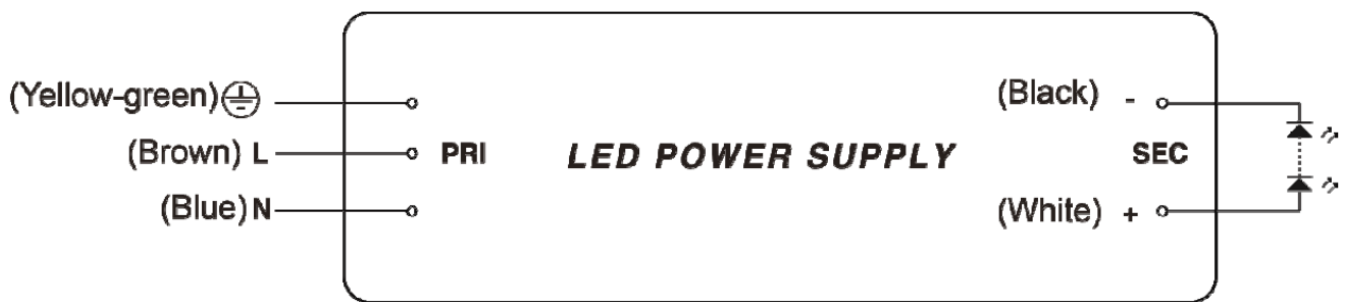
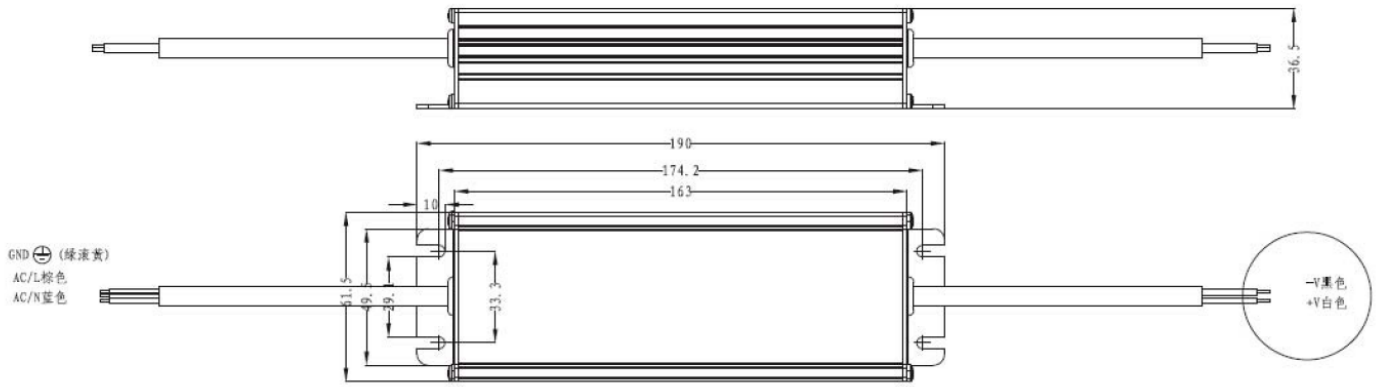
Marks / Approvals



Specifications

Image similar, variations possible

MODEL No.	PART No.	Voltage	Min. Load	Max. Load	Max. Power	Ripple & Noise
LED 12V150W-MM-IP67-EU	SPE150-12VLP	12 V	0.00 A	12.5 A	150 W	300 mV p-p
LED 24V150W-MM-IP67-EU	SPE150-24VLP	24 V	0.00 A	6.25 A	150 W	300 mV p-p
INPUT	Voltage	AC 200 V – 277 V				
	Frequency	50 Hz - 60 Hz				
	Current (rms max)	< 1 A				
	Power Factor	≥ 0.9				
PROTECTION	Overload	Yes, Auto Recovery				
	Overvoltage	Yes, Latch Off				
	Short Circuit	Yes, Auto Recovery				
	Over Temperature	Yes, temperature exceeding max. value at detection point				
	Inrush Current	< 75 A				
OTHERS	Cooling	Convection Cooling				
	Efficiency	≥ 90 %				
	Startup Time	< 0.5 s				
	Protection Marking	IP67 (IEC 60529)				
	Working Noise	< 35 dB, pickup at 10 cm				
	Protection Class	Class I				
	Case Material	Al				
Environment	Temperature	Operating: -40 °C to 60 °C / Max. Case Temperature: 90 °C				
	Humidity	Operating: 45 % RH to 85 % RH				
Lifetime	30 000 hrs at max. Ta, rated input voltage, output max. rated power					
SAFETY	IEC / EN 61347-1, IEC / EN 61347-2-13					
EMI	Compliance to EN 55015					
EMS	EN 61000-4-2, -3, -4, -5, -6, EN 61547					
Harmonic	EN 61000-3-2 Class C					
Case Dimensions	190 mm × 61.5 mm × 36.5 mm					



Mounting Location Dimension