



SUNPOWER TECHNOLOGY CORP.
 16F.-1, No.150, Jian 1st Rd., Zhonghe Dist., New Taipei City 235, Taiwan (R.O.C.)
 TEL: 886-2-8226-3100 FAX: 886-2-8226-3111
 http://www.sunpower.com.tw
 E-mail: sunpower@sunpower.com.tw

SPS-G050-Tx Series

50W, Triple Output



99 x 82 x 35 mm
 3.90 x 3.23 x 1.38 inch

Features:

- * Power ON with LED indicator
- * Built in EMI filter, low ripple noise
- * Over voltage protection : Shutdown and latch off
- * Over load & short circuit protection : Hiccup mode
- * 100% full load burn-in test
- * -20°C~70°C Operating temperature
- * UL, cUL, TUV, CB, CE approved
- * 3 years warranty

Specification:

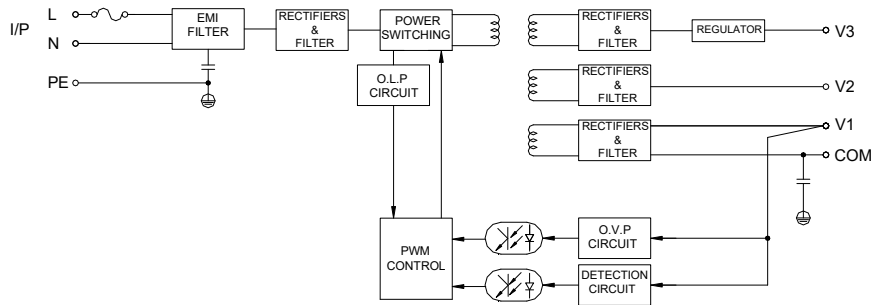
INPUT	Voltage	88V ~ 264VAC universal full range or 125V ~ 375VDC.								
	Frequency	47 ----- 63 Hz								
	Current	<1.3A@100V AC input, full load condition								
	Inrush Current (TYP.)	30A@115V , 50A@230V AC input, Cold start at 25°C ambient								
	Leakage Current	<0.75mA@264V AC input								
OUTPUT	MODEL No.	SPS-G050-T1			SPS-G050-T2			SPS-G050-T3		
	Output	V1	V2	V3	V1	V2	V3	V1	V2	V3
	Voltage	5V	12V	-12V	5V	12V	-5V	5V	12V	24V
	Min Load	0.5A	0.2A	0A	0.5A	0.2A	0A	0.5A	0.2A	0A
	Max Load	6A	2.5A	1A	6A	2.5A	1A	6A	2.5A	1.5A
	Output Tolerance ②	±3%	±6%	±5%	±3%	±6%	±5%	±3%	±6%	±8%
	Ripple Noise MAX. ③	70mV	120mV	150mV	70mV	120mV	120mV	70mV	120mV	200mV
	Efficiency (TYP.)	75%			75%			78%		
	Output MAX.	50W			50W			51W		
PROTECTION	Over Voltage	V1 : 5.8 ~ 7.0V : Shutdown and latch off, recover after re-start up.								
	Over Load & Short Circuit	When power supply over 105%~ 150% max load or short circuit acted, power supply will go into hiccup mode and recover automatically after the fault is removed.								
ELEC. CHAR.	Rise time	<30mS								
	Hold up time	>60mS@230V, full load condition								
	Setup time	<1 Sec@100 ~ 240V AC								
ENVIRONMENT	Temperature ④	Operating: -20 ~ +70°C ; De-rating: 50 ~ 70°C : 2.5%/°C ; Storage: -40 ~ +85°C								
	Humidity	Operating: 20% ~ 90% RH (non condensing) ; Storage: 10% ~ 95% RH (non condensing)								
	Altitude	6562 ft (≒ 2000 m) operating								
SAFETY	Withstand voltage	I/P-O/P:3KVAC, I/P-PE:1.5KVAC, O/P-PE:0.5KVAC, 1minute								
	Isolation resistance	I/P-O/P, I/P-PE, O/P-PE > 100MΩ/500VDC at 25°C / 70% RH								
	Safety standard	UL 60950-1 2 nd , CSA C22.2 No. 60950-1-07 2 nd , TUV EN 60950-1:2006+A11+A12+A2, IEC 60950-1:2005+A1+A2, approved								
EMC	EMI	EN 55032 CLASS B, FCC CFR 47 PART 15 CLASS B, CNS 13438 CLASS B. Compliance to EN61000-3-2 CLASS A, EN61000-3-3								
	EMS	EN 55024 : EN 61000-4-2,3,4,5,6,8,11								
	Cooling	Natural cooling.								
OTHERS	M.T.B.F.	270K hours								
	Terminal pitch	7P / 8.25mm with plastic cover, 90 deg terminal optional (with MOQ)								
	Packing	N.W.: 0.4Kg / 1pc; 46pcs / 1.22 CUFT / 1 CTN								
	NOTE	① All measurements which not mentioned are based on 230VAC input, output Max at ambient 25°C / 70%RH ② Output tolerance included set up voltage, line regulation and load regulation. The regulation is measured at the condition : when any of output is with 20% ~ 100% max load and the rest of each outputs are with 60% max load , Each output could work within max load but must under total output max . ③ Ripple & noise are measured at 100~254VAC input with 10~50°C condition and 20MHz of bandwidth by using a 10" ~15" twisted pair-wire terminated with a 0.1uF & a 47uF parallel capacitor. ④ The operating temperature shall follow the de-rating curve in spec The output load may be requested for decreasing as de-rating curve in spec when low input voltage is under 100VAC. ⑤ The power supply is considered a component of end-equipment. The end-equipment must be re-confirmed whether comply with EMC directives.								



SUNPOWER TECHNOLOGY CORP.
 16F.-1, No.150, Jian 1st Rd., Zhonghe Dist., New Taipei City 235, Taiwan (R.O.C.)
 TEL: 886-2-8226-3100 FAX: 886-2-8226-3111
 http://www.sunpower.com.tw
 E-mail: sunpower@sunpower.com.tw

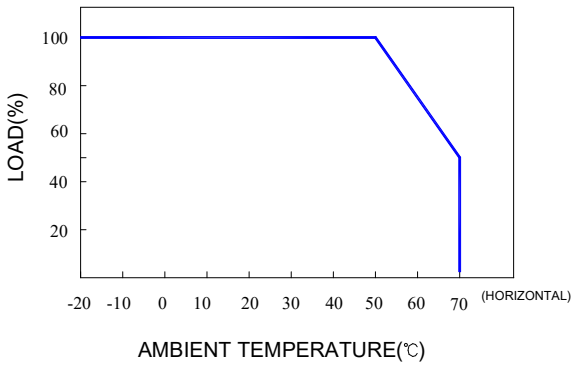
SPS-G050-Tx Series

Block Diagram : UT2

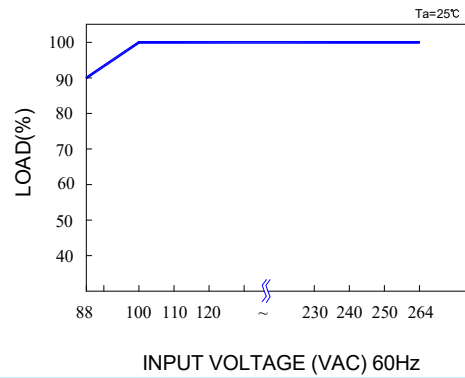


SPS-G050-T3 V3 without regulator

De-rating Curve :

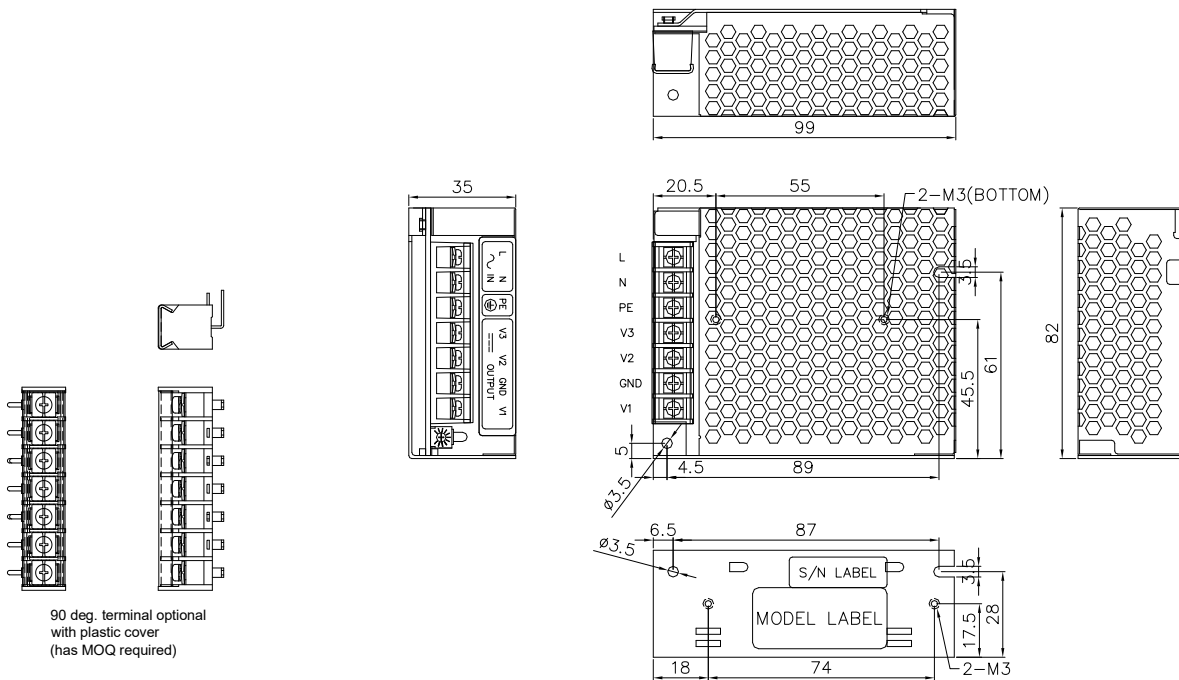


Output De-rating Vs Input Voltage :



Dimension:

(Unit: mm)



90 deg. terminal optional with plastic cover (has MOQ required)

Terminal Pin. No Assignment :

7P, PITCH 8.25mm WITH PC COVER							
MODEL No.	1	2	3	4	5	6	7
SPS-G050-Tx	L	N	PE	V3	V2	GND	V1