

Country of Origin : China
 Operating Temperature : 0~40 [°C]
 Dimension : 58 × 58 × 28 [mm] (for 30W model)
 65 × 65 × 28[mm] (for 45&60W models)
 Efficiency level (ErP) : VI



Approvals / Marks :



Specifications

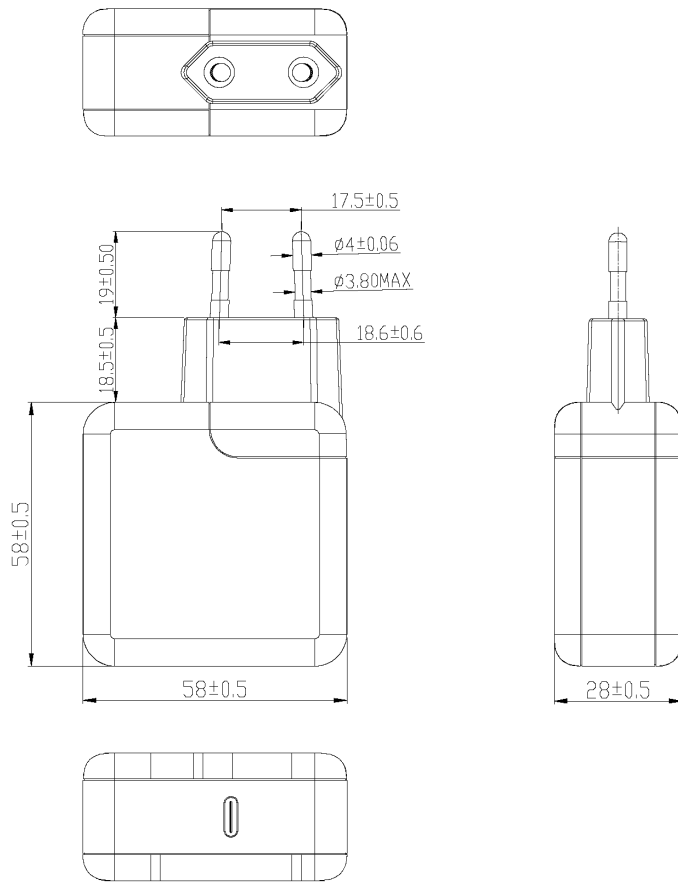
Model	Voltage DC/Loading [V/A]	Max. Power [W]	Ripple / Noise [mV] p-p	Connector
SYS1621-Type C 30	5V/3A, 9V/3A, 12V/2.5A, 15V/2A, 20V/1.5A	30	150	USB-C
SYS1621-Type C 45	5V/3A, 9V/3A, 12V/3A, 15V/3A, 20V/2.2A	45	150	USB-C
SYS1621-Type C 60	5V/3A, 9V/3A, 12V/3A, 15V/3A, 20V/3A	60	200	USB-C

Features:

PSU housing ready for use in country : Wxx = W2E - Europe
 Output connector: Regulated Output With Low Ripple Noise | Safety Agency Requirements and EMI/EMS Certified
 Private Label Marking Available | Modified and Custom Design Available | 2 Years Warranty | Power delivery

OUTPUT		CE	
Turn delay	5000 ms max @ AC low line input@output full load	EMC	2014/30/EU
Hold up time	10ms min@AC nominal input@output full load (>half cycle)	LVD	2014/35/EU EN 62368-1:2014+A11:2017
Efficiency (Normal)	Meet CEC,DOE,ERP,MEPS Level VI@115v/60HZ,230V/50HZ	SAFETY	
Transient response (dv,tmax)	0.4v dv max At AC nominal input loading from 50% load to max load or peak load 16ms tmax Dynamic rise time 10uS max , duty 40mS max , Dynamic load step is slew rate of 0.5A/uS	CE	
Power out.Limit	30-60W based on the model	OTHERS	
Burn in limit	Full load 2 Hours	Dielectric Strength(Hi-pot)	Primary to Secondary:3000VAC 10mA/60S
Power consumption	0.075W for Type C 30W and 45W 0.15W for Type C 60W	M.T.B.F	500,000 Calculated Hours at 25°C, by Telcordia SR-332
Output regulation	Auto-detect the charging voltage and current for Type C and iOS devices. Meet PD3.0,QC 3.0 requirements rules	DC output	Type C
INPUT		PLD (power line disturbance)	Line power surge Line voltage SAG-more info on request
Voltage	(90~264)VAC	Cooling method	Natural Convection Cooling
Frequency	(47~63)hz	Housing material	PC
Current	1.5A rms @ AC low line input and DC output full load	Temperature coefficient:	<±0.5%/°C
Inrush Surge Current (cold start)	40/60A max@power supply cold start,ambient temperature 25°C @115Vac/230Vac nominal AC input	ENVIRONMENT	
leakage current	0.25mA Max	Temperature	Operating: 0~40°C / Storage: -20~85°C
PROTECTION		Humidity	Operating: 8%~90%RH / Storage: 5%~95% RH non condens-ing
Over current/ Short protection	The power supply will self-protect any output to ground & auto recovery when abnormal circuit faults remove. An output short circuit is defined as any output impedance less than 0.1 ohms.	WEIGHT	
Over Voltage	The power supply will be auto recovered when faults remove	NW: 150g/pc	
Input protection	F1 2A/250V Fuse The power supply shall be protected against power line surges and any abnormal condition	GW: 16kg/box	
No Load protection	The power supply is provided with no load operation to prevent the power supply and system from damage.	PACKING	
Protection class	II	PE plastic bag	100 pcs /1 box

Mechanical case specification:



58 × 58 × 28 [mm] (for 30W model)

65 × 65 × 28 [mm] (for 45&60W models)